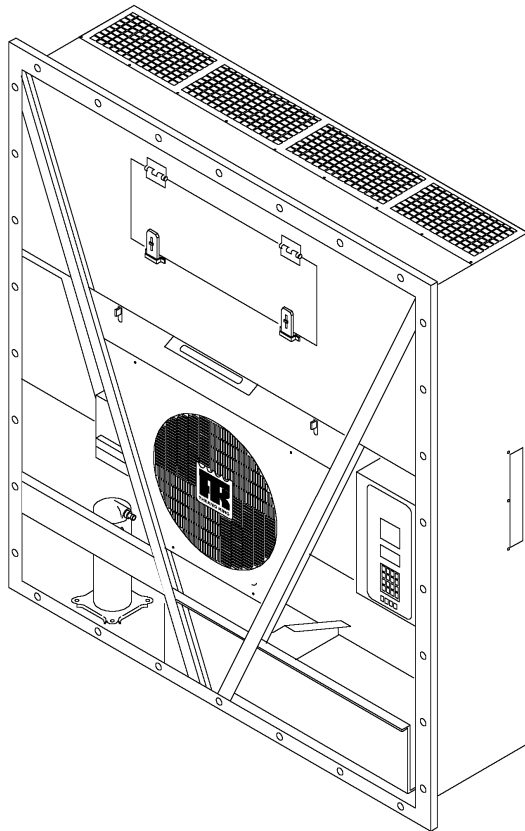


# MAGNUM

TK 51745-3.2



Printed (April 17, 2008)

Copyright © 2002 - Thermo King Corp. - Minneapolis, MN U.S.A.  
Electronically printed in U.S.A.

# General Information

## Tables of Contents

This Parts Manual contains a numerical table of contents listing each assembly name, its associated Grid number and page number. The numerical table of contents is arranged numerically by Grid number. There are references in a parts list referring to other Grid numbers, the numerical table of contents is arranged to facilitate finding the referenced illustrations. At the rear of this parts manual are two indexes, a numerical and alphabetical. The indexes contain all of the part numbers and descriptions which appear in this manual.

## Assemblies and Subassemblies

When parts are indented in the description list, they are preceded with a bullet ( • ). This indicates that the part(s) is available separately or included in an assembly.

### GRID NO. 67D6 SWITCH PANEL ASSEMBLY

REF	PART#	DESCRIPTION	QTY
	45-1239	PANEL - assy, switch	1
1	99-1960	• PANEL	1
	99-6280	• • NAMEPLATE - panel	1
2	33-743	• GASKET	1

For example: the switch panel nameplate (99-6280) is available separately, available as part of the switch panel (99-1960) and with the panel assembly (45-1239).

## ABBREVIATIONS

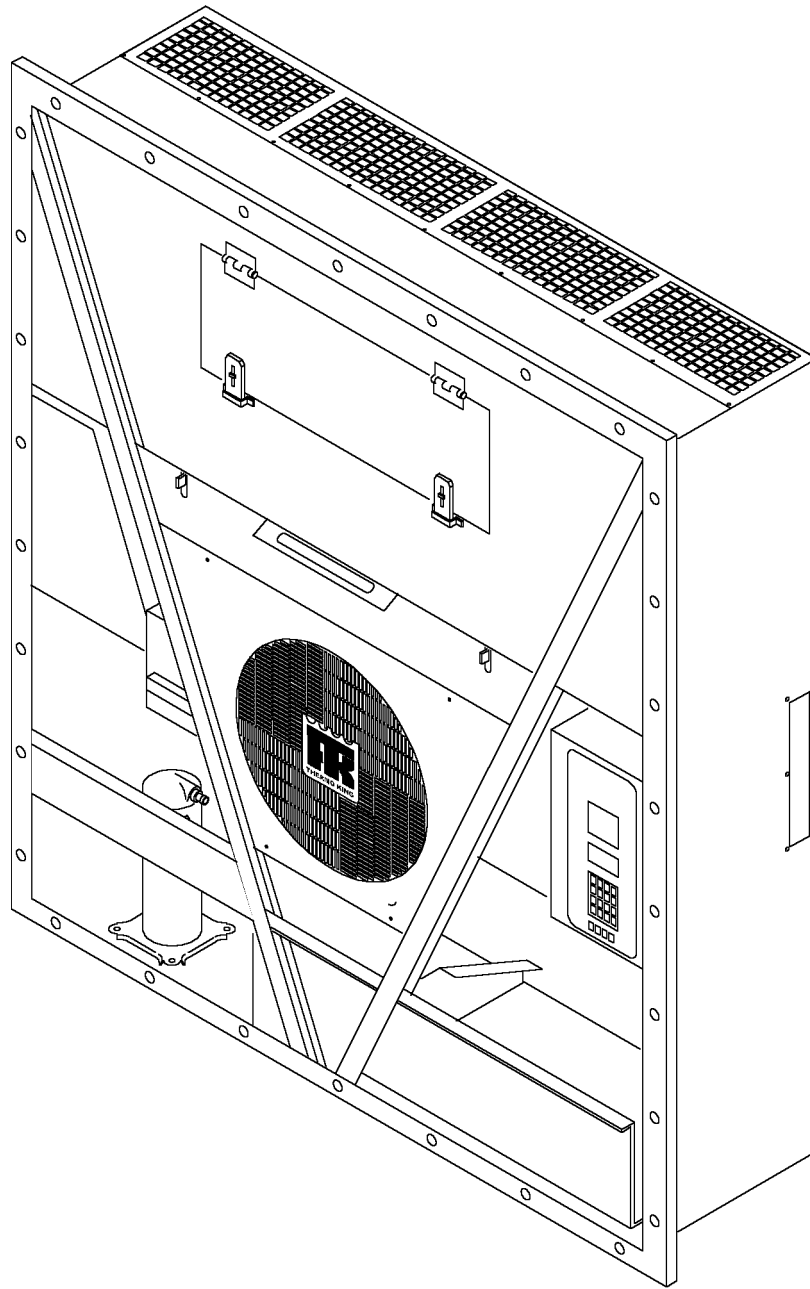
The following abbreviations appear in parts manuals

<b>A</b> AC . . . . . alternating current	<b>E</b> (continued)	<b>O</b> os . . . . . oversized
A/R . . . . . as required	evap. . . . . evaporator	od . . . . . outside diameter
accum . . . . . accumulator	exch . . . . . exchanger	<b>P</b> pcb . . . . . printed circuit board
adj . . . . . adjusting	exp . . . . . expansion	pkg . . . . . package
al . . . . . aluminum	ext . . . . . external	ph . . . . . phase
alt. . . . . alternator	<b>F</b> F . . . . . Fahrenheit	pos . . . . . positive
A or amp . . . . . ampere	fill . . . . . fillister	psi . . . . . pounds per square inch
assy . . . . . assembly	fi . . . . . fuel injection	
<b>B</b> bd . . . . . board	fl . . . . . flare	<b>R</b> rad . . . . . radiator
brg . . . . . bearing	fpt . . . . . female pipe thread	rcvr . . . . . receiver
brkr . . . . . breaker	ft . . . . . feet	ref . . . . . reference
brkt . . . . . bracket	ftg . . . . . fitting	reg . . . . . regulator
<b>C</b> C . . . . . Celsius	<b>H</b> hex . . . . . hexagon	req . . . . . required
cw . . . . . clockwise	hh . . . . . hexagon head	rpm . . . . . revolutions per minute
ccw . . . . . counter-clockwise	hd . . . . . head	<b>S</b> sec . . . . . second
cam . . . . . camshaft	hp . . . . . horsepower	sld . . . . . solder
compr . . . . . compressor	hsg . . . . . housing	soc hd. . . . . socket head
cond. . . . . condenser	<b>I</b> id . . . . . inside diameter	sol . . . . . solenoid
conn. . . . . connecting, connector	in . . . . . inch (2.54 centimeters)	spl . . . . . special
cyl . . . . . cylinder	incl . . . . . includes	sq . . . . . square
<b>D</b> def . . . . . defrost	inj . . . . . injection	ss . . . . . stainless steel
deg . . . . . degree	int . . . . . internal	std. . . . . standard
dehyd. . . . . dehydrator	int th . . . . . internal tooth	stl . . . . . steel
dia . . . . . diameter	<b>L</b> liq . . . . . liquid	suct. . . . . suction
DC . . . . . direct current	lg . . . . . long	sw . . . . . switch
disch . . . . . discharge	<b>M</b> mm . . . . . millimeter	<b>T</b> term . . . . . terminal
diff . . . . . differential	mpt . . . . . male pipe thread	temp . . . . . temperature
<b>E</b> EMI . . . . . Extended	mod . . . . . modulating	thk. . . . . thick
. . . . . Maintenance Interval	<b>N</b> neg . . . . . negative	<b>U</b> us . . . . . undersize
EEC . . . . . European Economic Community	No. . . . . number	<b>V</b> vib . . . . . vibrasorber
eng . . . . . engine	NS . . . . . not supplied	<b>W</b> W . . . . . watt
	NSS . . . . . not sold separately	w/ . . . . . with
		w/o . . . . . without

# MAGNUM

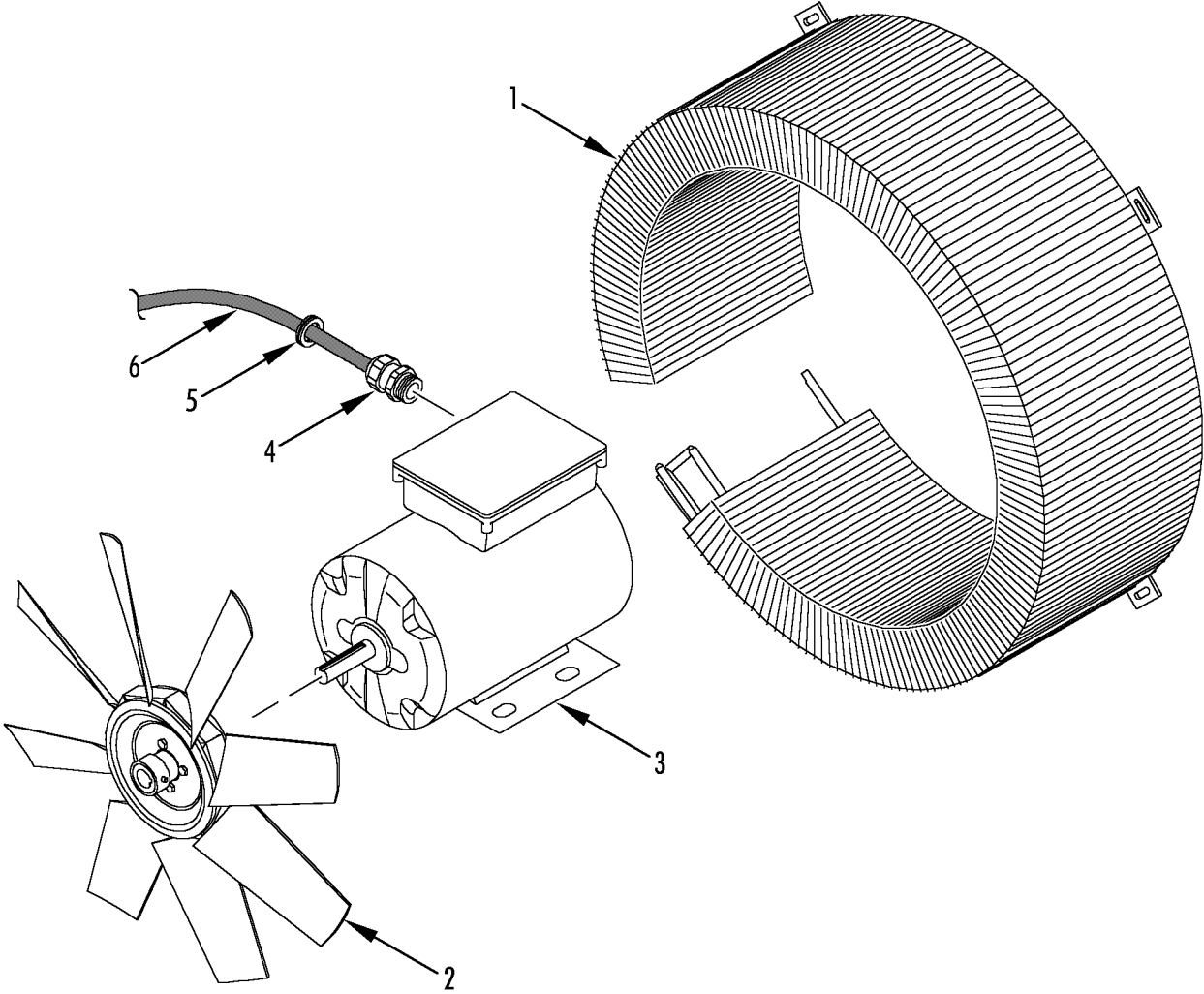
## Contents

Name	Grid	Page
MAGNUM REFERENCE SHEET .....	7U94.....	3
AIR VENT (40 FT CONTAINERS).....	143D7.....	79
RECORDING THERMOMETER - 31 DAY FAHRENHEIT .....	147B2.....	53
RECORDING THERMOMETER (OPTION 098026 & 098030).....	147B8.....	49
RECORDING THERMOMETER (OPTION 098026) .....	147B9.....	55
TRANSFORMER GROUP (098024, 098040, 098041, 098043, 098071, 098123, 098128) .....	148G2.....	47
WATER COOLED CONDENSER .....	154E13.....	29
AIR VENT (20 FT CONTAINERS).....	157D9.....	83
USDA DOWNLOAD PANEL (CANNON CONNECTORS) .....	157H2.....	61
HIGH VOLTAGE TRAY .....	158A1.....	41
REMOTE MONITOR OPTION (098182 CSR; 098144 CRR; 098182 CSR) .....	158A5.....	59
GAUGE GROUP (OPTION 098140) .....	158B4.....	31
AFAM MP3000 (OPTION 098166) .....	158H7.....	85
USDA DOWNLOAD PANEL (3-PIN DEUTSCH CONNECTORS) .....	160F3.....	63
EVAPORATOR PANELS.....	160G6.....	89
DEFROST DRAIN .....	173B6.....	91
REFRIGERATION COMPONENTS .....	180D0.....	13
CONDENSER FAN GROUP .....	180D8.....	5
EVAPORATOR FAN GROUP (MAGNUM 40).....	180D9.....	7
COMPRESSOR GROUP (SERVICE VALVES) .....	180E1.....	27
ELECTRICAL COMPONENTS .....	180E2.....	33
CONTROL BOX.....	180E3.....	37
NAMEPLATES.....	180E6.....	95
CONTROL BOX DOOR (MP3000-A w/ RMM) .....	183B5.....	43
EVAPORATOR FAN GROUP (THREE FANS).....	183B6.....	11
CONDENSER COMPONENTS (20 ft CONTAINER, THREE FANS) .....	183B7.....	71
REFRIGERATION COMPONENTS (WCC, SERVICE VALVES) .....	189B9.....	23
CONDENSER COMPONENTS.....	189C2.....	67
DEFROST DRAIN .....	189C4.....	93
REFRIGERATION COMPONENTS (SERVICE VALVES) .....	189D5.....	17
USDA DOWNLOAD PANEL (4-PIN DEUTSCH CONNECTORS) .....	189D7.....	65
AIR VENT (40 FT CONTAINERS).....	191B6.....	81
ELECTRONIC CHART RECORDER.....	212G9.....	57
AIR VENT (AFAM MP3000) .....	213D3.....	87
DOWNLOAD CABLES .....	226E2.....	45
CONDENSER COMPONENTS (11/05 & after).....	226E3.....	75



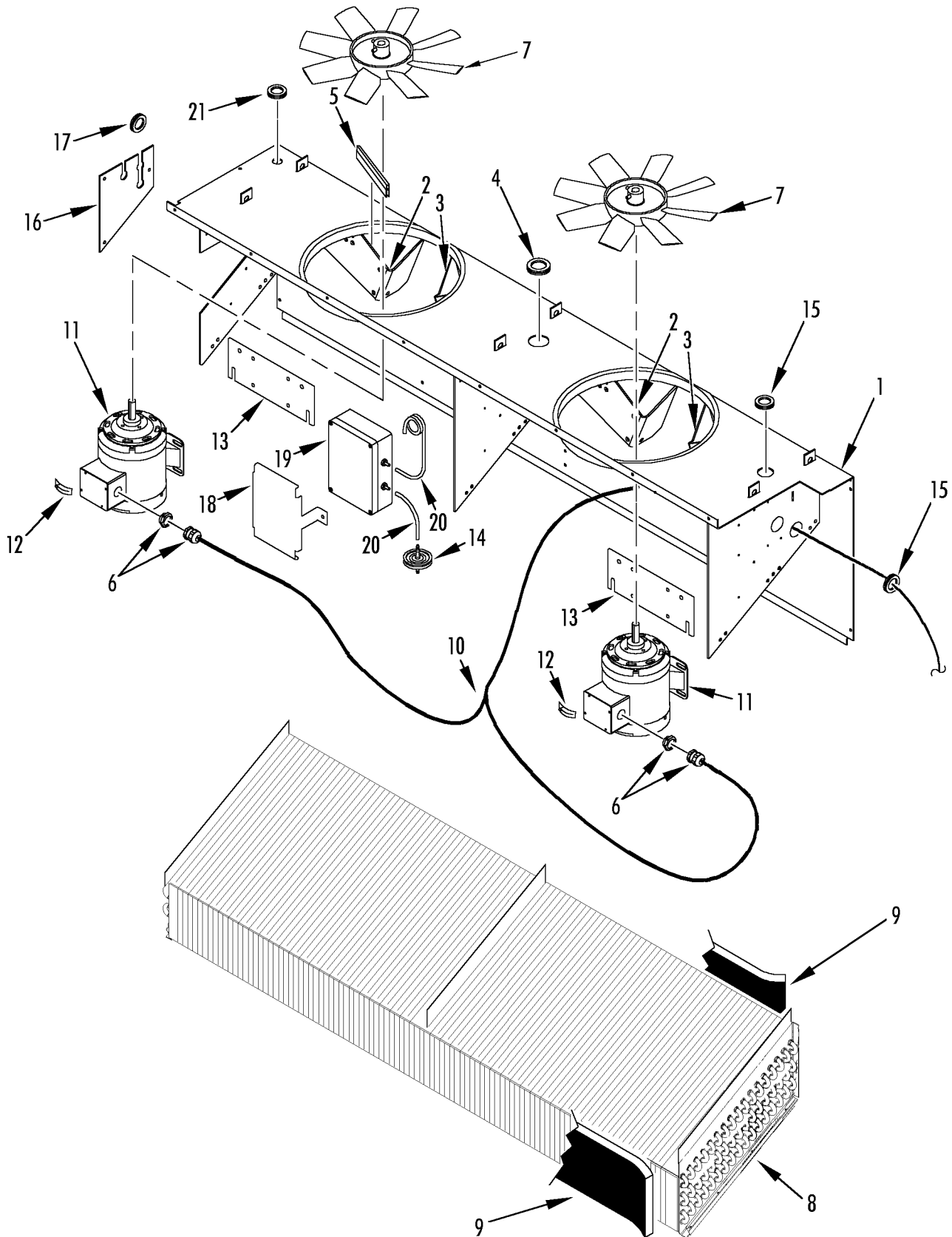


<b>B/M</b>	<b>DESCRIPTION</b>	<b>Date</b>
098916	MAGNUM 20	11/02
098922	MAGNUM 40	11/02
098924	MAGNUM - 924	1/08
098525	MAGNUM 40 w/ AFAM+	11/02
098528	MAGNUM	11/02
098934	MAGNUM 40 SL	11/02
098540	MAGNUM	2/06
098546	MAGNUM	2/06
098547	MAGNUM	2/06
098552	MAGNUM	2/06
098553	MAGNUM	2/06
098554	MAGNUM	2/06





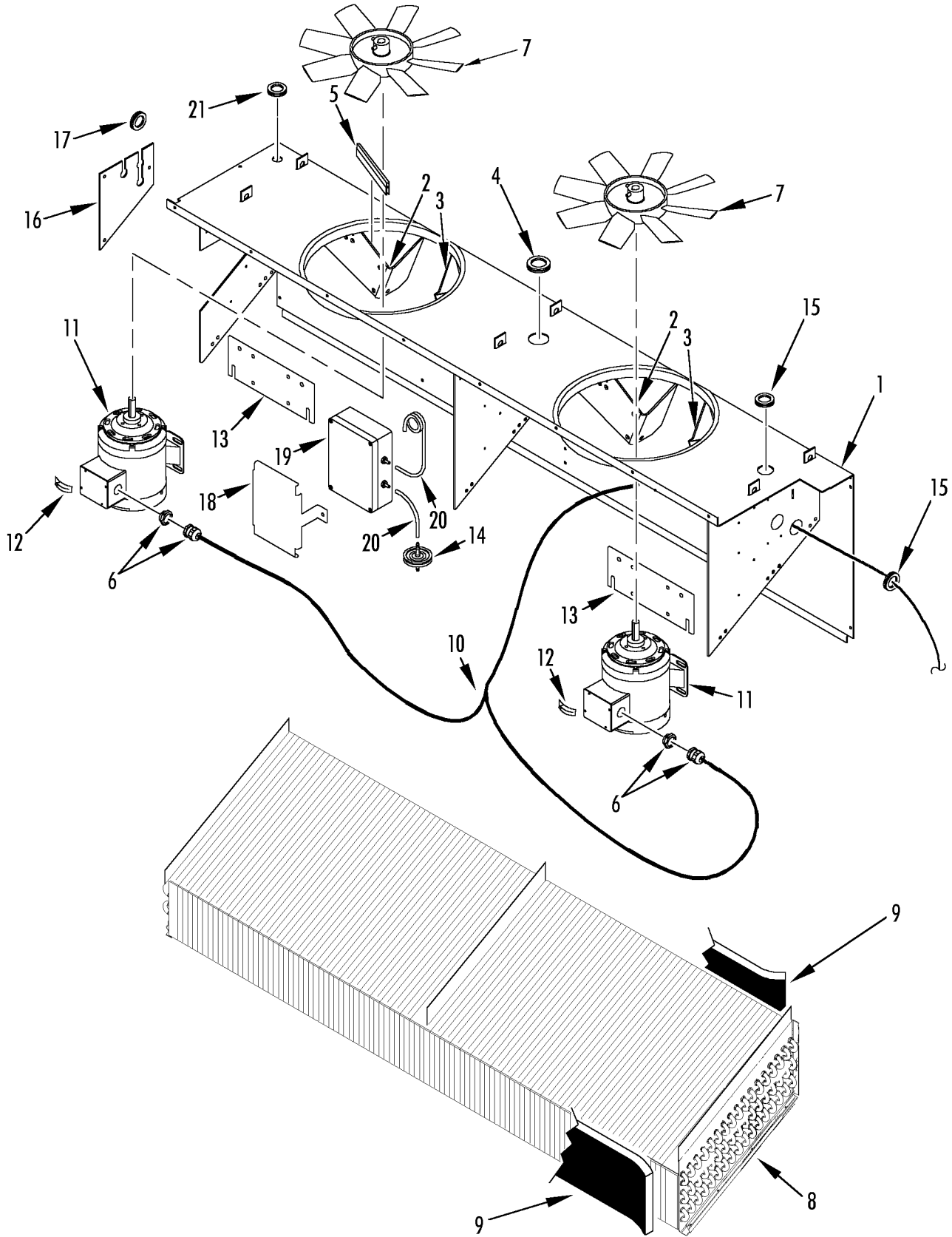
REF	PART#	DESCRIPTION	QTY
1	60-285	COIL - condenser	1
	33-2950	GASKET (10 x 15 mm)	A/R
	51-1442	SCREW - coil	7
	51-1444	FLATWASHER	7
	55-9054	WASHER (nylon)	7
2	78-1167	FAN - condenser (21.6 in, 500 mm dia, 30 deg pitch, 8 blade)	1
3	104-697	MOTOR - condenser fan (0.75 hp)	1
	77-1498	• BEARING - shaft end	1
	77-1401	• BEARING - opposite end	1
	51-1443	SCREW - motor	4
	51-1444	FLATWASHER	8
	51-1429	LOCKWASHER	4
	51-1427	NUT	4
4	55-5900	GRIP - cable	1
5	33-367	GROMMET	1
6	41-2953	HARNESS - condenser fan	1





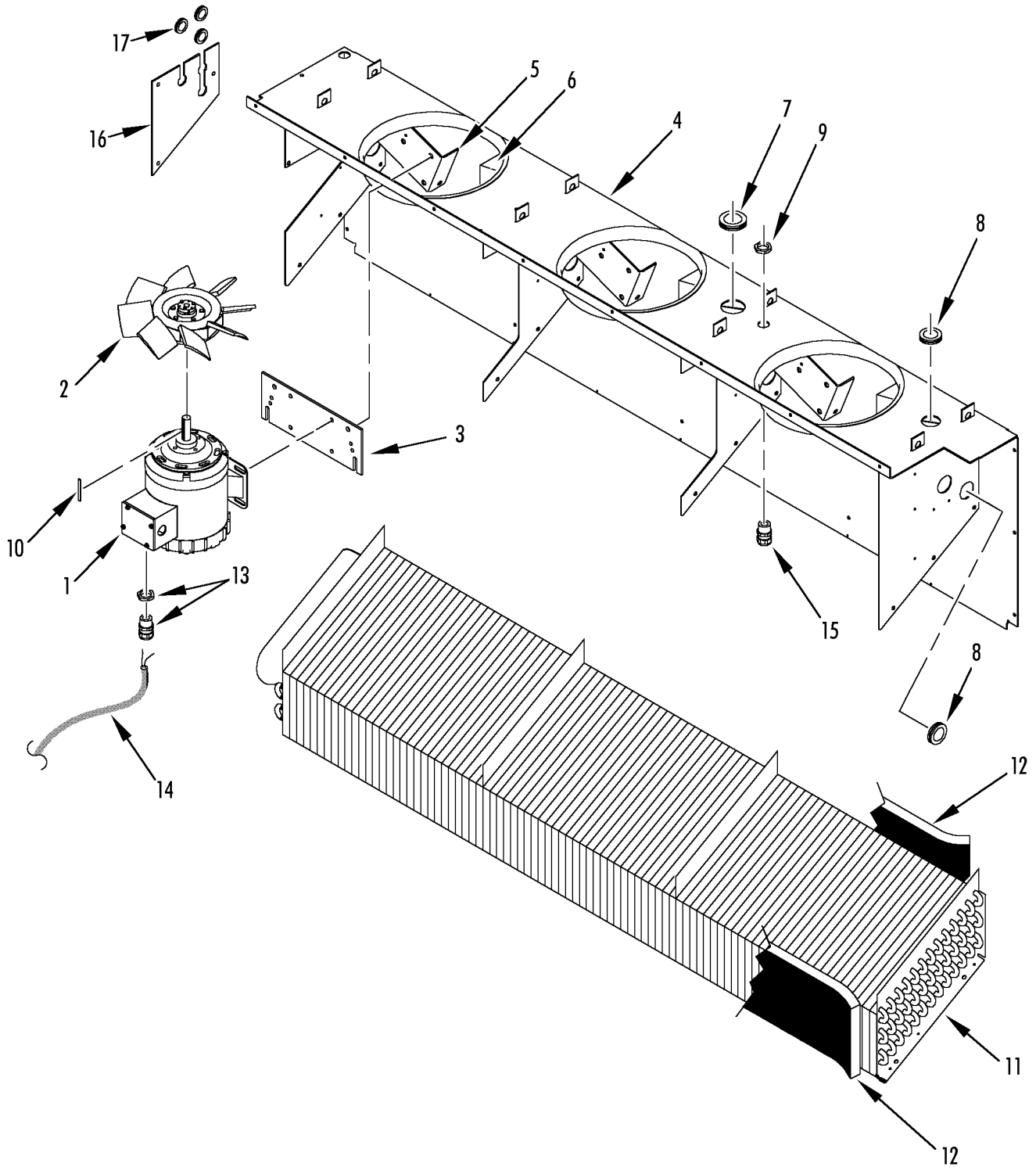


REF	PART#	DESCRIPTION	QTY
1	98-6562	HOUSING - evaporator (12 in, 312 mm dia)	1
	98-6566	HOUSING - evaporator (14 in, 355 mm dia fans)	1
2	92-2779	• BRACKET - motor (left)	2
3	92-2332	• BRACKET - motor (right)	2
	55-9162	RIVET - housing	10
4	33-3215	GROMMET (47 mm)	1
5	33-3044	TRIM - edge guard	A/R
6	55-5900	CONNECTOR - harness & sensor	2
7	78-1117	FAN - evaporator (14 in, 355 mm dia, ccw, 8 blade)	2
	78-1349	FAN - evaporator (12 in, 312 mm dia, ccw, 6 blade)	2
	78-1524	FAN - evaporator (top air, 14 in, 355 mm dia, cw, 8 blade)	2
8	NSS	COIL - evaporator (see Refrigeration Group)	1
	55-8891	SCREW - coil	9
	55-9217	CAP - screw	3
9	91-9328	BLOCK - coil	2
10	41-4018	HARNESS - evaporator fan (MAGNUM)	1
	41-3685	HARNESS - evaporator fan (MAGNUM SL-40)	1
11	104-758	MOTOR - fan	2
	77-1498	• BEARING - shaft end	1
	77-1401	• BEARING - opposite end	1
	51-1443	SCREW - motor	8
	55-7066	LOCKWASHER (external tooth)	2
	55-7342	LOCKWASHER	6
	55-7085	FLATWASHER	8
	92-425	NUTSTRIP	4
12	99-4931	NAMEPLATE - Arrow	1
13	91-8466	BRACKET - motor	2
	55-8559	SCREW - bracket	8
	51-1444	FLATWASHER	16
	51-1429	LOCKWASHER	8
	55-7339	NUT	8
14	92-458	FILTER - gas sensor	1
15	33-2946	GROMMET (37 mm)	6
16	92-2775	COVER - tube	1
	55-7172	SCREW - cover	3
	55-8877	WASHER (nylon)	3
	55-7075	FLATWASHER	3
17	33-367	GROMMET	3
18	92-456	BRACKET - sensor	1
	55-7035	SCREW - sensor	2
	55-7075	FLATWASHER	2
	55-8877	WASHER - insulating	2



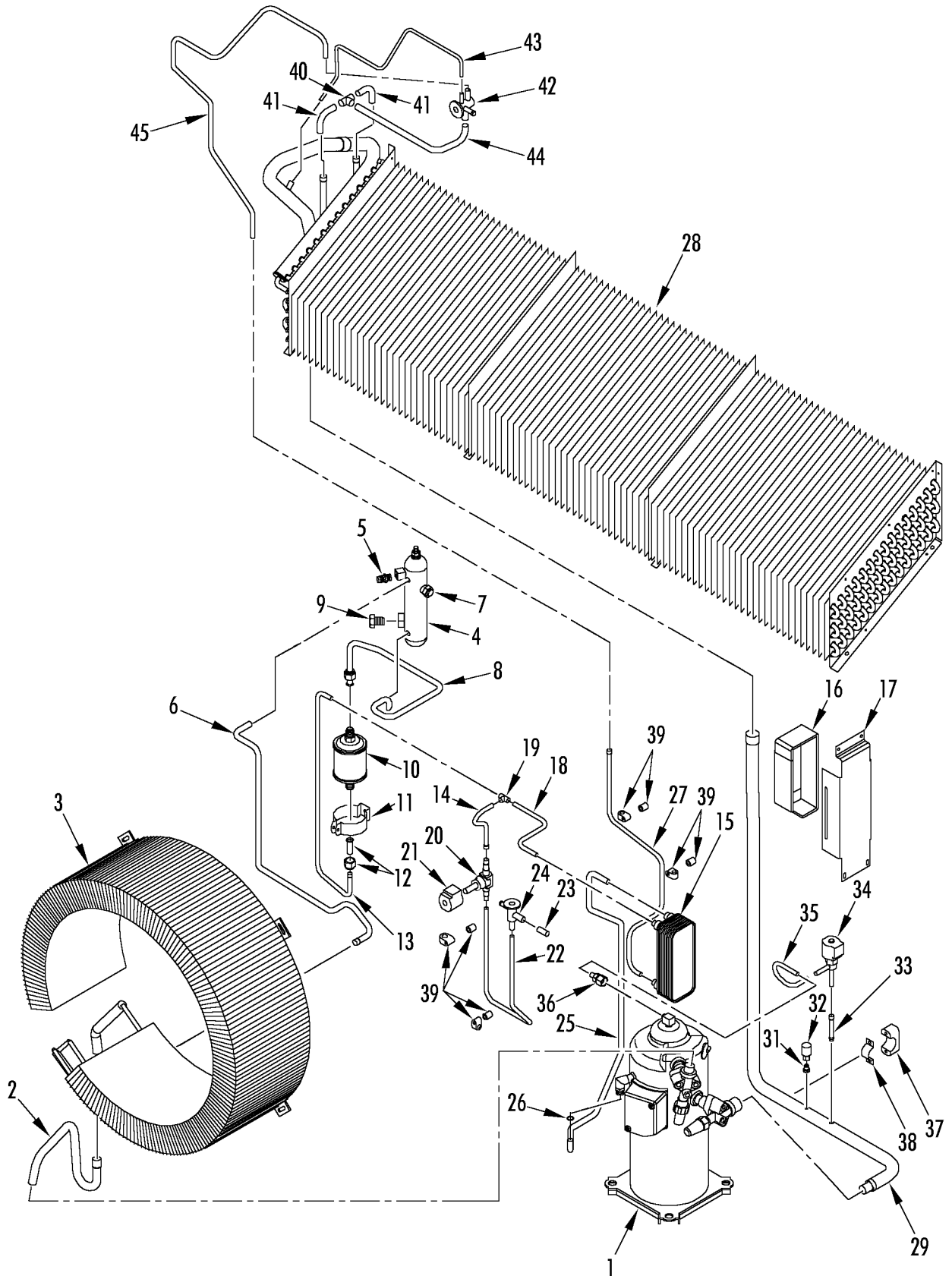


REF	PART#	DESCRIPTION	QTY
	92-2587	NUTSTRIP - bracket	1
19	41-3409	SENSOR - gas (O2/CO2)	1
	41-5814	SENSOR - gas (CO2 only)	1
20	11-4367	HOSE - sensor (1/4 od x 35 ft lg)	A/R
21	33-3838	GROMMET (22 mm)	1



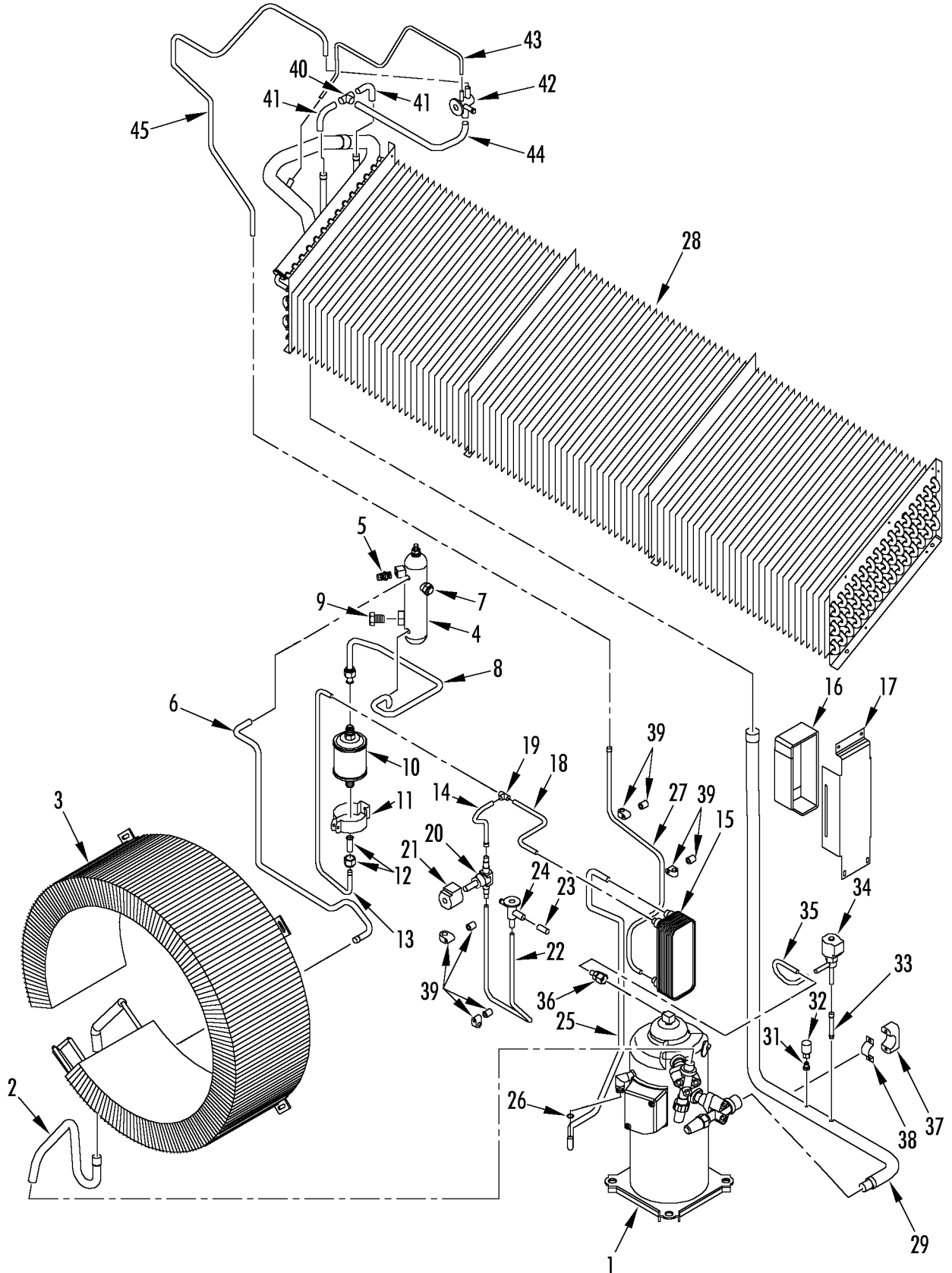


REF	PART#	DESCRIPTION	QTY
1	104-758	MOTOR - fan	3
	77-1498	• BEARING - shaft end	1
	77-1401	• BEARING - opposite end	1
	55-6993	SCREW - motor (25 mm)	12
	55-8903	SCREW - motor (22 mm)	12
	55-8904	FLATWASHER	12
	55-8805	LOCKWASHER	15
	55-7339	NUT	12
	55-8986	INSERT - threaded	12
2	78-1196	FAN - evaporator (10 in, 254 mm dia)	3
3	91-8466	BRACKET - motor	3
	55-8903	SCREW - bracket	12
	55-6988	FLATWASHER	21
4	98-6564	BRACKET - motor mount	1
5	92-2790	• BRACKET - motor	3
6	92-2791	• BRACKET - motor	3
	55-8891	SCREW - bracket	17
7	33-3215	GROMMET (47 mm)	1
8	33-2946	GROMMET (37 mm)	7
9	33-3838	GROMMET (22 mm)	1
10	55-2324	KEY - fan	3
11	67-1922	COIL - evaporator	1
	55-8891	SCREW - coil	18
	55-7342	LOCKWASHER	18
	55-7066	FLATWASHER	6
	55-9217	CAP - screw	9
12	91-9328	BLOCK - coil	2
13	55-8907	CONNECTOR - harness	3
	55-8908	NUT	3
14	41-4002	HARNESS - evaporator fan	1
15	51-270	CONNECTOR - grip (sensor)	1
16	92-2778	COVER - tube	1
	55-7172	SCREW - cover	3
	55-8872	WASHER (nylon)	3
	55-7075	FLATWASHER	3
17	33-367	GROMMET	3





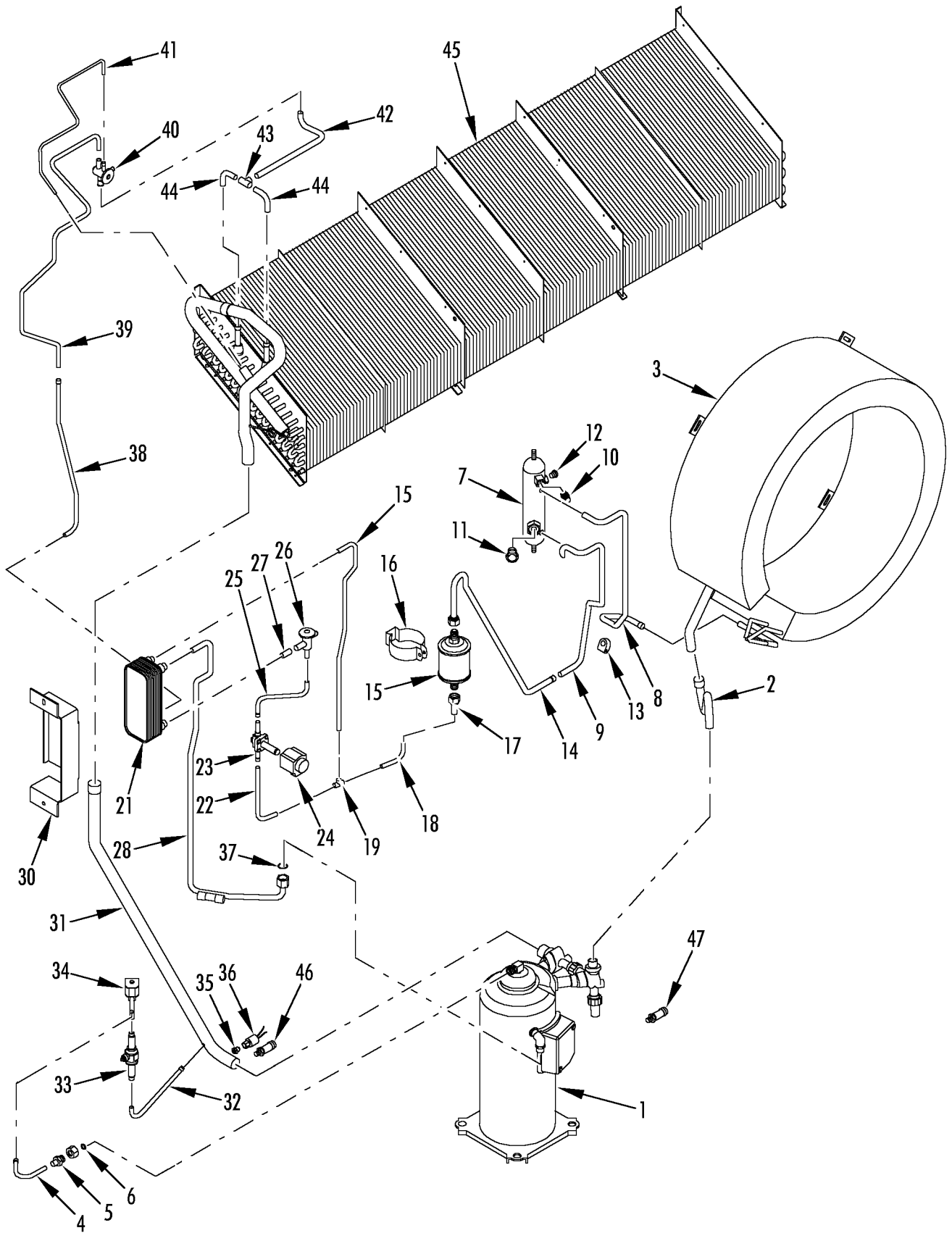
REF	PART#	DESCRIPTION	QTY
1	102-795	COMPRESSOR - scroll (see 180E1)	1
2	66-9181	TUBE - valve to coil (units w/ valves)	1
	61-175	TUBE - flange to coil (units w/ flanges)	1
3	60-285	COIL - condenser	1
	55-7035	SCREW - coil	8
	51-167	FLATWASHER	7
	55-9054	WASHER	8
4	67-1890	TANK - receiver	1
5	66-7812	• FITTING - high side	1
	66-7182	•• CAP - fitting	1
6	61-1852	• TUBE - coil to receiver tank	1
7	506-364	• PLUG - fusible	1
8	61-1853	• TUBE - tank to dehydrator	1
9	66-8811	• INDICATOR - liquid	1
	33-3007	• O-RING	1
10	61-786	DEHYDRATOR (o-ring seal)	1
	33-3007	O-RING	2
11	55-4390	HANGER - dehydrator	1
	55-8316	SCREW - hanger	1
	55-7075	FLATWASHER	2
	55-7042	NUT	1
12	61-1848	TUBE - filter	1
	55-302	NUT - filter	1
13	61-1844	TUBE - dehydrator to tee	1
14	61-1845	TUBE - tee to valve	1
15	67-1889	HEAT EXCHANGER - economizer	1
16	92-2588	BRACKET - exchanger	1
17	92-2589	COVER - exchanger	1
	55-6994	SCREW - cover	2
	55-7075	FLATWASHER	4
	55-7042	NUT	2
18	61-1843	TUBE - tee to exchanger	1
19	55-3251	TEE (3/8)	1
20	41-5103	VALVE - solenoid (vapor injection)	1
21	41-3301	COIL - valve	1
22	61-1846	TUBE - valve to expansion	1
23	61-1847	TUBE - expansion valve to tee	1
24	66-9906	VALVE - expansion (economizer)	1
25	61-1849	TUBE - liquid injection	1
	55-8951	SHOULDER	1
	55-8950	NUT - o-ring seal	1

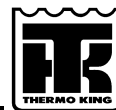




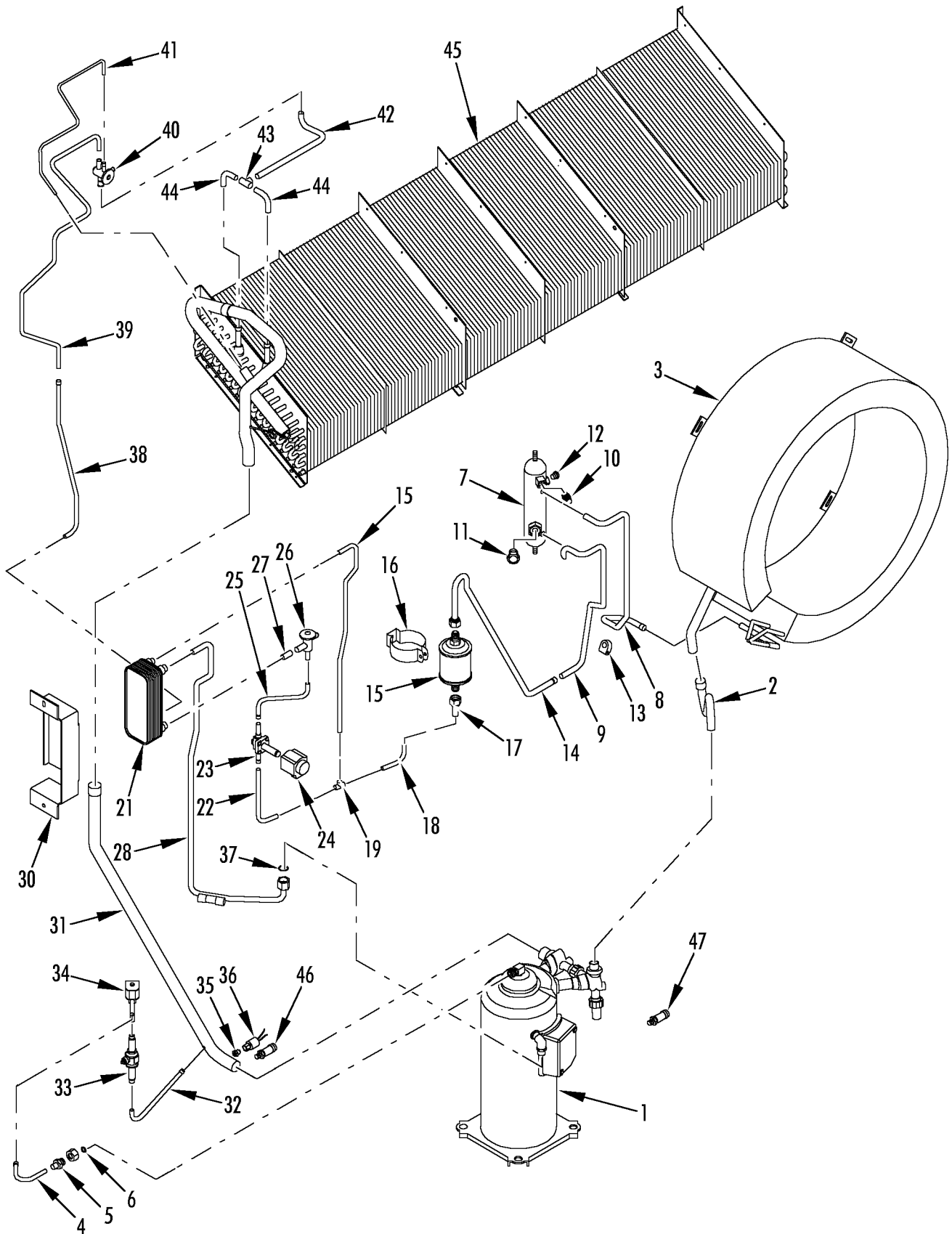


REF	PART#	DESCRIPTION	QTY
26	33-566	O-RING	1
27	61-1850	TUBE - valve to evaporator	1
28	67-1923	COIL - evaporator (14.7/374 wide, MAGNUM)	1
	67-1921	COIL - evaporator (13.0/330 wide, MAGNUM SL-40)	1
	67-1922	COIL - evaporator (11.3/286 wide, MAGNUM SL-20)	1
	55-6993	SCREW (25 mm)	8
	55-9541	FLATWASHER (8.4 mm)	14
	55-6988	FLATWASHER (8.4 mm id)	14
29	61-2117	TUBE - coil to valve (units w/ service valves)	1
	61-1839	TUBE - coil to flange (units w/ flanged compressor)	1
30	Not Used		
31	66-874	FITTING - flare	1
	66-6607	FITTING - low side	1
	66-7183	• CAP - charge port (blue)	1
	66-8054	ADAPTER	1
32	41-4473	SWITCH - lpco	1
33	61-1840	TUBE - suction to valve	1
34	61-2057	VALVE - digital	1
35	61-2058	TUBE - valve to compressor	1
36	61-2162	ADAPTER - compressor	1
37	91-4774	CLAMP - suction tube	1
38	91-1779	CLAMP - strap	1
	55-7027	SCREW - clamp	2
	55-7075	FLATWASHER	2
39	55-6388	CLAMP - tube (3/8)	3
	91-759	CLAMP - tube (1/2)	1
	55-8915	SPACER (18 mm)	4
	55-7029	SCREW - clamp (65 mm)	2
	55-8993	SCREW - clamp (50 mm)	2
	55-9027	WASHER (nylon)	2
40	55-2296	TEE (1/2)	1
41	61-2051	TUBE - tee to distributor	2
42	61-443	VALVE - expansion	1
43	61-2048	TUBE - equalizer	1
	61-2054	TUBE - equalizer (MAGNUM 20)	1
44	61-2049	TUBE - expansion valve to tee	1
	61-2052	TUBE - expansion valve to tee (MAGNUM 20)	1
45	61-2050	TUBE - expansion valve to inlet	1
	61-2053	TUBE - expansion valve to inlet (MAGNUM 20)	1



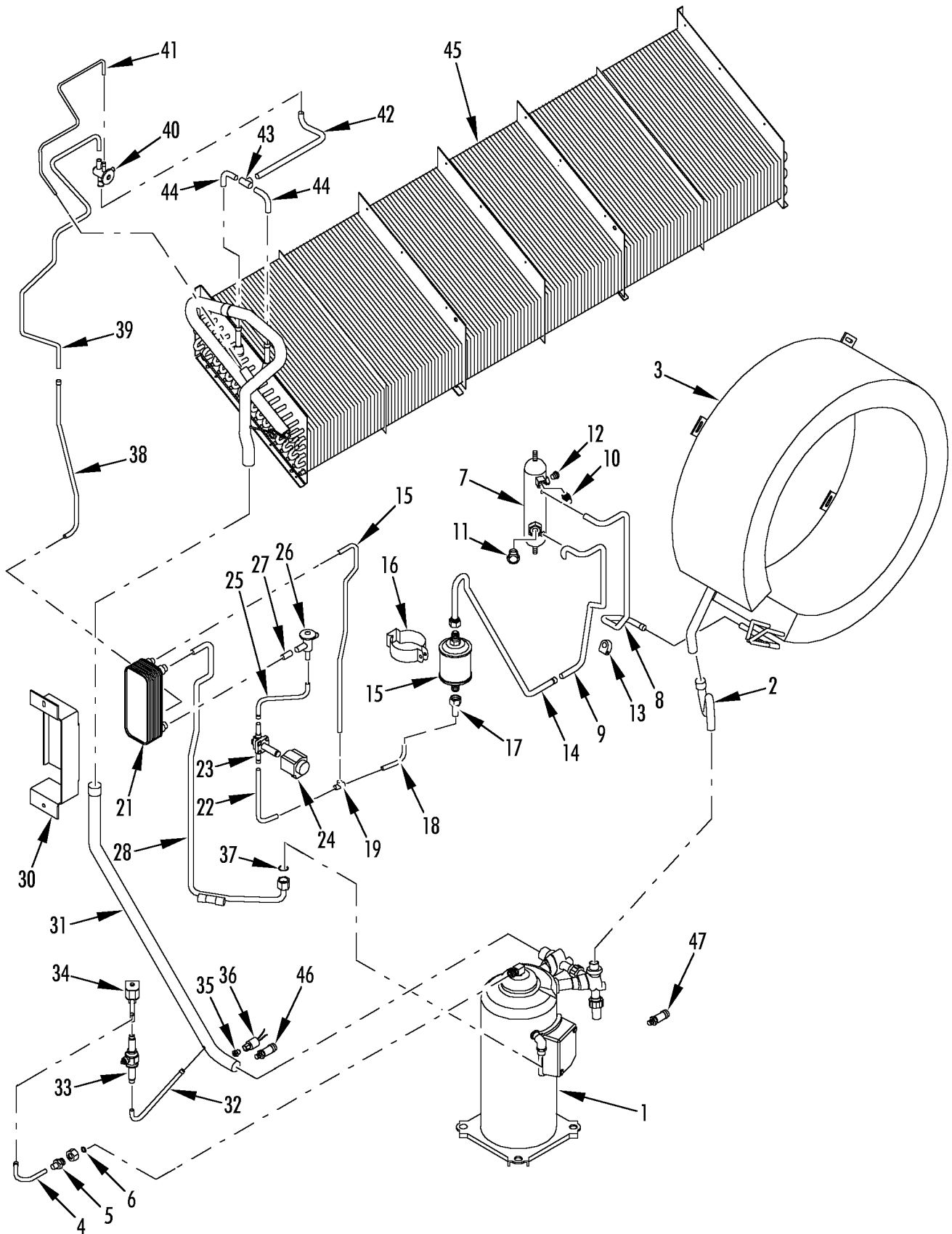


REF	PART#	DESCRIPTION	QTY
1	102-795	COMPRESSOR - scroll (see 180E1)	1
	92-2229	SPACER - compressor	1
2	61-2477	TUBE - valve to coil	1
3	60-285	COIL - condenser	1
4	61-2467	TUBE - valve to coil	1
5	61-2162	ADAPTER - compressor	1
6	33-3912	SEAL - teflon fiber	1
7	67-1991	TANK - receiver	1
8	61-2238	• TUBE - receiver to dehydrator	1
9	61-2569	• TUBE - receiver to condenser	1
10	66-7812	CAP - fitting	1
	66-7182	• CAP - fitting	1
11	66-8811	INDICATOR - liquid	1
	33-3007	O-RING	1
12	506-364	PLUG - fusable	1
	51-273	NUT - receiver tank	2
	55-9027	WASHER - insulating	4
	55-7347	LOCKWASHER	2
13	55-6730	CLAMP - tube	2
	55-7372	SCREW - clamp	1
	55-7075	FLATWASHER	2
	55-7042	NUT	1
14	61-2475	TUBE - receiver to dehydrator	1
	203-454	MASTIC - heat transfer	A/R
15	61-786	DEHYDRATOR	1
16	55-4390	CLAMP - dehydrator	1
	55-8464	SCREW - clamp	1
	51-167	FLATWASHER	1
	55-9054	WASHER - insulating	1
	55-8316	SCREW - dehydrator	1
	55-7075	FLATWASHER	2
	55-7042	NUT	1
17	61-1848	TUBE - filter	1
18	61-2473	TUBE - filter to tee	1
19	55-3251	TEE	1
20	61-2471	TUBE - tee to exchanger	1
21	67-1889	HEAT EXCHANGER - economizer	1
	92-3547	INSULATION - heat exchanger	1
22	61-2472	TUBE - tee to valve	1
	91-758	CLAMP - tube	1
	55-9912	SCREW - clamp	1
	55-7075	FLATWASHER	2



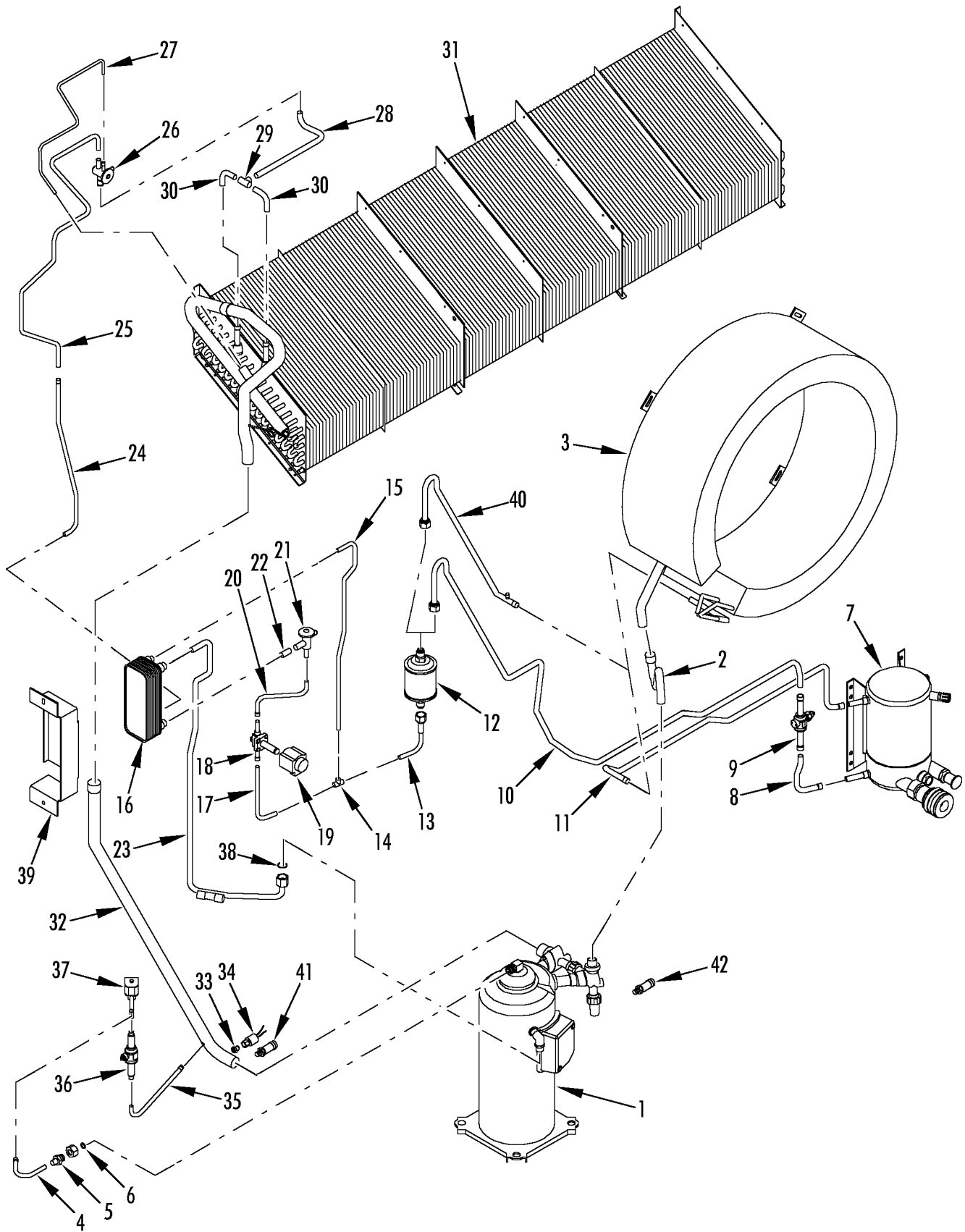


REF	PART#	DESCRIPTION	QTY
	55-8915	SPACER	1
23	61-2470	VALVE - solenoid (vapor injection)	1
24	41-5460	COIL - valve	1
25	61-2469	TUBE - valve to expansion	1
26	66-9906	VALVE - expansion (economizer)	1
27	61-1847	TUBE - expansion valve to exchanger	1
28	61-2474	TUBE - liquid injection	1
	55-8951	SHOULDER	1
	55-8950	NUT - o-ring seal	1
	92-3548	INSULATION - tube (24.5 in lg)	1
	92-3549	INSULATION - tube (19.0 in lg)	1
	91-1800	CLAMP - tube	2
	55-7372	SCREW - clamp	1
	55-7042	NUT	1
29	61-2476	TUBE - tx bulb	1
30	92-3391	BRACKET - heat exchanger	1
	92-3550	INSULATION - mylar	1
31	61-2464	TUBE - suction (before 4/05)	1
	61-3502	TUBE - suction (4/05 & after)	1
	92-3551	INSULATION - tube (42.1 in lg)	1
	92-3552	INSULATION - tube (5.5 in lg)	1
32	61-2466	TUBE - suction to ball valve	1
33	61-2465	VALVE - ball	1
34	61-2057	VALVE (PWM)	1
35	66-874	FITTING - flare	1
	66-6607	FITTING - low side	1
	66-7183	• CAP - charge port (blue)	1
	66-8054	ADAPTER	1
36	41-4473	SWITCH - lpco	1
37	33-566	O-RING	1
38	61-2468	TUBE - heat exchanger to evaporator	1
	92-3553	INSULATION - tube (14.1 in lg)	1
39	61-2050	TUBE - exchanger to coil (#2)	1
40	61-443	VALVE - expansion	1
	92-2228	SPACER - clamp	1
	55-6388	CLAMP - valve	1
	55-9759	SCREW - clamp	1
	55-8316	SCREW - dehydrator clamp	1
	55-7075	FLATWASHER	2
	55-7042	NUT	1
41	61-2048	TUBE - equalizer	1
42	61-2049	TUBE - expansion valve to tee	1





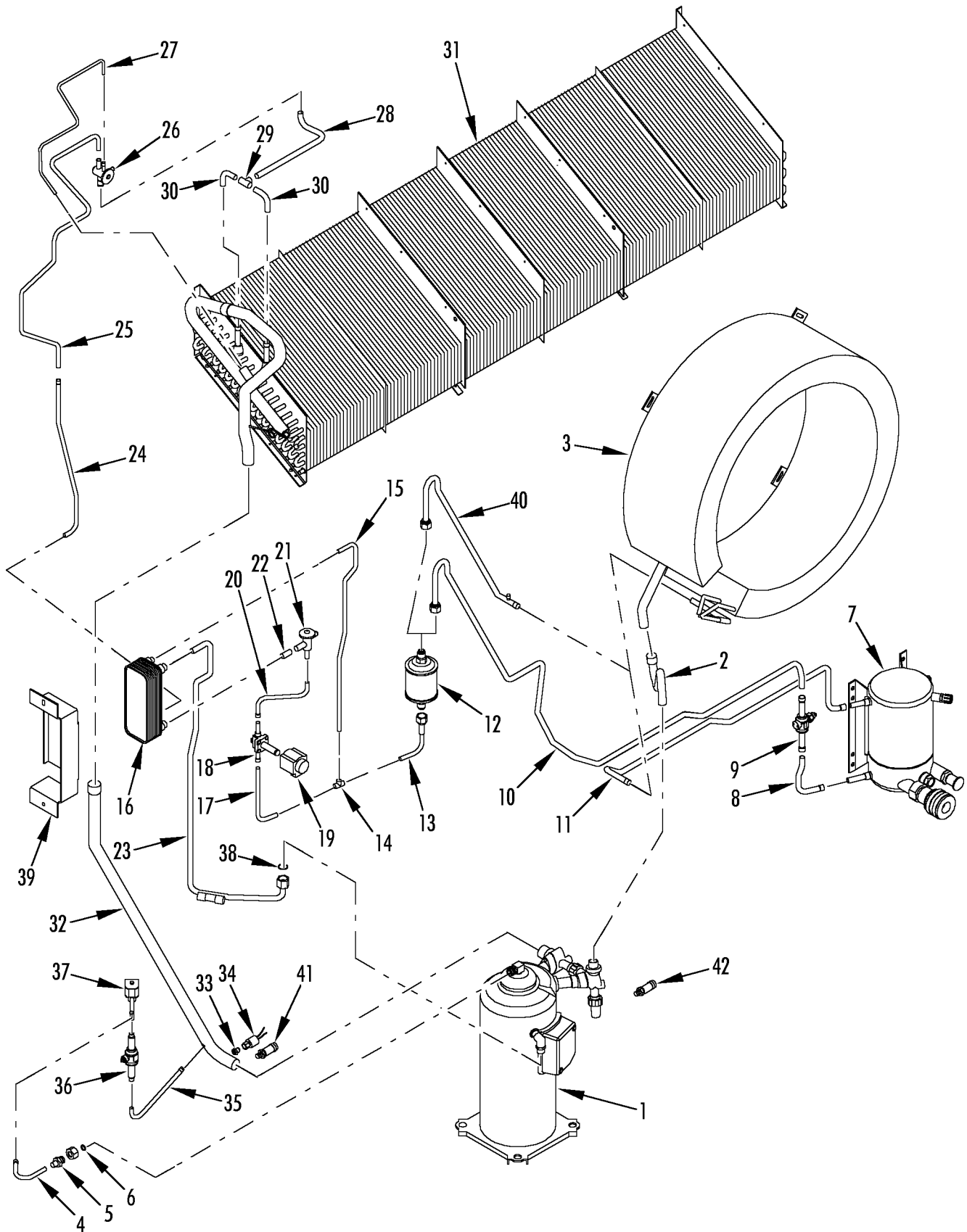
<b>REF</b>	<b>PART#</b>	<b>DESCRIPTION</b>	<b>QTY</b>
43	55-2296	TEE	1
44	61-2051	TUBE - tee to distributor	1
45	67-1923	COIL - evaporator (14.7/374 wide, see 180D9)	1
	67-1921	COIL - evaporator (13.0/330 wide, MAGNUM SL-40, see 183B4)	1
	67-1922	COIL - evaporator (11.3/286 wide, MAGNUM SL-20, see 183B6)	1
46	41-6150	TRANSDUCER - suction (200 psi)	1
47	41-6151	TRANSDUCER - discharge (500 psi)	1





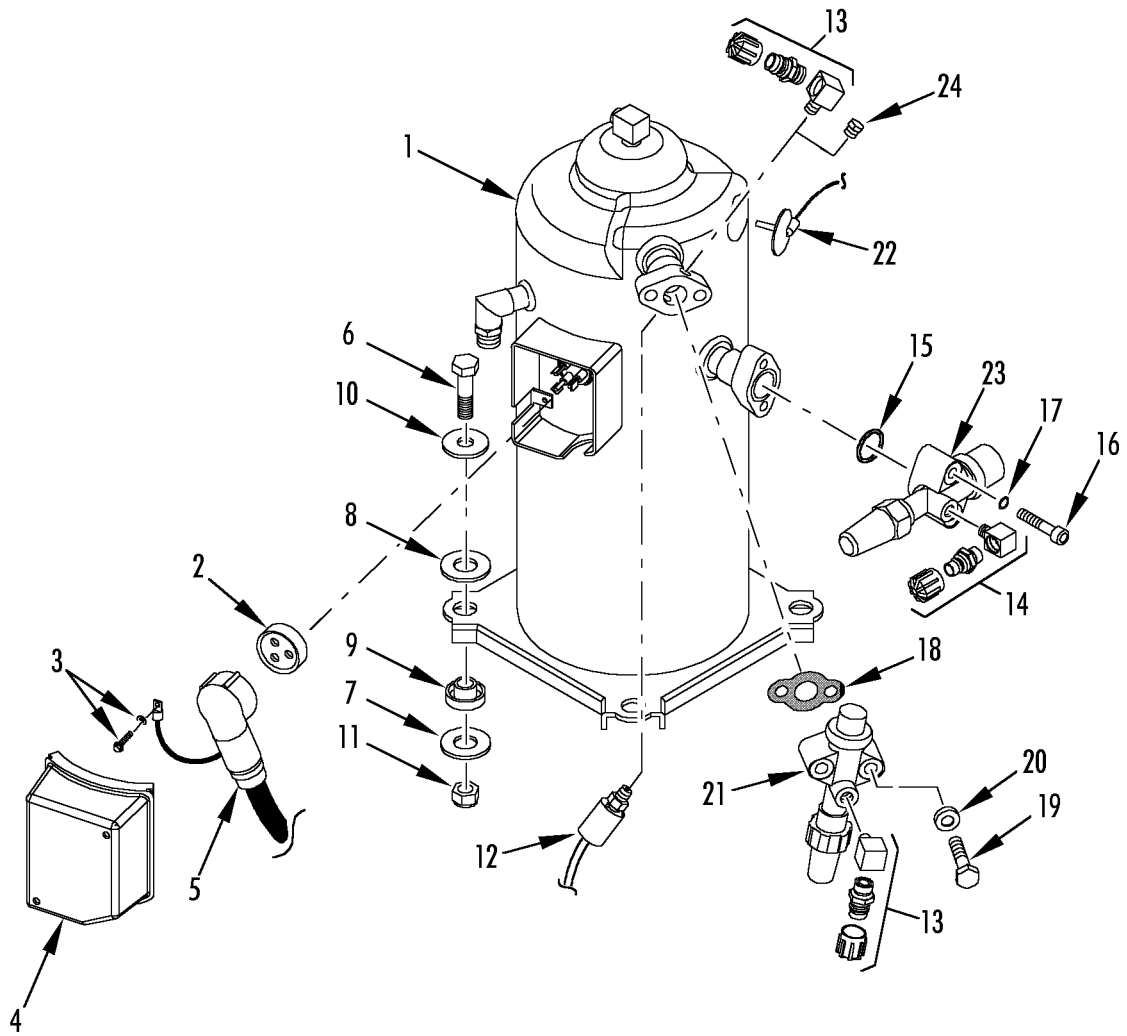


REF	PART#	DESCRIPTION	QTY
1	102-795	COMPRESSOR - scroll (see 180E1)	1
2	61-2477	TUBE - valve to coil	1
3	60-285	COIL - condenser	1
4	61-2467	TUBE - valve to compressor	1
5	61-2162	ADAPTER - compressor	1
6	33-3912	SEAL - teflon fiber	1
	66-7543	TUBE (0.500 od x 1.880 lg cu)	1
	66-9447	TUBE (0.500 od x 2.250 lg cu)	1
7	67-1575	TANK - water cooled condenser (see 154E13)	1
8	61-3504	TUBE - condenser to tee	1
9	61-3525	VALVE - ball	1
10	61-3542	TUBE - valve to dehydrator	1
11	61-1305	TUBE - condenser to condenser	1
12	61-786	DEHYDRATOR (o-ring seal)	1
	55-4390	CLAMP - dehydrator	1
	51-1440	SCREW - clamp	1
	51-1441	FLATWASHER	2
	51-1425	NUT	1
13	61-3503	TUBE - filter	1
14	55-3251	TEE	1
15	61-2471	TUBE - tee to exchanger	1
16	67-1889	HEAT EXCHANGER - economizer	1
17	61-2472	TUBE - tee to valve	1
18	61-2470	VALVE - solenoid (vapor injection)	1
19	41-5460	COIL - valve	1
20	61-2469	TUBE - valve to expansion	1
21	66-9906	VALVE - expansion (economizer)	1
22	61-1847	TUBE - expansion valve to exchanger	1
23	61-2474	TUBE - liquid injection	1
	55-8951	SHOULDER	1
	55-8950	NUT - o-ring seal	1
25	61-2050	TUBE - exchanger to coil (#2)	1
26	61-443	VALVE - expansion	1
	92-2228	SPACER - clamp	1
	55-6388	CLAMP - valve	1
	51-1439	SCREW - clamp	1
27	61-2048	TUBE - equalizer	1
28	61-2049	TUBE - expansion valve to tee	1
29	55-2296	TEE	1
30	61-2051	TUBE - tee to distributor	1
31	67-1923	COIL - evaporator (14.7/374 wide, see 180D9)	1



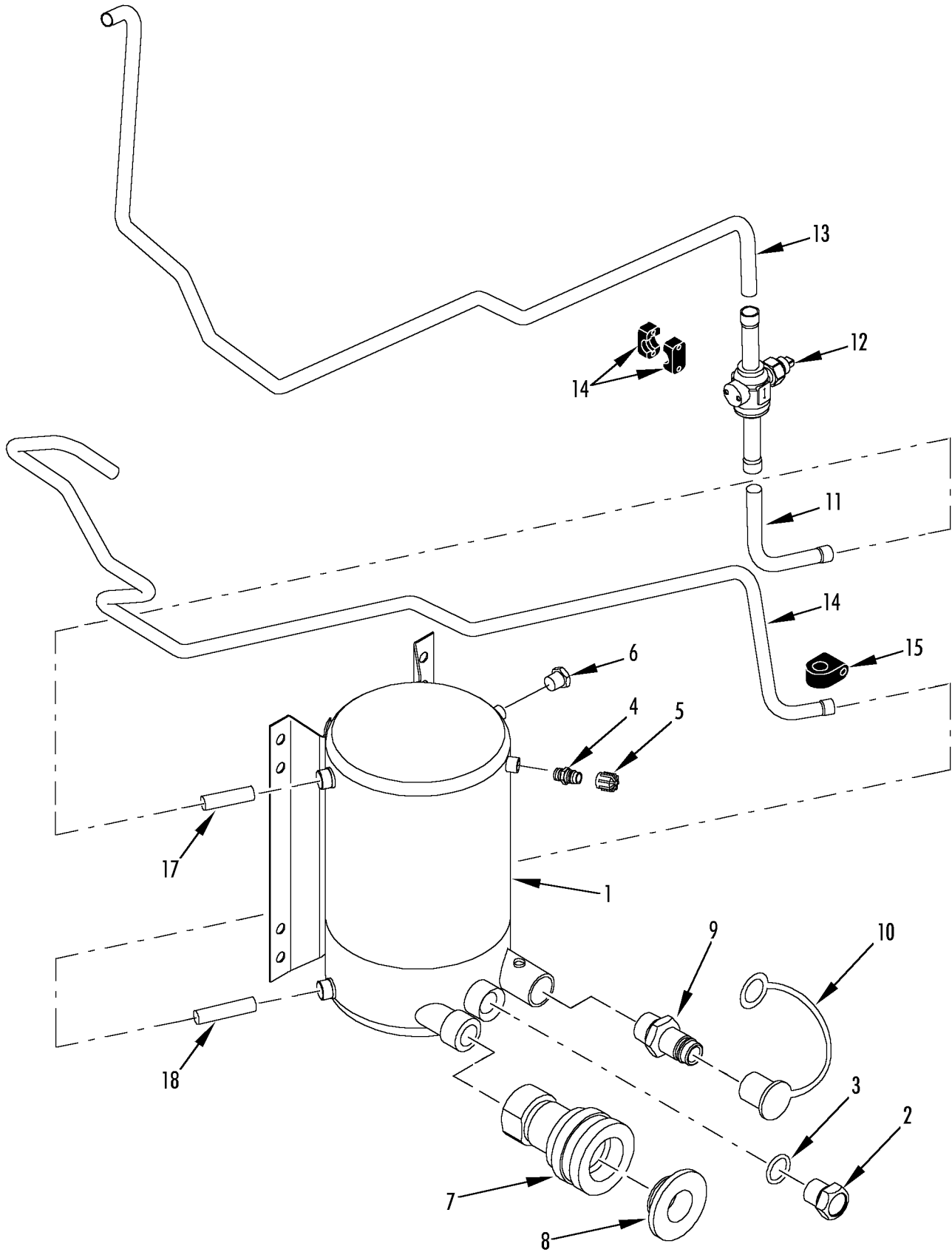


REF	PART#	DESCRIPTION	QTY
	67-1921	COIL - evaporator (13.0/330 wide, MAGNUM SL-40, see 183B4)	1
	67-1922	COIL - evaporator (11.3/286 wide, MAGNUM SL-20, see 183B6)	1
32	61-2464	TUBE - suction (before 4/05)	1
	61-3502	TUBE - suction (4/05 & after)	1
33	66-8054	ADAPTER	1
34	41-4473	SWITCH - lpc0	1
35	61-2466	TUBE - suction to ball valve	1
36	61-2465	VALVE - ball	1
37	61-2057	VALVE (PWM)	1
38	33-566	O-RING	1
39	92-3391	BRACKET - heat exchanger	1
	51-1442	SCREW - bracket	2
	55-9054	WASHER - insulating	2
	51-1464	FLATWASHER	2
40	61-3508	TUBE - coil to dehydrator (units w/o WCC)	1
41	41-6150	TRANSDUCER - suction (200 psi)	1
42	41-6151	TRANSDUCER - discharge (500 psi)	1



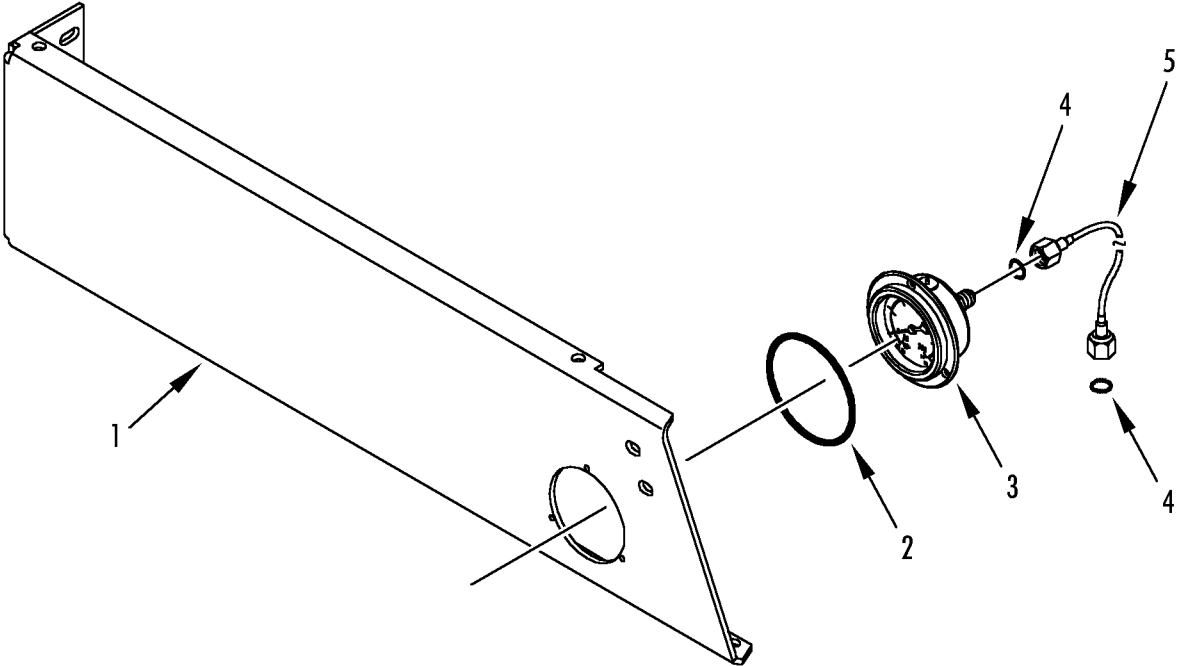


REF	PART#	DESCRIPTION	QTY
1	102-795	COMPRESSOR - scroll	1
	203-516	OIL - compressor	A/R
	40-779	KIT - gasket & grease	1
2	33-2951	• GASKET - power connector	1
	33-2979	• SEALER - silicone grease pack	1
3	55-8994	• SCREW - ground	1
	55-8995	• WASHER - ground	1
4	91-9021	• COVER - terminal box	1
5	40-786	KIT - power cord	1
6	51-1433	SCREW - compressor	4
7	51-1435	FLATWASHER (12 mm)	4
8	55-9012	WASHER - vibration damper	4
9	55-9013	SPACER (before 1/03)	4
	51-1432	SPACER (1/03 & after)	4
10	51-1436	FLATWASHER (13 mm)	4
11	51-1434	NUT	4
12	41-4004	SWITCH - hpco	1
	203-393	SEALER - thread (red)	A/R
13	66-7812	ADAPTER - high side	1
	66-6610	FITTING - highside	1
	66-7182	• CAP - fitting	1
	203-393	SEALER - thread (red)	A/R
14	66-8054	ELBOW - low side	1
	66-6607	FITTING - low side	1
	66-7183	• CAP - fitting	1
15	33-727	O-RING - suction	1
16	51-1438	SCREW - flange	2
17	51-1429	LOCKWASHER	2
18	33-2805	GASKET - flange	1
19	51-1437	SCREW - discharge valve	2
20	51-358	WASHER - sealing	2
21	61-2119	VALVE - discharge	1
22	40-776	KIT - thermistor	1
23	61-2118	VALVE - suction	1
24	55-3364	PLUG	1





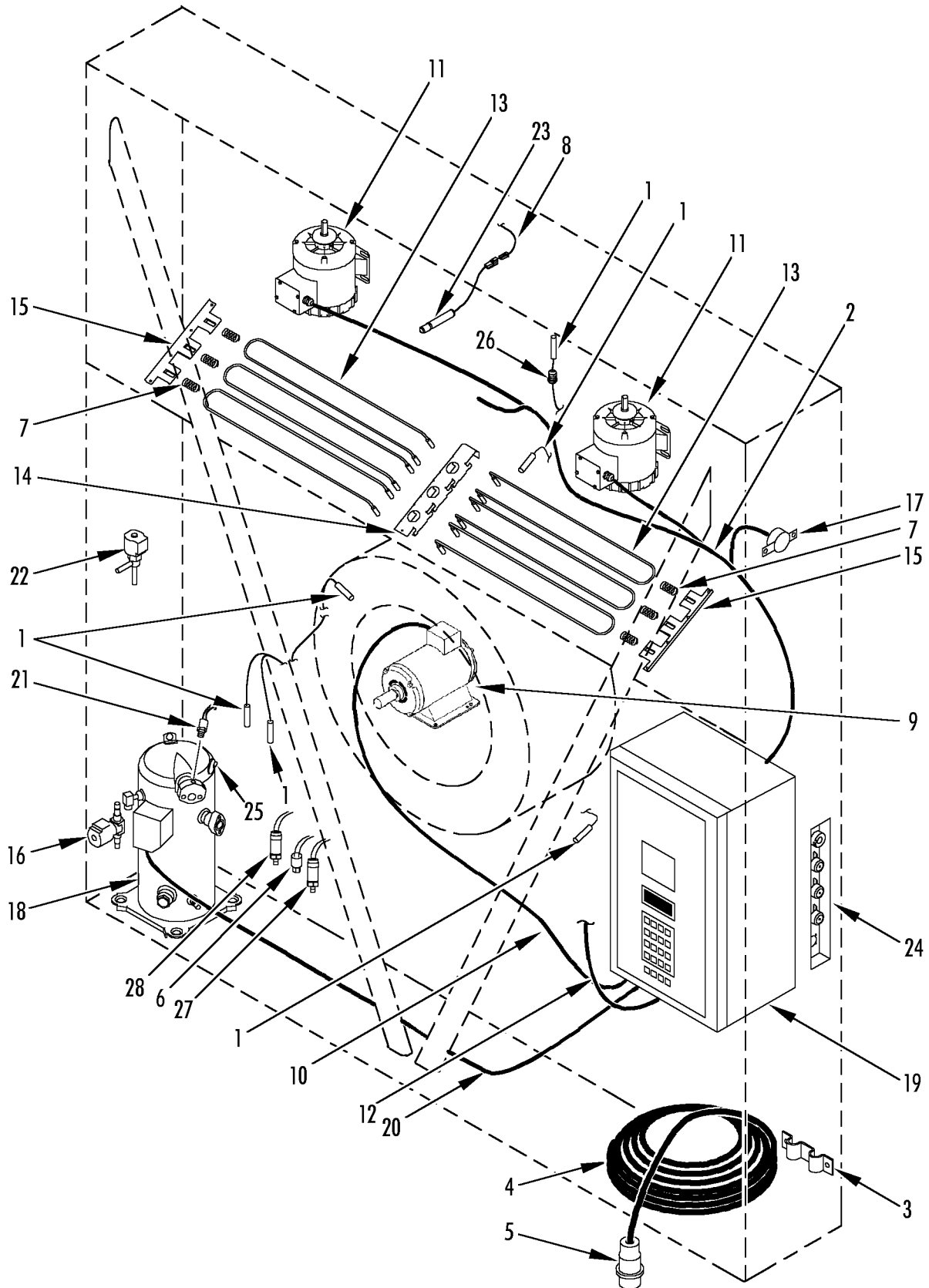
REF	PART#	DESCRIPTION	QTY
1	67-1575	TANK - water cooled condenser	1
2	66-8811	INDICATOR	1
3	33-3007	O-RING	1
4	66-6610	FITTING - high side	1
5	66-7182	• CAP - fitting	1
6	506-364	PLUG - fusible	1
	203-393	SEALER - locking	A/R
	51-1467	SCREW - tank	4
	51-1429	LOCKWASHER	4
	51-1430	FLATWASHER	4
7	66-4788	COUPLING - outlet	1
	203-385	SEALER - removable	A/R
8	91-6627	CAP - dust cover	1
9	55-1827	PLUG - outlet	1
10	91-6628	CAP - dust cover	1
11	61-3504	TUBE - condenser to filter	1
12	61-3525	VALVE - ball	1
13	61-3542	TUBE - valve to dehydrator	1
14	61-1305	TUBE - condenser to condenser	1
15	91-759	CLAMP - tube	2
	51-1462	SCREW - clamp	1
16	55-6730	CLAMP - tube	6
	55-7035	SCREW - clamp	2
	51-167	FLATWASHER	4
17	66-7543	TUBE - stub (1.88 lg)	1
18	66-9447	TUBE - stub (2.25 lg)	1





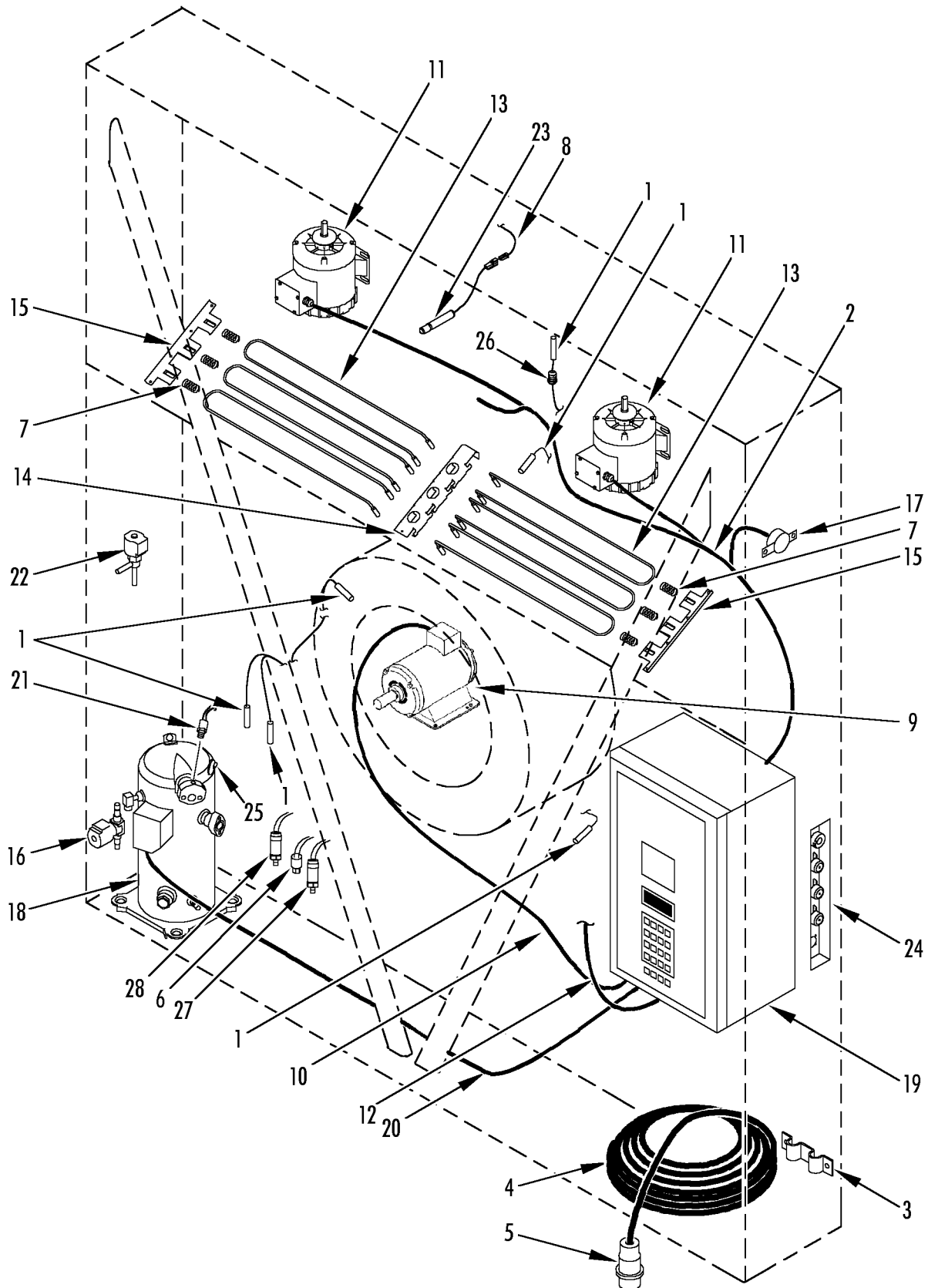


REF	PART#	DESCRIPTION	QTY
1	92-219	PLATE - guard (w/ gauge)	1
2	33-3212	GASKET - gauge	1
3	66-9194	GAUGE - suction pressure	1
	55-8382	SCREW - gauge	3
	55-7830	FLATWASHER	3
	55-9086	WASHER - insulating	3
	55-7864	NUT	3
4	33-768	GASKET - round	2
5	61-154	TUBE - gauge (w/ activator)	1



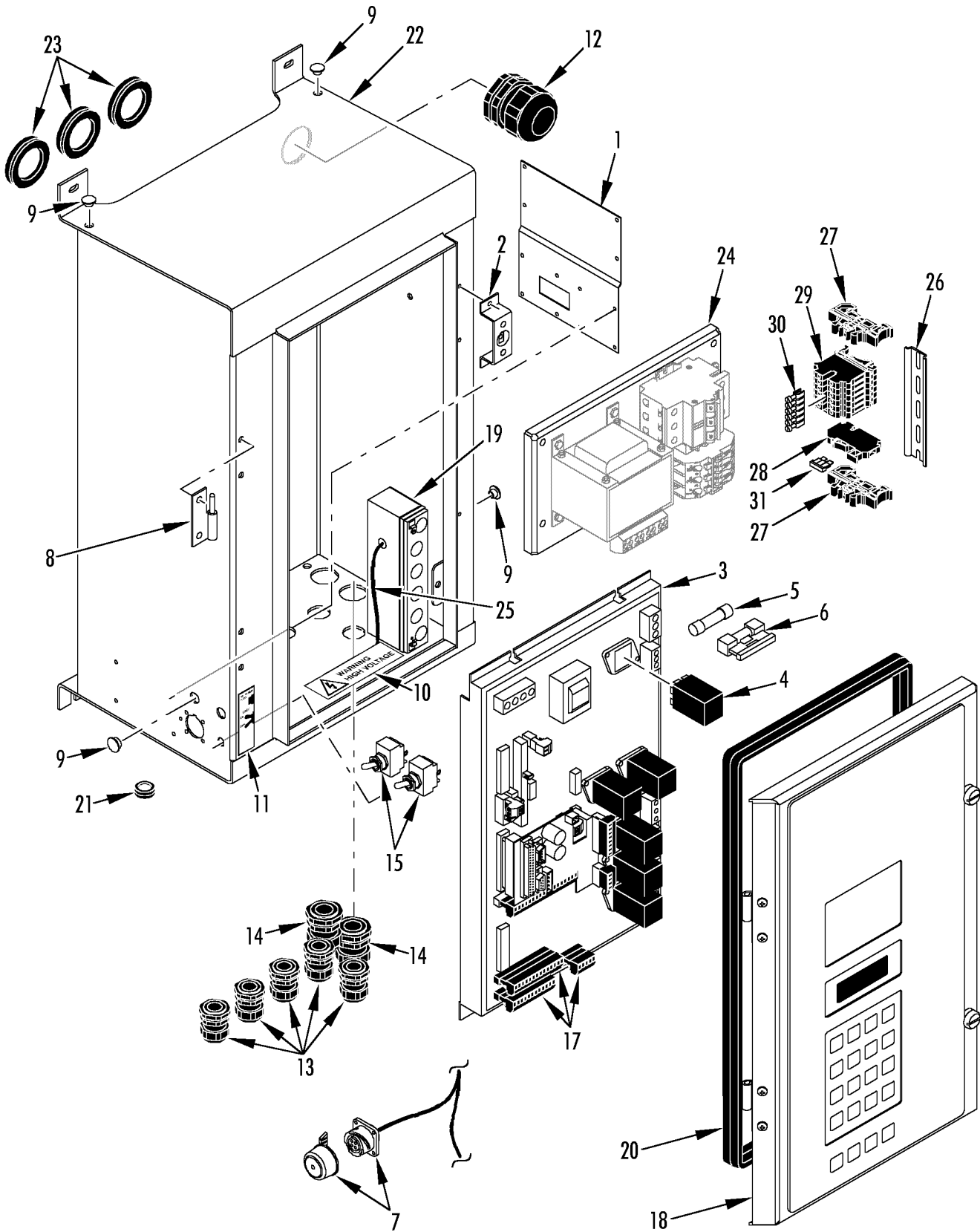


REF	PART#	DESCRIPTION	QTY
1	40-791	KIT - sensor (universal)	A/R
2	41-3685	HARNESS - evaporator (two fan, see 180D9)	1
	41-4002	HARNESS - evaporator (three fan, see 183B6)	1
3	92-2777	BRACKET - power cable (11/4 cable)	1
	92-5660	BRACKET - power cable (10/4 cable)	1
	51-1445	SCREW - bracket	2
	51-1446	LOCKWASHER	2
	51-1441	FLATWASHER	2
	55-9054	WASHER - insulator	2
4	45-1992	CABLE - power (19.2 meters, 63 ft, 11/4 ga)	1
	45-237	CABLE - power (24 meters, 78 ft, 10/4 ga)	1
5	41-1976	• PLUG - power (Minnekes)	1
	44-4051	• PLUG - power (10/4)	1
	44-9891	• TERMINAL - pin	7
6	41-4473	SWITCH - lpco	1
7	91-8140	SPRING - heater	6
8	41-2838	HARNESS - sensor (humidity, MPC)	1
9	104-697	MOTOR - condenser fan (see 180D8)	1
	77-1498	• BEARING - shaft end	1
	77-1401	• BEARING - opposite end	1
10	41-2953	HARNESS - condenser fan (see 180D8)	1
11	104-758	MOTOR - evaporator fan (two fan see 180D9, three fan see 183B6)	A/R
	77-1498	• BEARING - shaft end	1
	77-1401	• BEARING - opposite end	1
12	41-3593	HARNESS - control box	1
13	45-1927	HEATER (680W, 2 meter leads)	6
14	91-8142	BRACKET - heater (15.4/404 long, MAGNUM)	1
	91-8634	BRACKET - heater (13.6/347 long, MAGNUM SL-40)	1
	92-234	BRACKET - heater (12.3/313 long, MAGNUM SL-40)	1
15	91-8467	BRACKET - heater (13.8/350 long, MAGNUM)	2
	91-8629	BRACKET - heater (12.0 long, MAGNUM SL-40)	2
	92-235	BRACKET - heater (11.4/290 long, MAGNUM SL-20)	2
	51-1447	SCREW - bracket	11
16	41-5103	VALVE - solenoid	1
	41-3301	COIL - valve	1
17	41-3401	THERMOSTAT - defrost termination	1
	51-336	SCREW - thermostat	2
18	102-795	COMPRESSOR - scroll (see 180E1)	1
19	NSS	BOX - control (see 158A3)	1
20	40-782	CABLE - compressor	1
21	41-4004	SWITCH - hpco	1



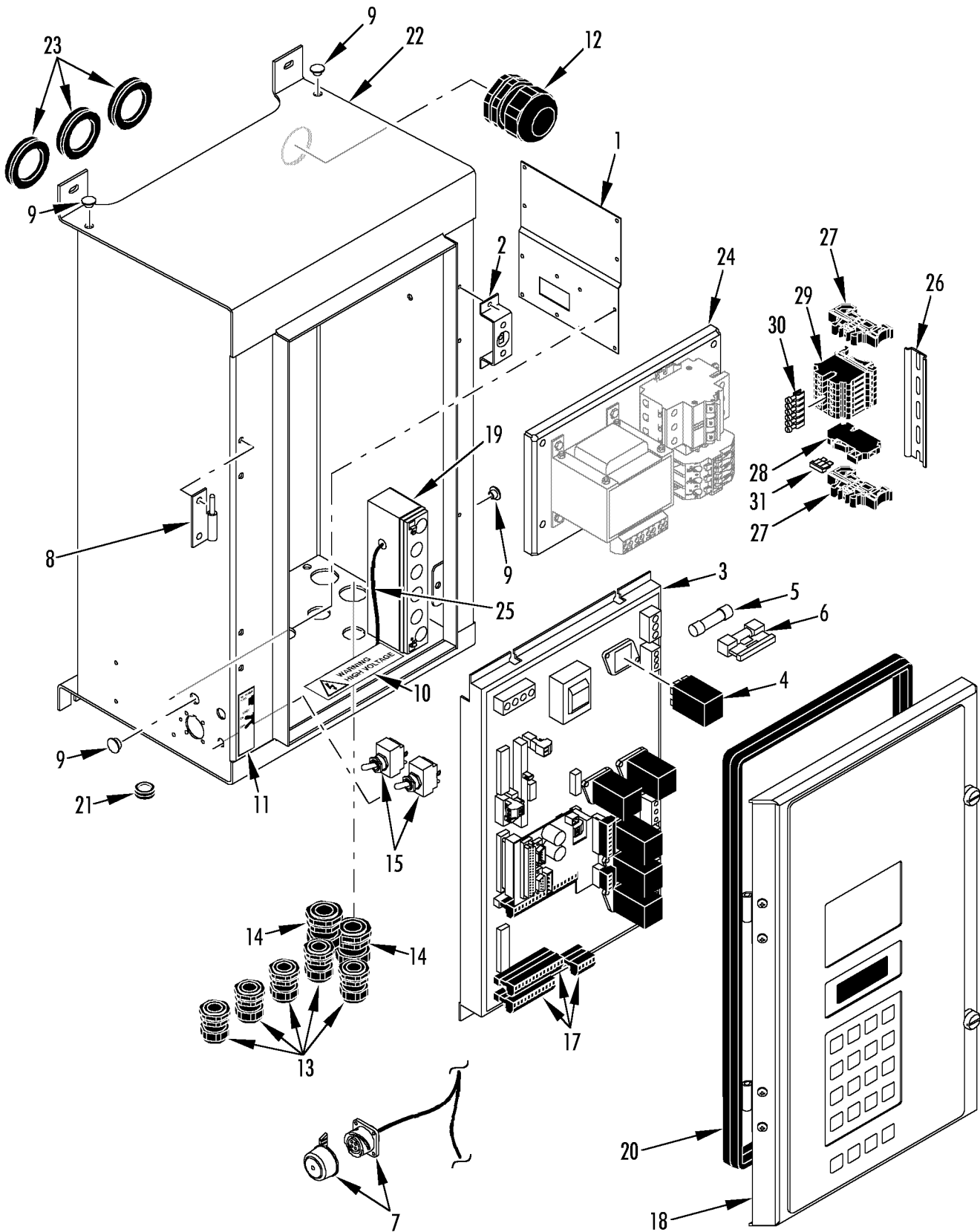


REF	PART#	DESCRIPTION	QTY
22	61-2057	VALVE - digital	1
23	41-5635	SENSOR - humidity	1
24	NSS	PANEL - USDA receptacle (see 173B1)	1
	NSS	PANEL - USDA receptacle (see 183B3, SL-40 & 20)	1
25	40-776	KIT - thermistor	1
26	51-270	CONNECTOR - liquid tite	1
27	41-6150	TRANSDUCER - suction (200 psi)	1
28	41-6151	TRANSDUCER - discharge (200 psi)	1





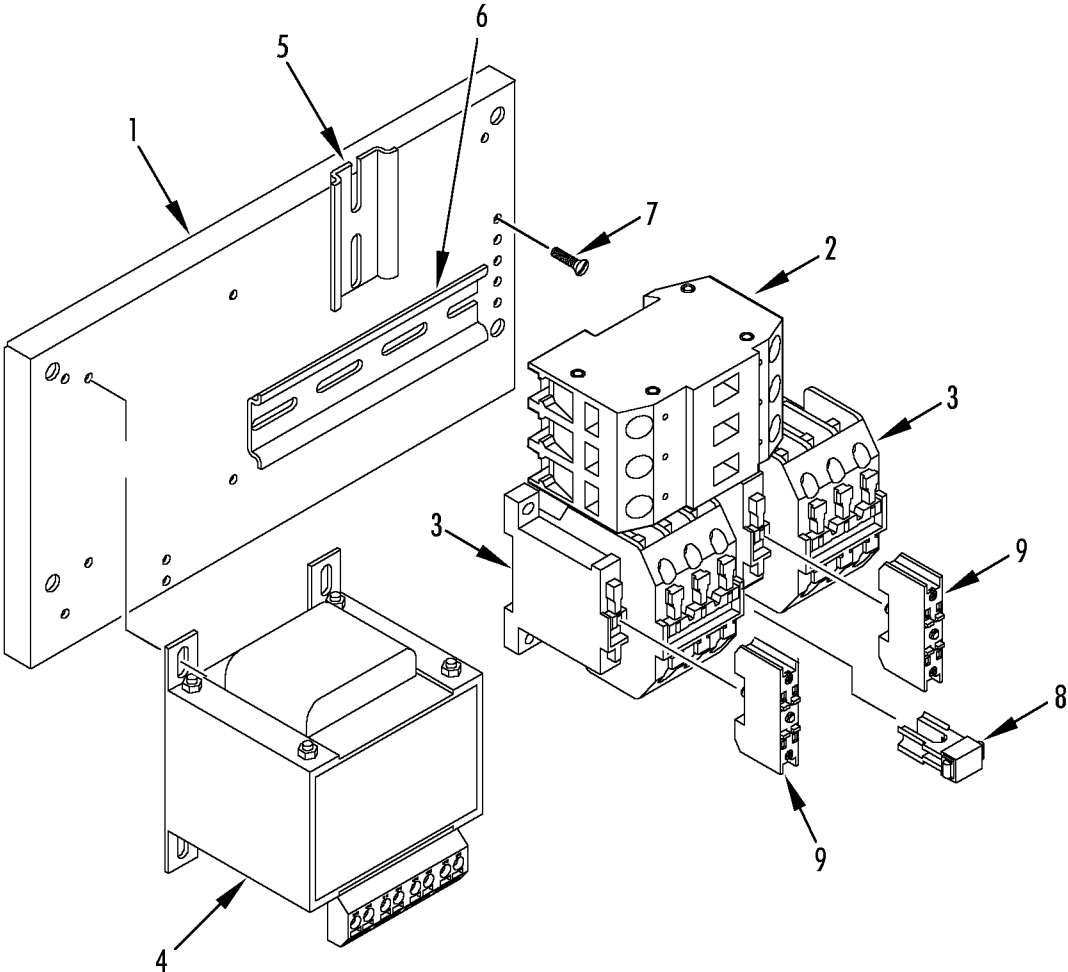
REF	PART#	DESCRIPTION	QTY
1	92-236	BRACKET - diagram	1
	55-3272	RIVET - bracket	4
2	92-237	BRACKET (w/ receptacle)	2
	55-2074	NUT - speed	4
	55-9166	SCREW - bracket	4
	55-9444	WASHER - insulating (nylon)	4
3	45-2010	BOARD - relay (MP3000 A)	1
	845-2010	BOARD - relay (reman, MP3000 A)	1
4	41-7587	• RELAY - power (K24-58162-02)	6
	92-860	• CLIP - relay	6
5	504-970	• FUSE (20A)	3
6	41-3430	• HOLDER - fuse	3
	51-336	SCREW - relay board	6
7	41-3402	CABLE - retriever plug (Deutsch, see download panel grid)	1
	41-2583	CABLE - retriever plug (Cannon, see download panel grid)	1
	55-3272	RIVET - plug	4
	41-2406	CAP - plug	1
	99-3685	CHAIN - cap	1
8	92-238	HINGE - cover	2
	55-7172	SCREW - hinge	4
	51-618	INSULATOR	2
	51-1423	FLATWASHER	4
	51-1424	LOCKWASHER	2
	55-7042	NUT	4
9	55-9346	PLUG - seal	2
10	91-9833	NAMEPLATE - Caution	1
11	91-9272	NAMEPLATE - On/Off	1
12	41-3686	CONNECTOR - liquid tite	1
13	55-5900	FITTING - harness	5
14	55-5257	FITTING - harness	2
15	41-3595	SWITCH - On/Off (unit & cond fan)	2
	92-239	BOOT - switch	1
17	41-2832	CONNECTOR - plug (2 pin, short circuit)	1
	41-3596	BLOCK - terminal (4 pole)	1
	41-3597	BLOCK - terminal (5 pole)	1
	41-3598	BLOCK - terminal (8 pole)	1
	41-3851	BLOCK - terminal (12 pole)	1
	41-3599	BLOCK - terminal (14 pole)	1
	41-3608	BLOCK - terminal (18 pole)	1
18	NSS	DOOR - controller (see 183B5 & 188E8)	1
19	203-509	BATTERY (12V, 1.9 AH)	1
	55-9759	SCREW - battery	1





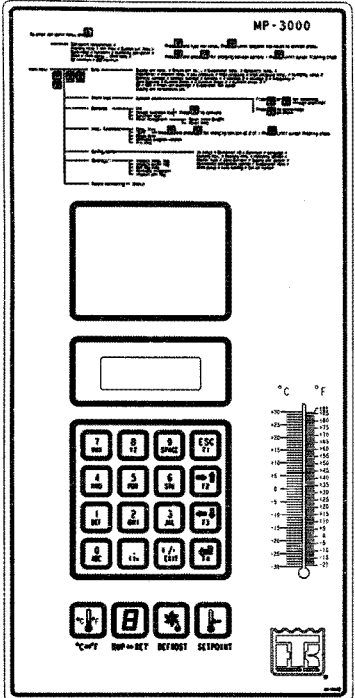
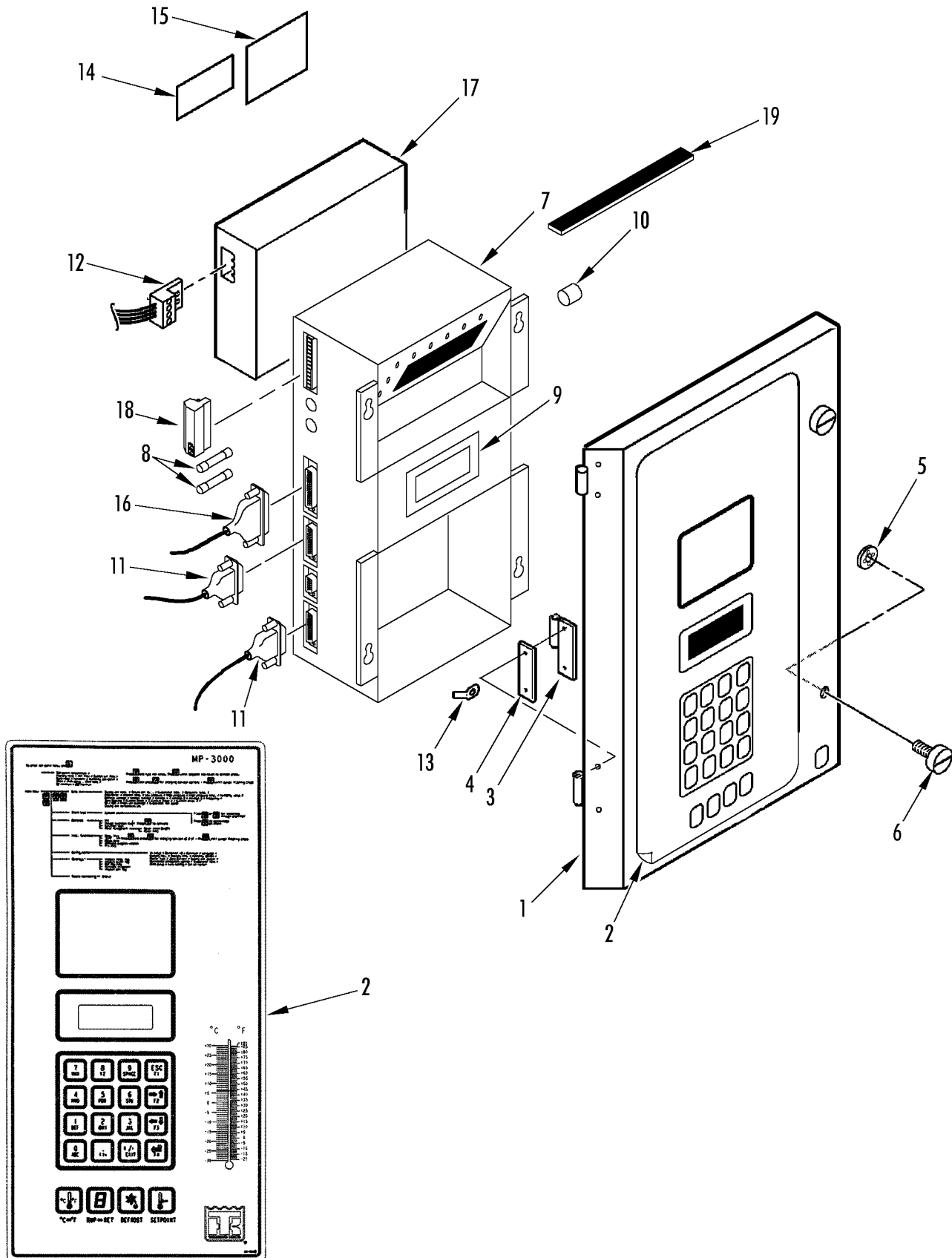


REF	PART#	DESCRIPTION	QTY
	55-6995	FLATWASHER	2
	55-7042	NUT	1
20	33-3837	GASKET - cover	1
21	33-3838	GROMMET	1
22	98-5454	BOX - control	1
	55-6994	SCREW - control box	4
	51-167	FLATWASHER	4
	55-9054	WASHER - insulator	4
23	33-3215	GROMMET	3
24	NSS	TRAY - high voltage (see 158A1)	1
25	41-3335	CABLE - battery	1
	41-4527	• CONNECTOR (7 pin)	1
	44-6381	• CONNECTOR (2 pin)	2
26	309-3066	RAIL - terminal block	1
	55-7169	SCREW - rail	2
	55-7033	FLATWASHER	2
	51-619	WASHER - insulator	2
	55-7034	NUT	2
27	41-3687	TERMINAL - stop clip	2
28	41-5105	PLATE - end terminal	1
29	41-3688	BLOCK - terminal	6
30	41-3703	CONNECTOR - cross	1
31	44-9359	FUSE (7.5 amp)	1
32	92-5520	BRACKET - battery	1
	55-2988	RIVET - bracket	1



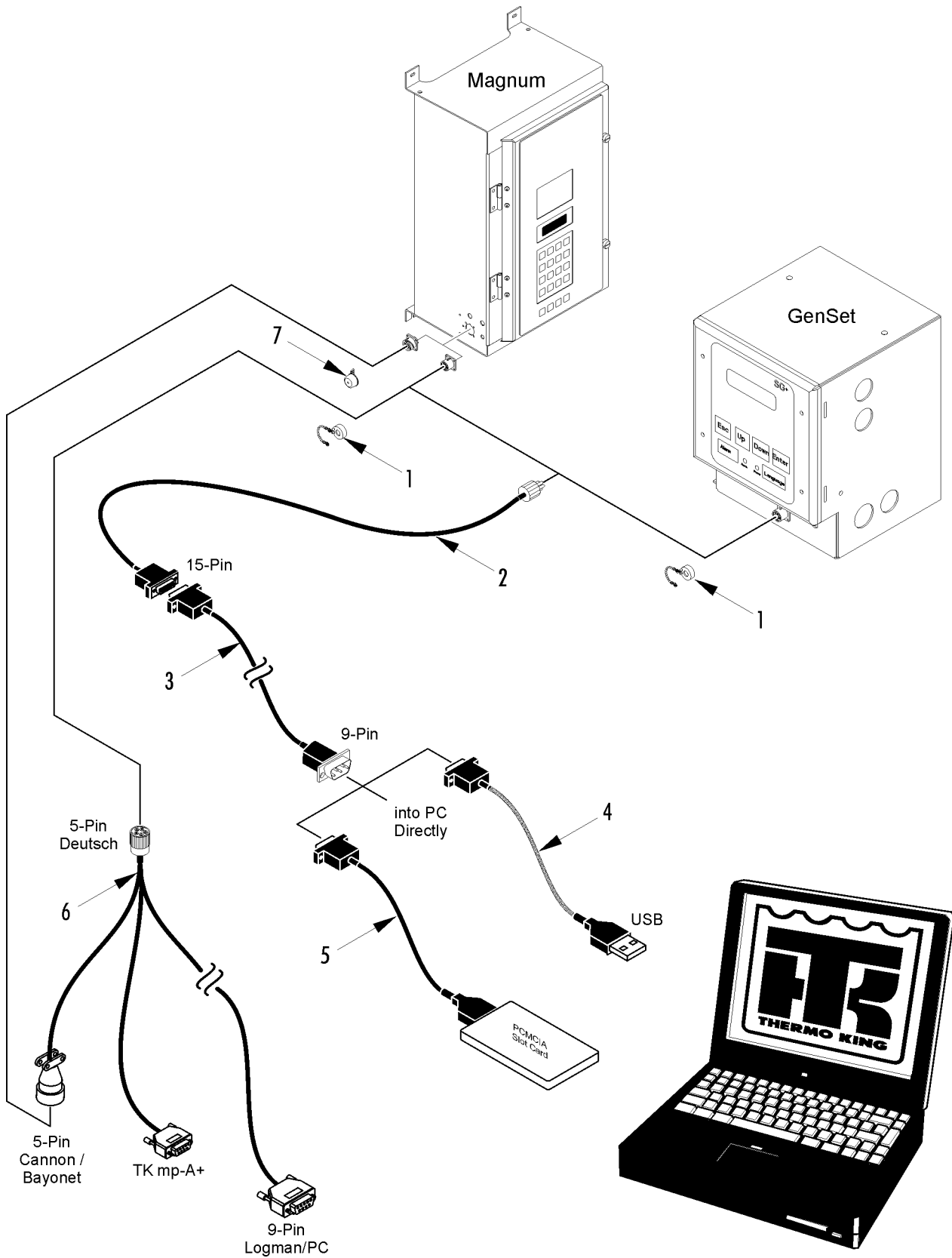


REF	PART#	DESCRIPTION	QTY
1	92-3445	PLATE - bottom	1
	51-1421	SCREW - plate to box	4
	51-619	WASHER - insulator	4
	51-1464	FLATWASHER	4
	51-1423	LOCKWASHER	4
	51-1425	NUT	4
2	41-5104	BREAKER - circuit (25 amp)	1
3	41-3605	CONTACTOR (CI 25)	2
4	41-3317	TRANSFORMER	1
	55-9396	SCREW - transformer	4
5	91-9914	RAIL - din (60 mm)	1
6	91-9915	RAIL - din (125 mm)	1
7	55-9166	SCREW (pan hd)	11
	55-7370	LOCKWASHER	6
8	41-3604	INTERLOCK	1
9	41-5309	CONTACTOR - auxiliary (4 pin remote option, see 158A5)	2



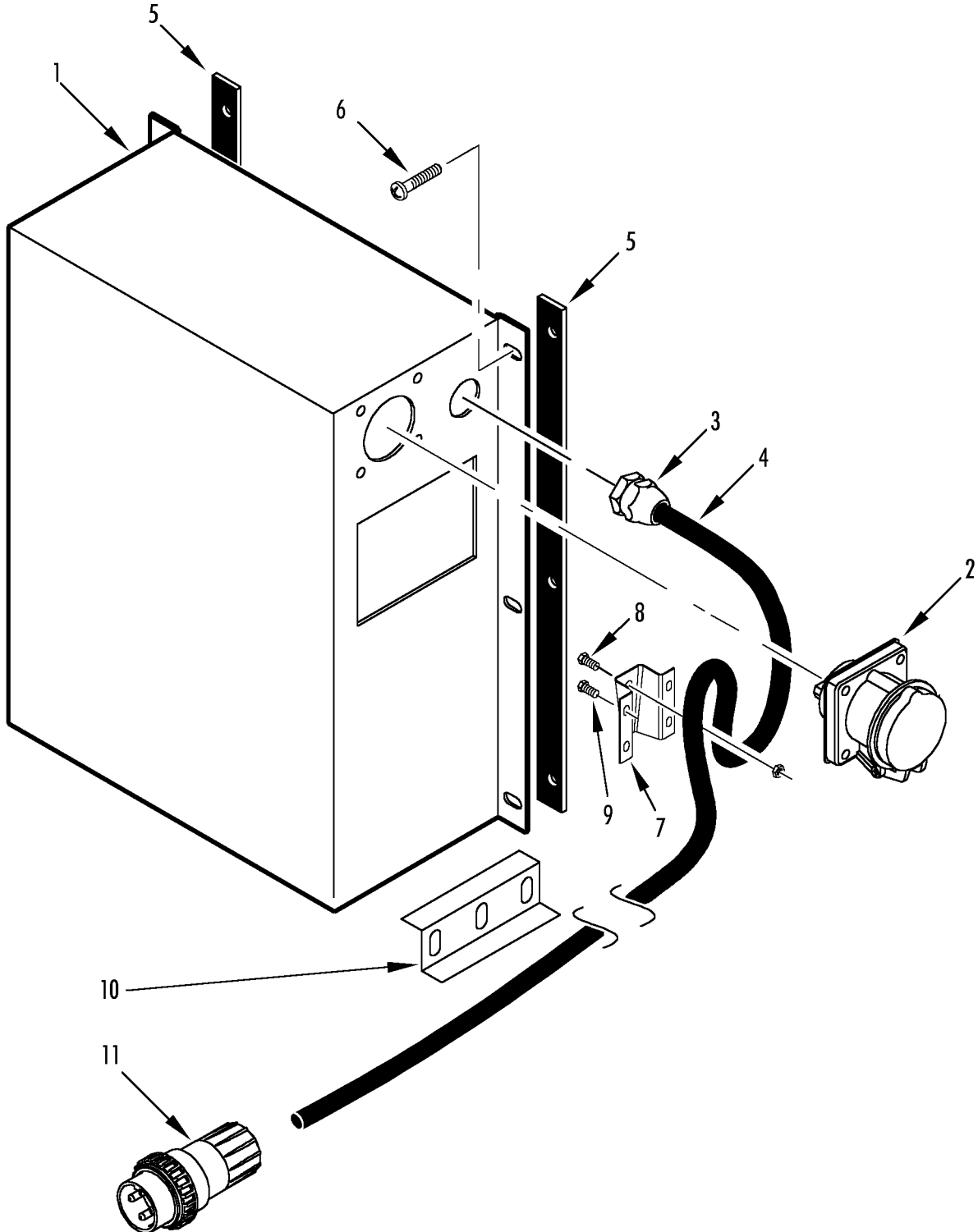


REF	PART#	DESCRIPTION	QTY
1	98-6784	DOOR - control box (complete, includes 1 thru 6, 8, 9, 10 & 13)	1
	91-9380	• DOOR - control box	1
2	41-4142	• KEYPAD (MP3000)	1
3	91-9381	• HINGE - door	2
	51-1418	• SCREW - hinge	4
	55-9444	• WASHER (nylon)	4
	51-1420	• WASHER	8
	51-1419	• NUT	4
4	55-9392	• INSULATOR - hinge	2
5	55-8919	• RETAINER - screw	2
6	55-9393	• SCREW - door (knurled)	2
	51-1470	SCREW - door (Phillips)	2
7	45-2009	CONTROLLER (MP3000-A)	1
	845-2009	CONTROLLER (REMAN, MP3000-A)	1
8	44-6777	• FUSE (2 amp)	2
9	41-4919	• DISPLAY - controller	1
10	203-506	• BATTERY - lithium	1
	51-1419	NUT - controller	4
	55-8919	LOCKWASHER	2
	55-9444	WASHER - insulating (nylon)	4
11	41-3602	CABLE - connecting (25 pin, No. 1 & 3)	2
12	41-3603	CABLE - connecting (RMM, option 098158, 098159)	1
13	55-9395	ADAPTER - push-on	1
	51-1419	NUT	1
14	91-9382	NAMEPLATE - Warning, Power Off	1
15	92-3446	NAMEPLATE - Phase Select	1
16	41-2835	CABLE - connecting (No. 2)	1
17	845-1898	MODEM (RMM, option 098158, 098159)	1
	41-3601	MODEM (MPC - 2000, 098983)	1
18	41-3335	CONNECTOR (7 pin)	1
19	92-3554	GASKET - controller	1





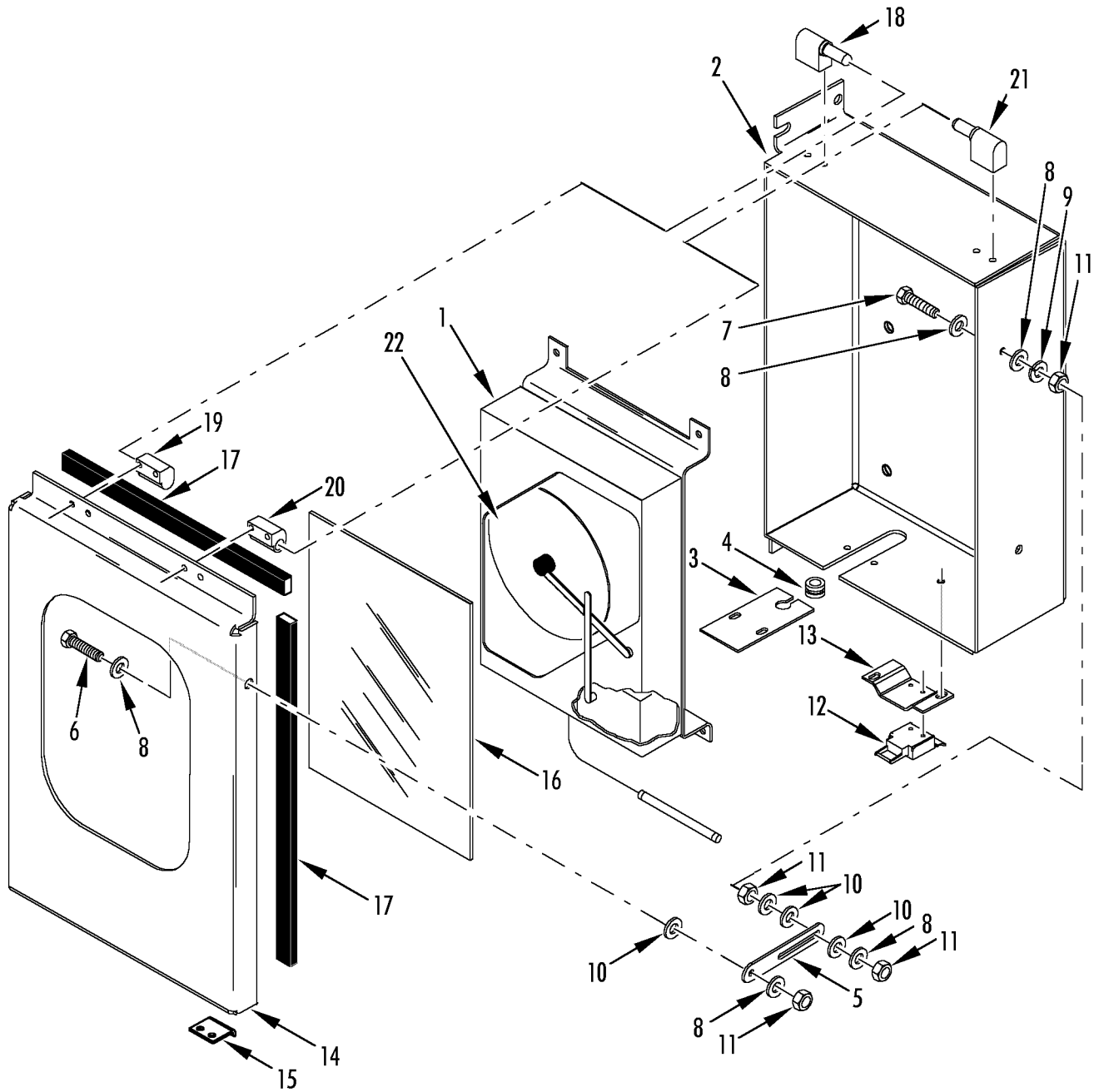
REF	PART#	DESCRIPTION	QTY
1	41-2406	CAP - dust (5-pin Deutsch)	1
	99-3685	CHAIN - cap	1
2	204-918	CABLE - data (5-pin Deutsch to 15-pin D connectors)	1
	204-974	CABLE - data (5-pin Cannon bayonet to 15-pin D connectors)	1
	204-975	CABLE - data (5-pin Cannon threaded to 15-pin D connectors)	1
3	44-9417	CABLE - data (15-pin D unit connector, 9-pin D PC connector, 20 ft)	1
	44-9418	CABLE - data (15-pin D unit connector, 9-pin D PC connector, 50 ft)	1
4	204-1109	ADAPTER - 9-pin D PC connector to USB	1
5	N/A	ADAPTER - 9-pin D PC connector to PC card (see service bulletin C061)	1
6	41-8065	CABLE - data download	1
7	41-3588	CAP - dust (5-pin cannon)	1





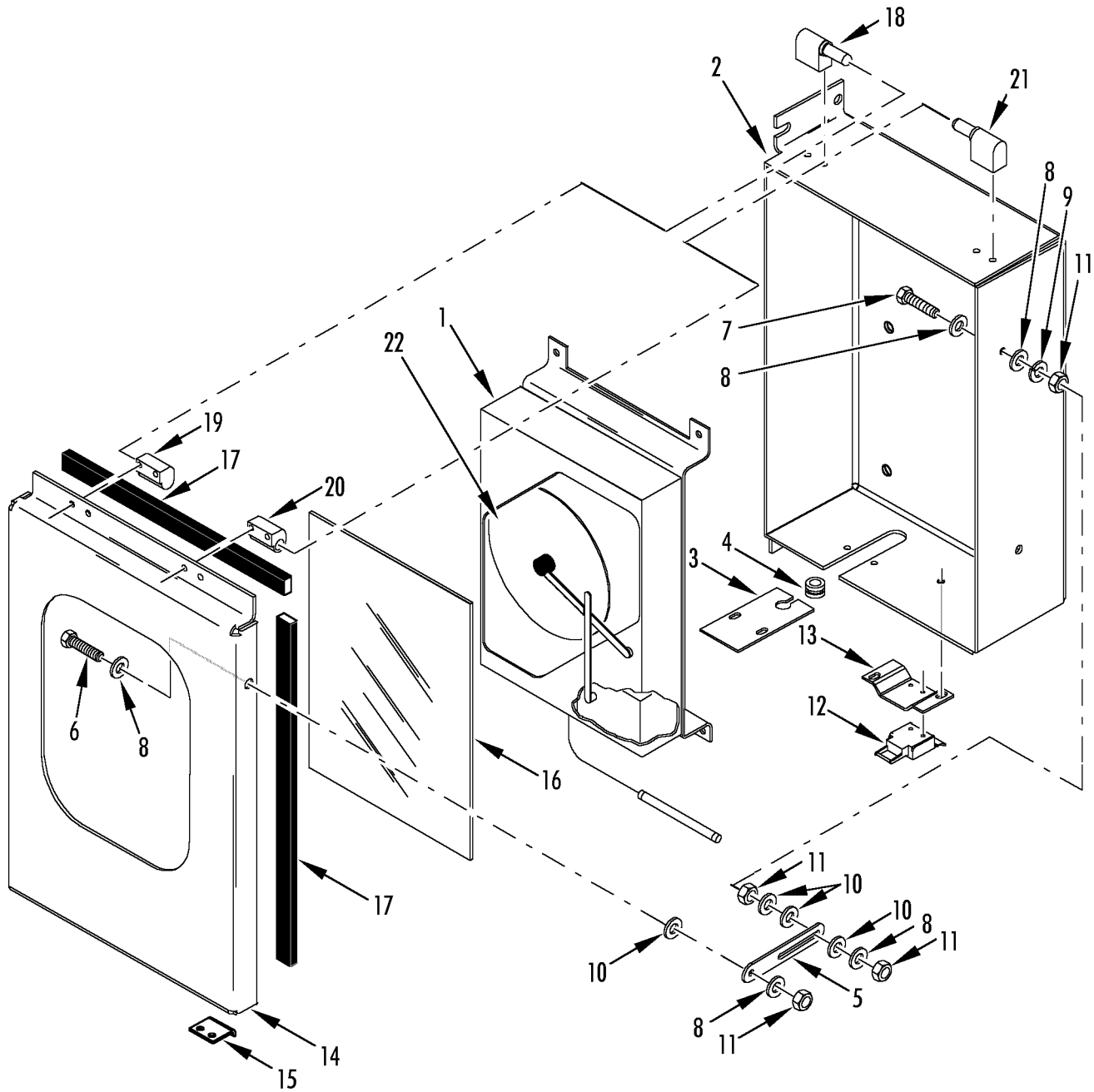


REF	PART#	DESCRIPTION	QTY
1	45-1859	TRANSFORMER	1
2	41-1977	RECEPTACLE - power (32 amp, 440V)	1
	55-2995	• SCREW - receptacle	4
	55-2964	• LOCKWASHER	2
	55-2001	• FLATWASHER	2
3	55-5919	• CONNECTOR - grip	1
	55-2636	• NUT - connector	1
4	41-3083	• CABLE - power (69 ft)	1
5	91-9508	INSULATOR	2
6	55-7341	SCREW - transformer	2
	55-8891	SCREW - transformer	4
	55-7085	FLATWASHER	6
	55-7342	LOCKWASHER	6
7	91-6988	BRACKET - cable restraint (current units)	1
8	55-9164	SCREW - cable	1
	55-7357	FLATWASHER	1
	55-7344	NUT	1
9	55-7172	SCREW - bracket	4
	55-7075	FLATWASHER	4
	55-7170	LOCKWASHER	4
10	91-3238	BRACKET - cable (early units)	1
	55-7172	SCREW - bracket	3
	55-6995	FLATWASHER	6
	55-7042	NUT	3
11	44-3828	PLUG - power (50 amp)	1
	44-5133	PLUG - power (60 amp, orange)	1
	41-3429	PLUG - power (50 amp, blue)	1
	33-2482	BUSHING - plug	1





REF	PART#	DESCRIPTION	QTY
1	45-1830	THERMOMETER - recording (31 day, Partlow, 098025, see 147B2)	1
	45-1831	THERMOMETER - recording (31 day, Saginomiya, battery, 098026, see 147B9)	1
	45-1832	THERMOMETER - recording (31 day, Saginomiya, AC power, 098030, see 147B9)	1
	55-7172	SCREW - recorder	4
	55-6996	LOCKWASHER	4
	55-6995	FLATWASHER	4
2	91-8705	BOX - recorder	1
	55-7341	SCREW - box	4
	55-6988	FLATWASHER	4
	55-8953	WASHER (nylon)	4
3	91-4218	PLATE - box (bottom)	1
	55-7340	SCREW - plate	2
	55-7033	FLATWASHER	4
	55-7404	LOCKWASHER	2
	55-7354	NUT	2
4	33-451	GROMMET	1
5	99-7230	GUIDE - latch	1
6	55-7169	SCREW - guide (12 mm)	1
7	55-8720	SCREW - guide (25 mm)	1
8	55-7033	FLATWASHER	4
9	55-7464	LOCKWASHER	1
10	55-9444	WASHER - insulating (nylon)	4
11	55-7034	NUT	4
12	91-5005	LATCH - cover	1
	55-2988	RIVET - latch	2
13	91-5006	BRACKET - latch	1
	55-7340	SCREW - bracket	2
	55-7033	FLATWASHER	4
	55-7404	LOCKWASHER	2
	55-7354	NUT	2
14	98-7209	COVER - recorder (incl items 15, 16 & 17)	1
15	91-5007	PLATE - keeper	1
	55-2988	RIVET - plate	2
16	91-8707	WINDOW	1
17	33-3008	GASKET - cover	4
	91-4219	HINGE SET - left	1
18	91-8708	• HINGE - right (w/ pin)	1
19	91-8725	• HINGE - right (w/o pin)	1
20	91-8709	• HINGE - left (w/ pin)	1



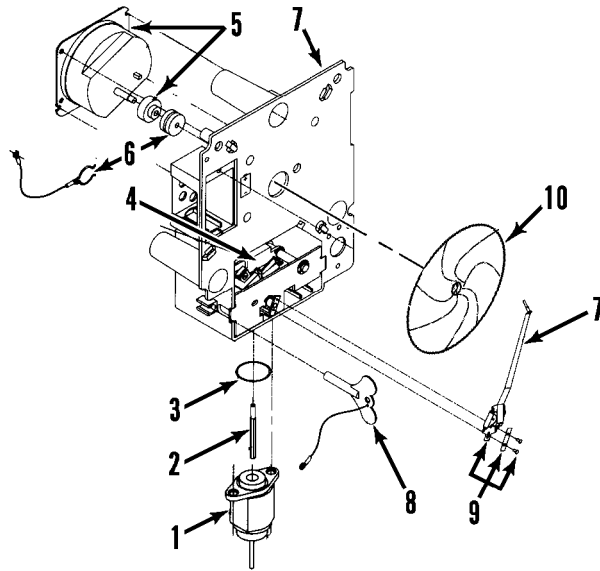
Revised  
1/21/08

**RECORDING THERMOMETER (OPTION 098026 &  
098030)**



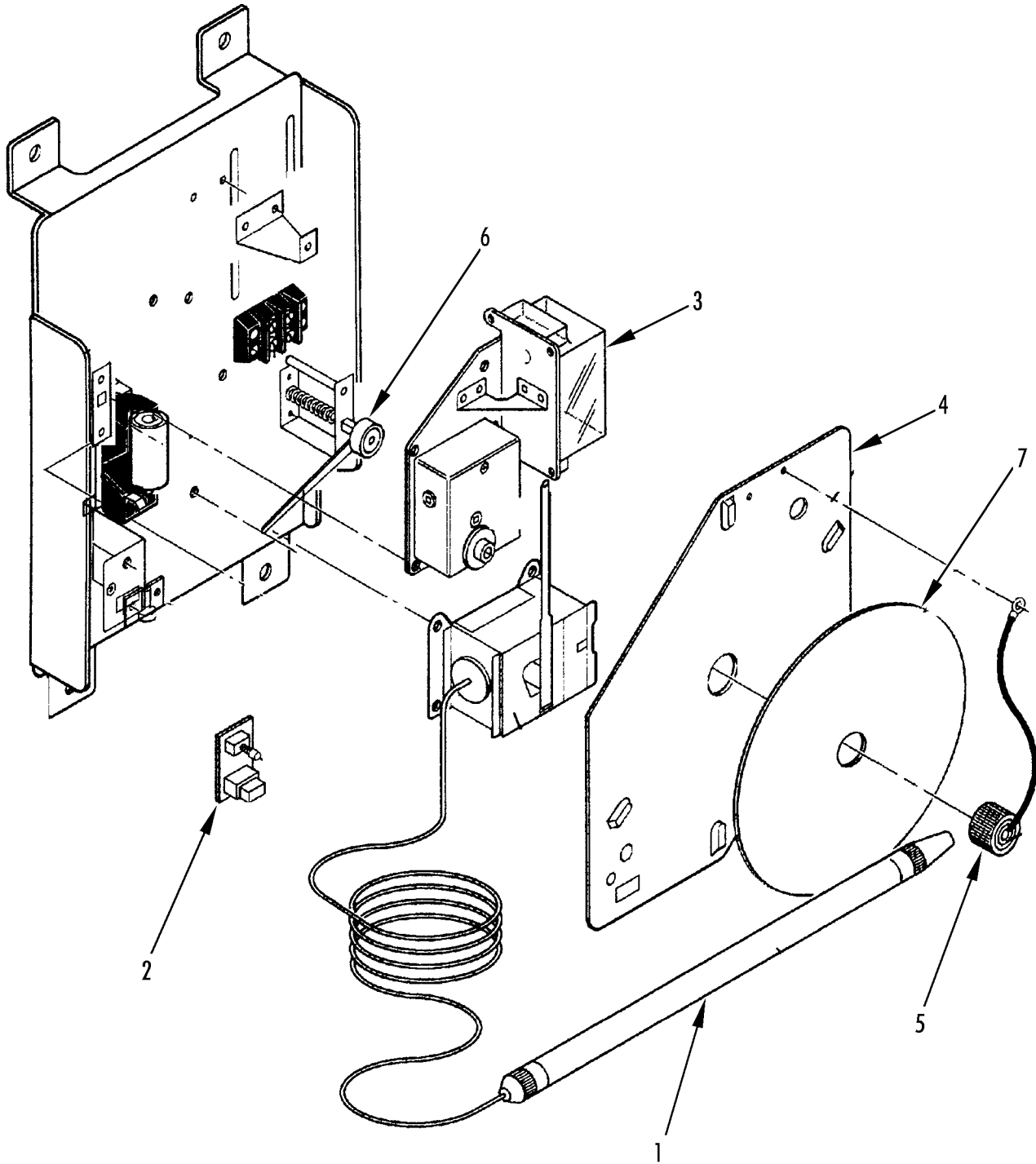
**147B8**

<b>REF</b>	<b>PART#</b>	<b>DESCRIPTION</b>	<b>QTY</b>
21	91-8726	• HINGE - left (w/o pin)	1
	55-7169	SCREW - hinge	8
	55-7033	FLATWASHER	8
	55-7404	LOCKWASHER	8
	91-4220	HINGE SET - right	1
22	203-180	CHART (31 day, -20 to +80 F, box of 50)	1
	203-252	CHART (31 day, -30 to +25 C, box of 50)	1
	203-219	CHART (31 day, -25 to +25 C, box of 50)	1





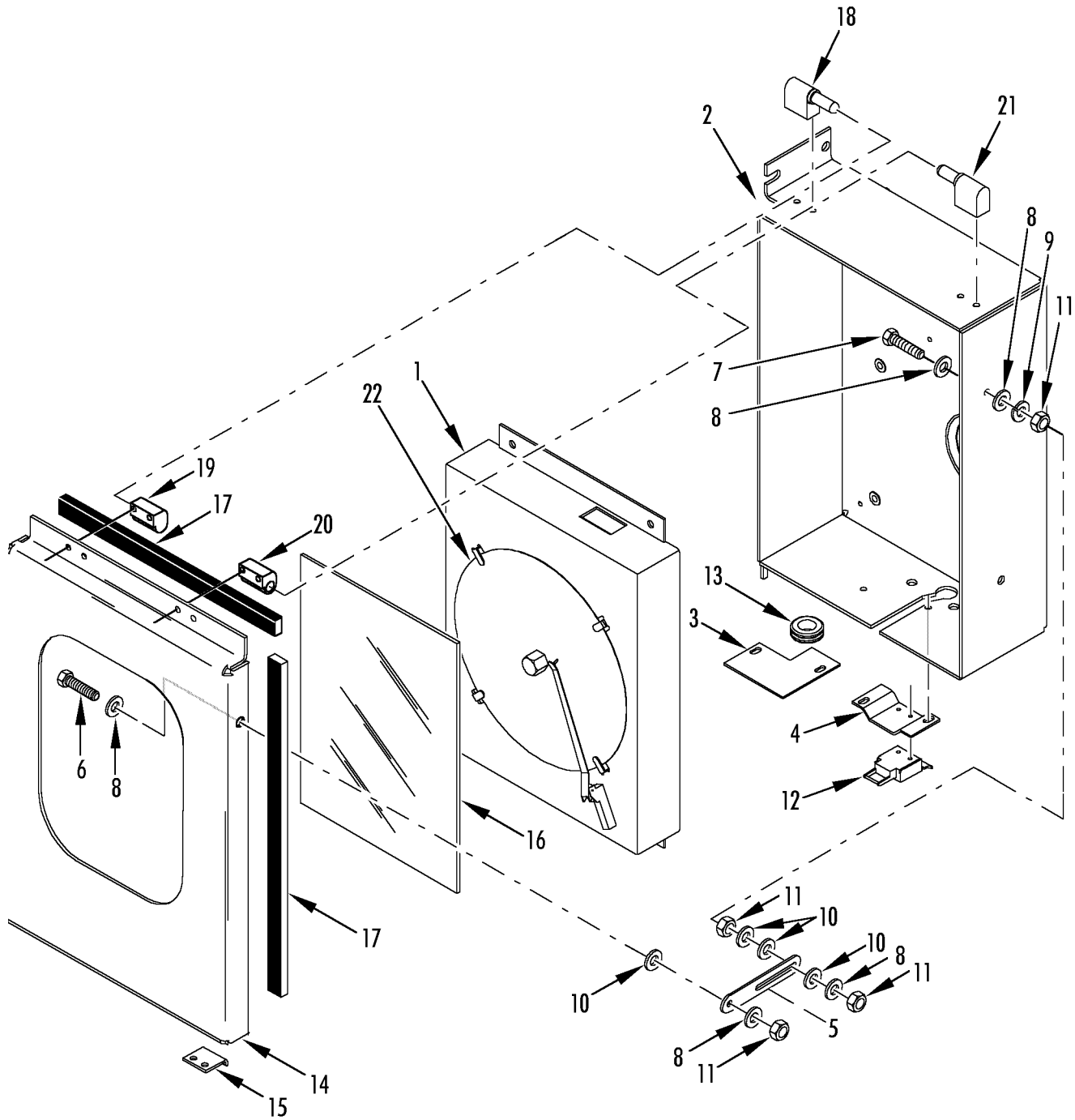
REF	PART#	DESCRIPTION	QTY
	45-1830	THERMOMETER (31 day, F)	1
1	44-5644	• ELEMENT - thermo (1/2 od, 7.5 in lg bulb, 10 ft capillary)	1
	44-2339	• ELEMENT - thermo (3/8 od, 14 in lg bulb, 10 ft capillary)	1
2	91-8217	• ROD - push	1
3	33-2962	• O-RING	1
4	41-2216	• MECHANISM	1
5	44-2966	• DRIVE - chart (31 day)	1
6	91-2209	• NUT, CLIP & CORD	1
7	41-2218	• PLATEN	1
8	55-8955	• KEY - winding	1
9	91-2205	• KIT - stylus	1
10	203-180	CHART (31 day, -20 to +85 Fahrenheit, box of 50)	1





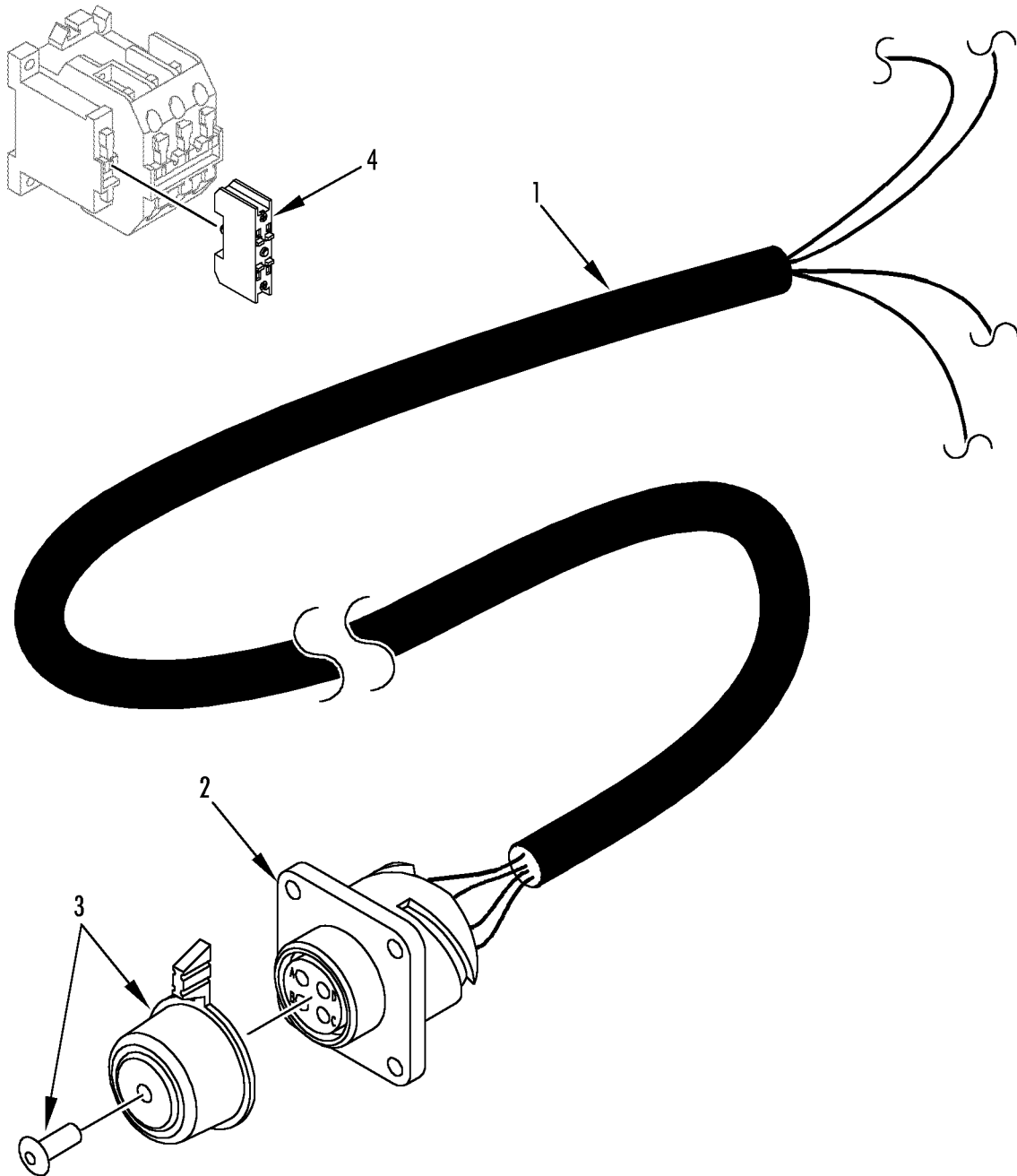


REF	PART#	DESCRIPTION	QTY
	45-1831	THERMOMETER - recording (Saginomiya, 31 day battery)	1
	45-1832	THERMOMETER - recording (Saginomiya, 31 day, AC power)	1
1	44-9780	• ELEMENT	1
2	44-9781	• INDICATOR - volt	1
3	44-7782	• TIMER	1
4	91-4380	• PLATE - recorder	1
5	505-390	• NUT - chart	1
6	41-4382	ARM - pen lift	1
7	203-180	CHART (31 day, -20 to +85 Fahrenheit, box of 50)	1
	203-252	CHART (31 day, -30 to +25 C, box of 50)	1
	203-219	CHART (31 day, -25 to +25 C, box of 50)	1





REF	PART#	DESCRIPTION	QTY
1	45-2012	THERMOMETER - recording (31 day)	1
	55-7172	SCREW - recorder	4
	55-7170	LOCKWASHER	4
	55-7075	FLATWASHER	4
2	91-8705	BOX - recorder	1
	55-7341	SCREW - box	4
	55-6988	FLATWASHER	4
	55-8953	WASHER - insulating	4
3	92-5547	PLATE - box (bottom)	1
4	91-5006	BRACKET - latch	1
	55-7036	SCREW - plate	2
	55-7033	FLATWASHER	4
	55-7404	LOCKWASHER	2
	55-7354	NUT	2
5	99-7230	GUIDE - latch	1
6	55-9002	SCREW - guide (30 mm)	1
7	55-7340	SCREW - guide (16 mm)	1
8	55-7033	FLATWASHER	4
9	55-9054	LOCKWASHER	1
10	55-9444	WASHER - insulating	4
11	55-7034	NUT	4
12	91-5005	LATCH - cover	1
	55-2988	RIVET - latch	2
13	33-367	GROMMET	1
	55-7354	NUT	2
14	98-7209	COVER - recorder	1
15	91-5007	• PLATE - keeper	1
	55-2988	• RIVET - plate	2
16	91-8707	• WINDOW	1
17	99-7849	• GASKET - cover	4
18	91-8708	HINGE - right (w/ pin)	1
19	91-8725	HINGE - right (w/o pin)	1
20	91-8709	HINGE - left (w/ pin)	1
21	91-8726	HINGE - left (w/o pin)	1
	55-7340	SCREW - hinge	8
	55-7033	FLATWASHER	8
	55-7404	LOCKWASHER	8
22	203-546	CHART - thermometer (31 day)	1



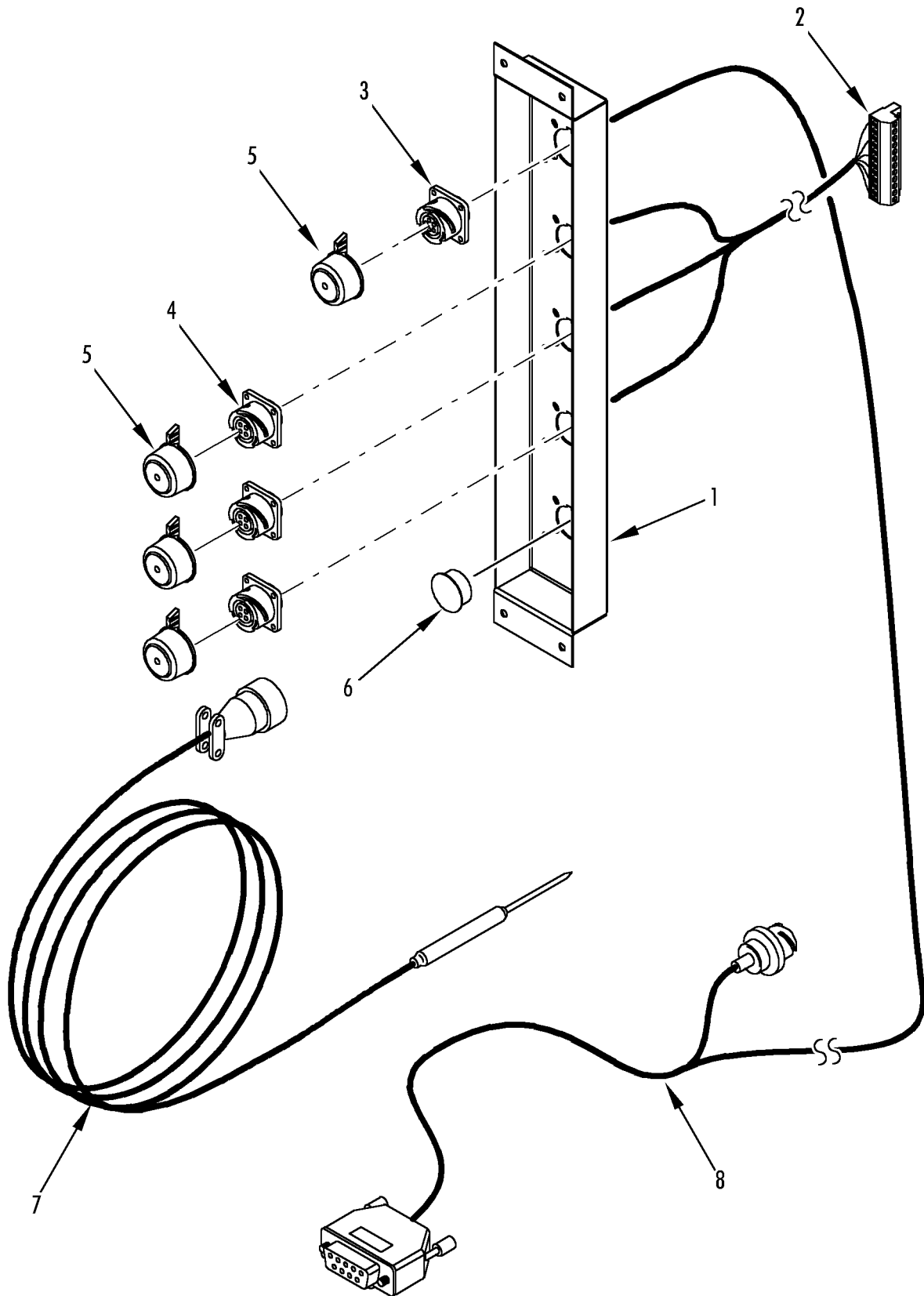
Revised  
2/25/04

**REMOTE MONITOR OPTION (098182 CSR; 098144  
CRR; 098182 CSR)**



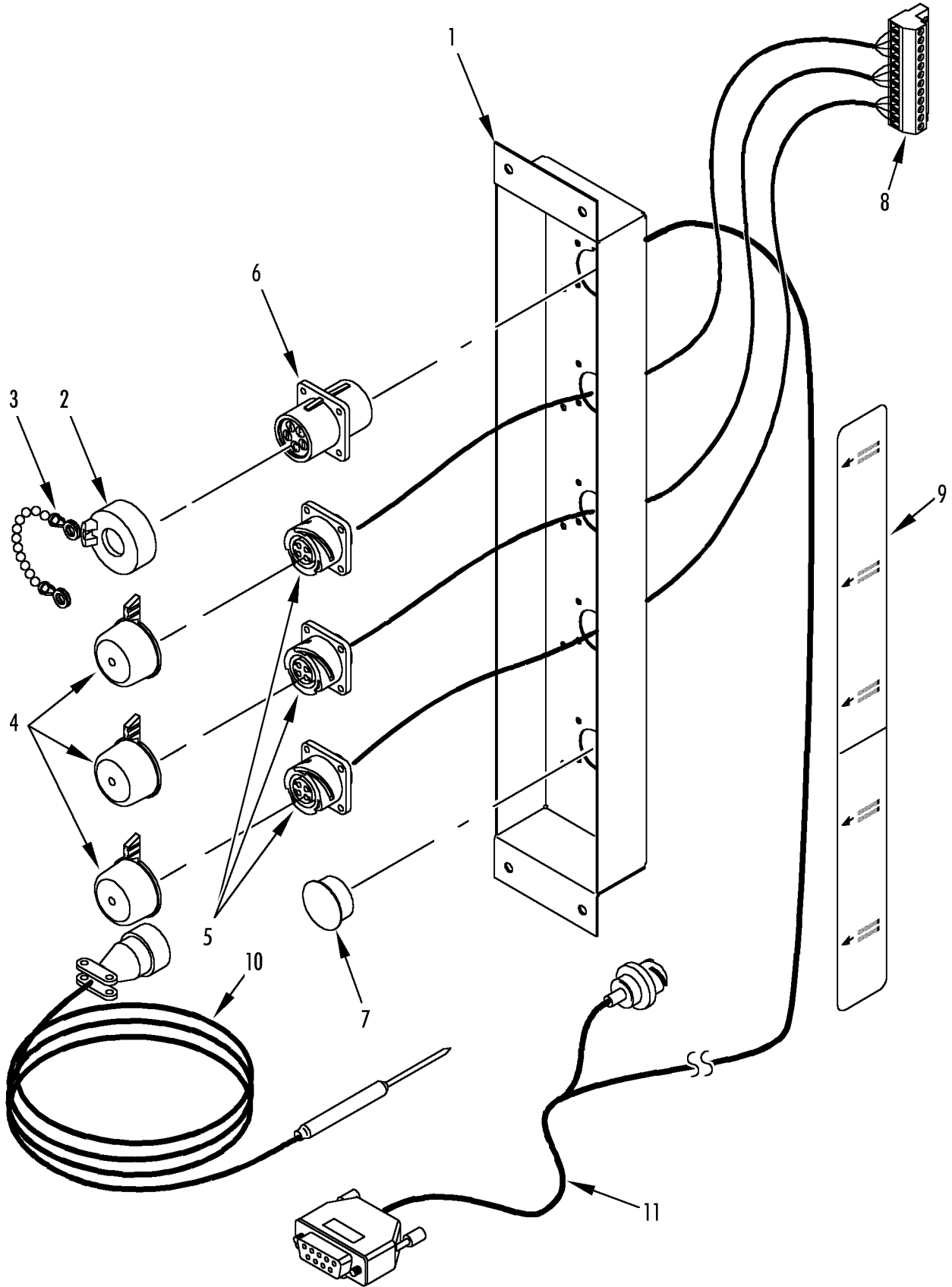
**158A5**

<b>REF</b>	<b>PART#</b>	<b>DESCRIPTION</b>	<b>QTY</b>
1	41-3606	HARNESS - remote monitor	1
2	41-3607	• RECEPTACLE (4 pin)	1
	55-9322	RIVET - receptacle	4
3	92-206	CAP - plug	1
	55-9323	RIVET - cap	1
4	41-5309	CONTACTOR - auxiliary (CSR units)	2





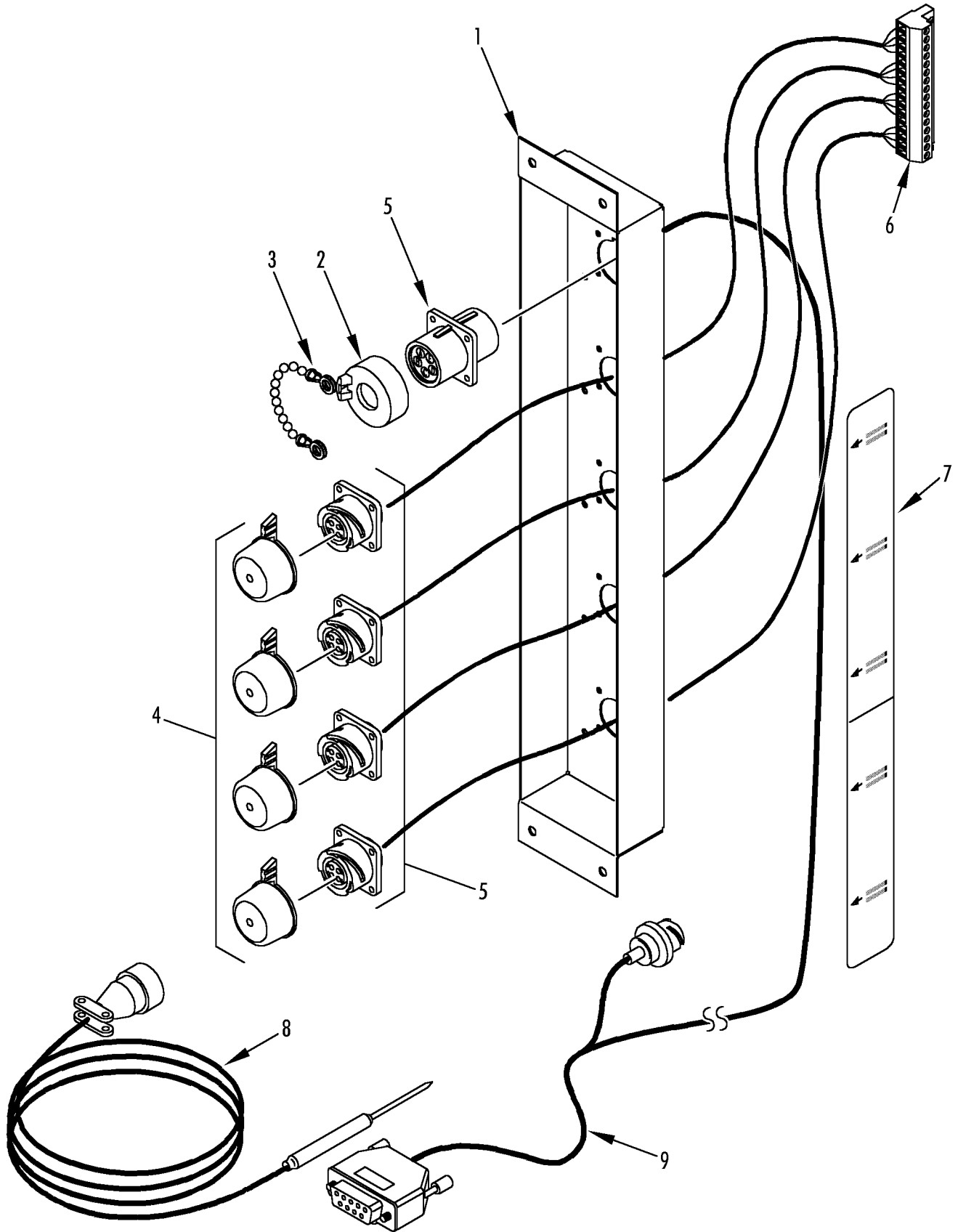
REF	PART#	DESCRIPTION	QTY
	41-3336	PANEL - USDA, assembly	1
1	91-9834	• PANEL - USDA receptacle	1
2	41-3585	• CONNECTOR (12 pin)	1
3	41-3586	• RECEPTACLE (5 pin, cannon, bayonet)	1
4	41-3587	• RECEPTACLE (4 pin, cannon, bayonet)	3
	55-9322	• RIVET - receptacle	16
5	41-3588	• CAP - receptacle	4
	55-3272	• RIVET - cap	4
6	92-206	• CAP - plug	1
	55-9211	RIVET - panel	4
7	41-5405	SENSOR - PT100 (4 pin, cannon, bayonet)	4
8	41-2853	CABLE & PLUG - retriever (cannon threaded)	1







REF	PART#	DESCRIPTION	QTY
1	91-9834	PANEL - USDA receptacle (before 4/00)	1
	92-428	PANEL - USDA receptacle (4/00 & after)	1
	55-3272	RIVET - panel	4
2	41-2406	CAP - dust	1
3	99-3685	CHAIN - cap	1
4	41-3588	CAP - dust	3
	55-9322	RIVET - cap	4
5	304-2772	RECEPTACLE (3 pin, Deutsch)	3
	55-9322	RIVET - connector	16
6	41-2405	RECEPTACLE (5 pin, Deutsch)	1
7	55-9402	PLUG - spare hole	1
8	41-3585	CONNECTOR - plug (12 pin)	1
9	92-243	NAMEPLATE - data download USDA	1
10	41-3107	SENSOR (3 pin, Deutsch, 14 m, NTC)	4
11	41-3402	CABLE & PLUG - retriever (Deutsch)	1



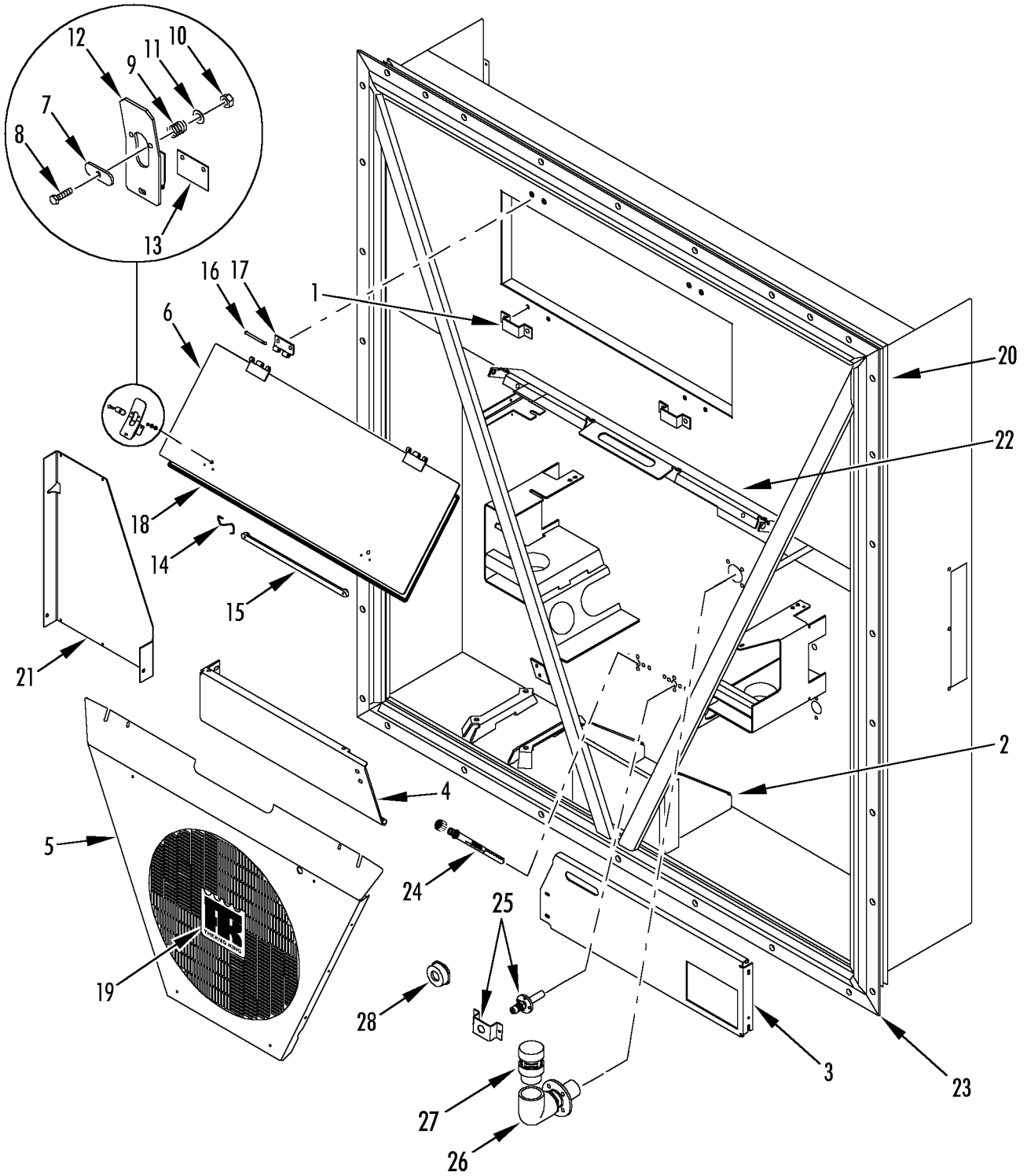
Revised  
3/1/06

# USDA DOWNLOAD PANEL (4-PIN DEUTSCH CONNECTORS)



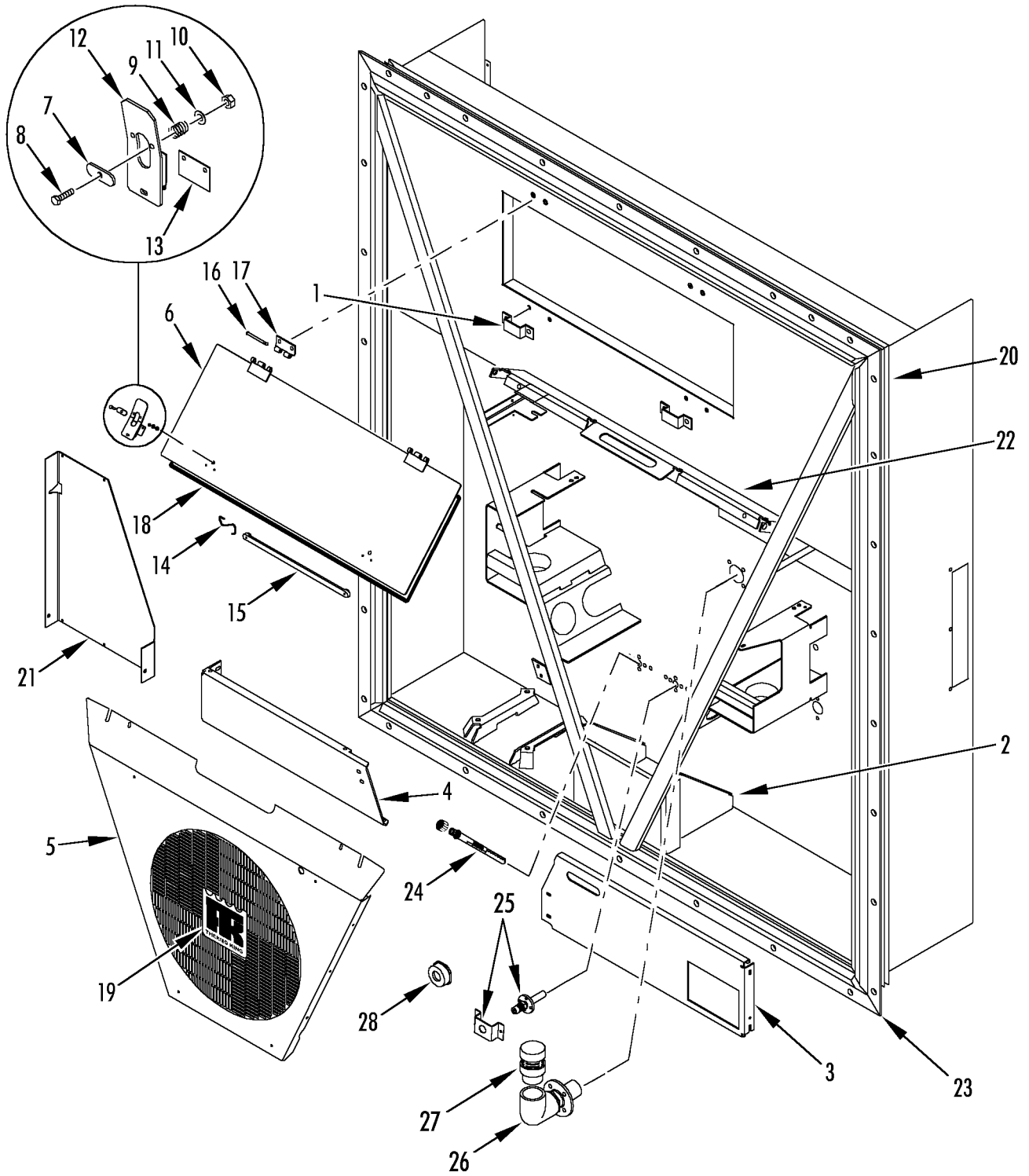
# 189D7

REF	PART#	DESCRIPTION	QTY
1	92-428	PANEL - USDA receptacle	1
	51-1448	RIVET - panel	4
2	41-2406	CAP - dust	1
3	99-3685	CHAIN - cap	1
4	41-3588	CAP - dust	4
	55-9323	RIVET - cap	5
5	41-3587	RECEPTACLE (4 pin, Deutsch)	4
	55-9322	RIVET - connector	16
6	41-5416	CONNECTOR - plug (16 pin)	1
7	92-243	NAMEPLATE - data download (USDA)	1
8	41-3107	SENSOR (3 pin, Deutsch, 14 m, NTC)	4
9	41-3402	CABLE & PLUG - retriever (Deutsch)	1



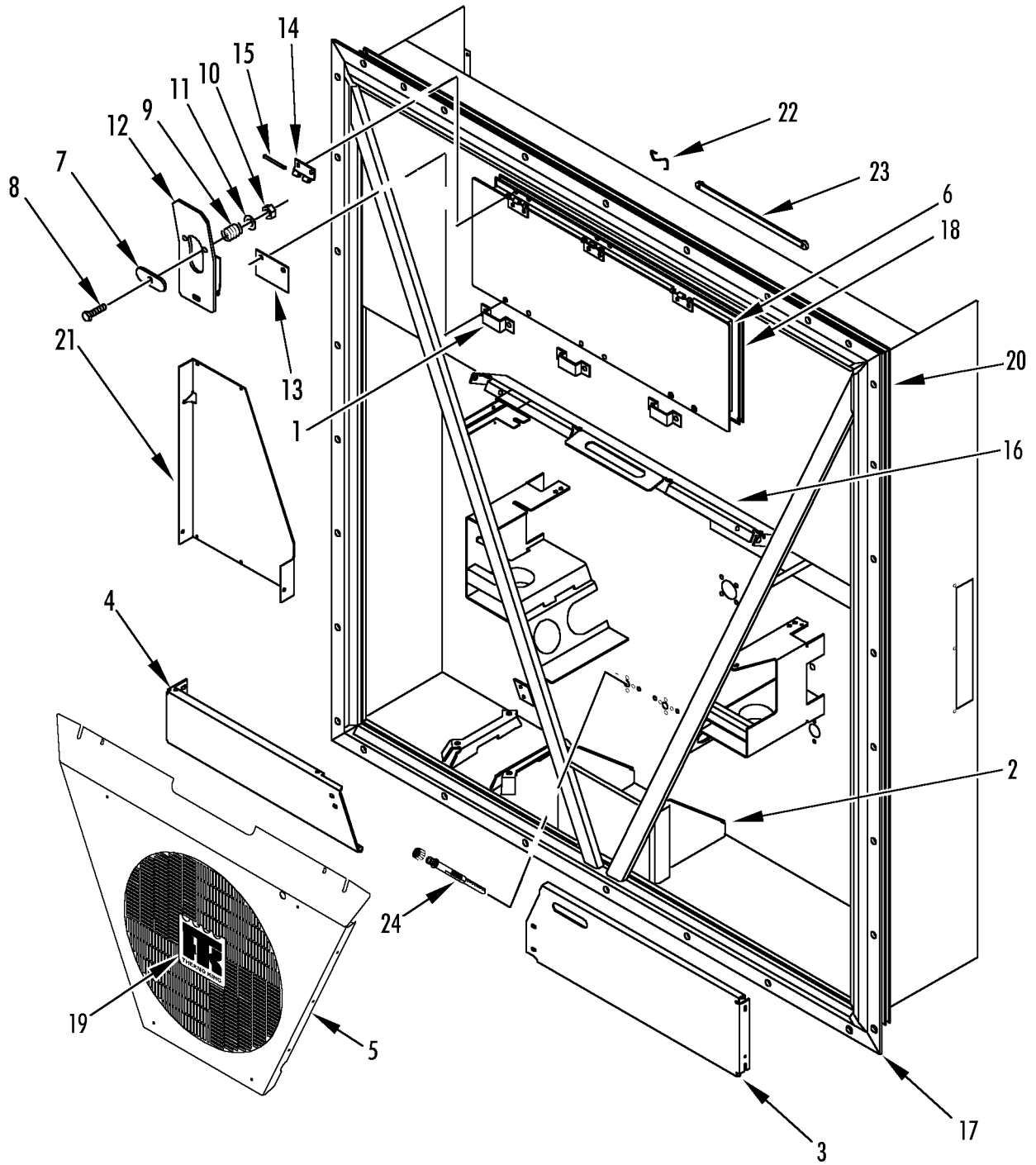


REF	PART#	DESCRIPTION	QTY
1	91-8195	KEEPER - door latch	2
	51-1459	SCREW - keeper	4
	51-1464	WASHER	4
	55-9054	WASHER (vinyl)	4
2	91-8108	BRACKET - frame	1
	51-1442	SCREW - bracket	5
	51-1464	FLATWASHER	5
	55-9054	WASHER (nylon)	5
	51-1425	NUT	3
3	98-6236	PLATE - cable storage (units w/ water cooled cond)	1
	98-6560	PLATE - cable storage (units w/o water cooled cond)	1
	51-1425	NUT	2
	55-9054	WASHER (nylon)	4
	51-1464	FLATWASHER	4
4	91-8474	PLATE - guard	1
	55-7341	SCREW - plate	3
	51-1464	FLATWASHER	6
	55-9054	WASHER - insulation	6
	55-7339	NUT	3
5	98-5925	GRILLE - condenser (see 189C4)	1
	33-3043	GASKET - rubber extrusion	1
	51-1445	SCREW - grille	4
	51-1464	FLATWASHER	4
	55-9054	WASHER (nylon)	4
6	98-6518	DOOR - evaporator (hinged door, blot-on door see 226E3)	1
	98-7430	DOOR - evaporator (Transfresh, see 212G0)	1
7	91-9040	• KNOB	2
8	51-1460	• SCREW - door (TIR seal)	2
9	91-8199	• SPRING	2
10	55-7354	• NUT	2
11	51-619	• WASHER (nylon)	2
12	91-9041	• LATCH - door	2
	55-3101	• RIVET - latch	4
13	91-8134	• INSULATOR - latch	2
14	91-9039	• HOOK - strap	1
15	509-937	• STRAP - door	1
	51-801	• SCREW - strap	1
	51-167	• FLATWASHER	2
16	91-8256	• PIN - hinge (w/snap)	2
17	509-1654	• HINGE - frame	2





REF	PART#	DESCRIPTION	QTY
	51-1460	SCREW - hinge (TIR seal)	4
	55-9541	WASHER (nylon)	4
18	33-3969	GASKET - evaporator door	1
19	91-8475	NAMEPLATE - TK	1
20	33-2983	GASKET - unit	1
21	91-8728	COVER (instead of thermometer)	1
	51-1467	SCREW - cover	3
	55-6988	FLATWASHER	3
22	92-891	BRACKET - safety hook	1
	55-8559	SCREW - bracket	4
	55-7085	FLATWASHER	8
	55-9541	WASHER (nylon)	8
23	98-6771	FRAME - condenser (Maersk, WCC)	1
	98-7418	FRAME - condenser (w/ nitrogen ports)	1
	98-7410	FRAME - condenser (WCC)	1
	98-7424	FRAME - condenser	1
	98-7446	FRAME - condenser (Transfresh)	1
24	91-9754	POCKET - sensor	2
25	91-9949	PORT - injection (optional)	2
	51-1448	RIVET - port	4
26	91-9950	HOUSING - relief valve	1
	51-1448	RIVET - housing	4
27	91-9951	VALVE - pressure relief	1
28	61-2271	VALVE - vacuum	1



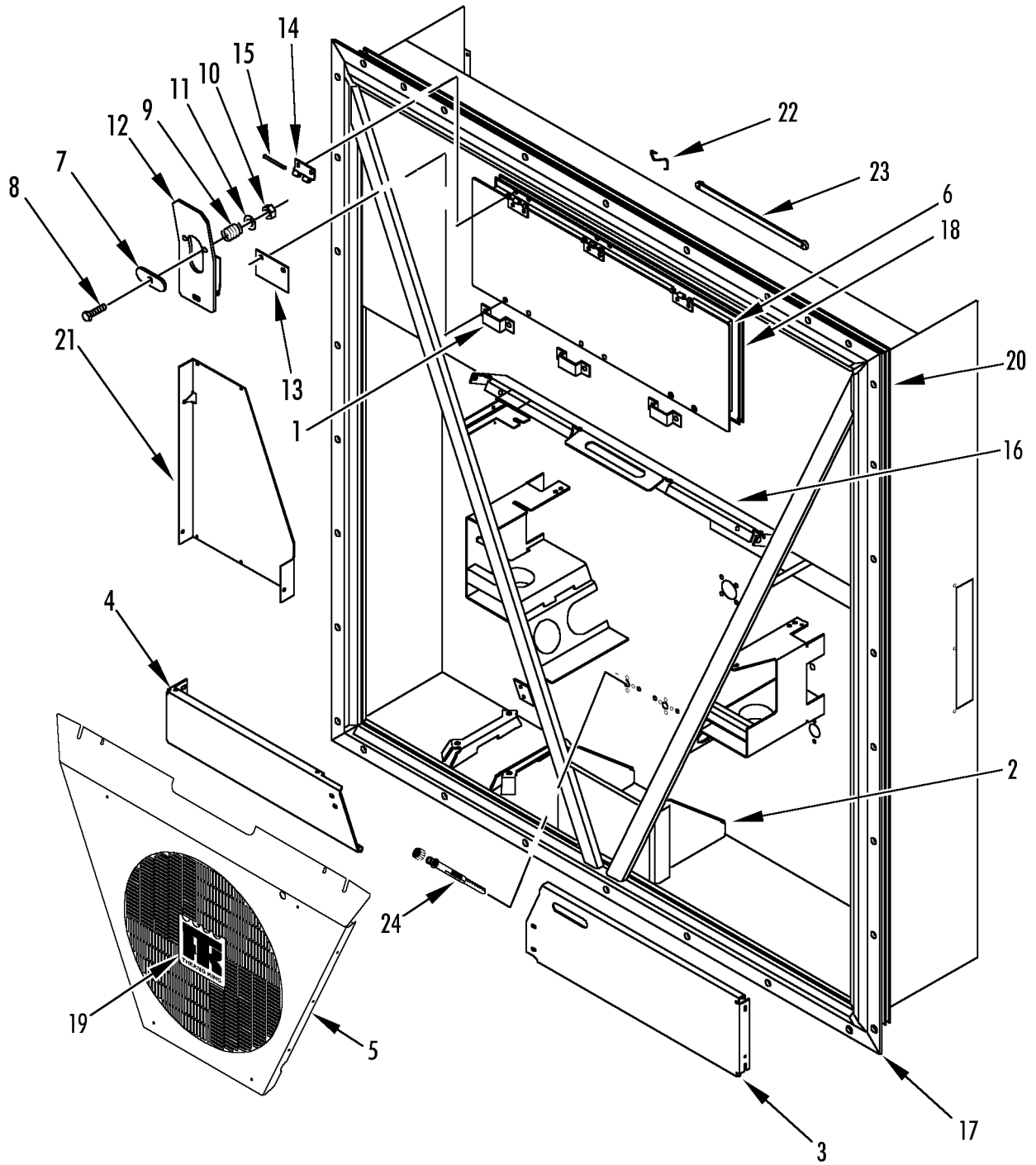


**CONDENSER COMPONENTS (20 ft CONTAINER,  
THREE FANS)**



**183B7**

REF	PART#	DESCRIPTION	QTY
1	91-8195	KEEPER - door latch	3
	55-9312	SCREW - keeper (TIR seal)	6
	55-6995	WASHER	6
	55-9054	WASHER (nylon)	6
	55-8877	WASHER (nylon)	6
2	91-8108	BRACKET - frame	1
	55-6993	SCREW - bracket	3
	55-6988	WASHER	6
	55-9541	WASHER (nylon)	6
	55-9380	NUT	3
3	91-6560	PLATE - cable storage (front)	1
	55-9168	NUT	2
	55-9054	WASHER (nylon)	6
	55-6994	SCREW - plate	2
	55-6695	FLATWASHER	6
	55-8933	WASHER (nylon)	6
4	91-8474	PLATE - guard	1
	55-7341	SCREW - plate (20 mm)	2
	55-6993	SCREW - plate (25 mm)	2
	55-7339	NUT	6
	55-8904	FLATWASHER	6
	55-8953	WASHER - insulation	6
5	98-5925	GRILLE - condenser	1
	55-6994	SCREW - grille	4
	55-6995	FLATWASHER	4
	55-9054	WASHER (nylon)	4
6	509-755	DOOR - evaporator	1
	92-2995	HINGE - evap door	3
	51-620	RIVET - hinge	12
7	91-9040	KNOB	3
8	55-7035	SCREW - door	3
9	91-8199	SPRING	3
10	55-7354	NUT	3
11	55-9054	WASHER (nylon)	3
12	91-9041	LATCH - door	3
	55-2864	RIVET - latch	6
13	91-8134	INSULATOR - latch	3
14	509-1654	HINGE	3
	55-9313	SCREW - hinge (TIR seal)	6
	55-9541	WASHER (nylon)	6
15	91-8256	PIN - hinge (w/ snap)	3
16	92-891	BRACKET - safety hook	1



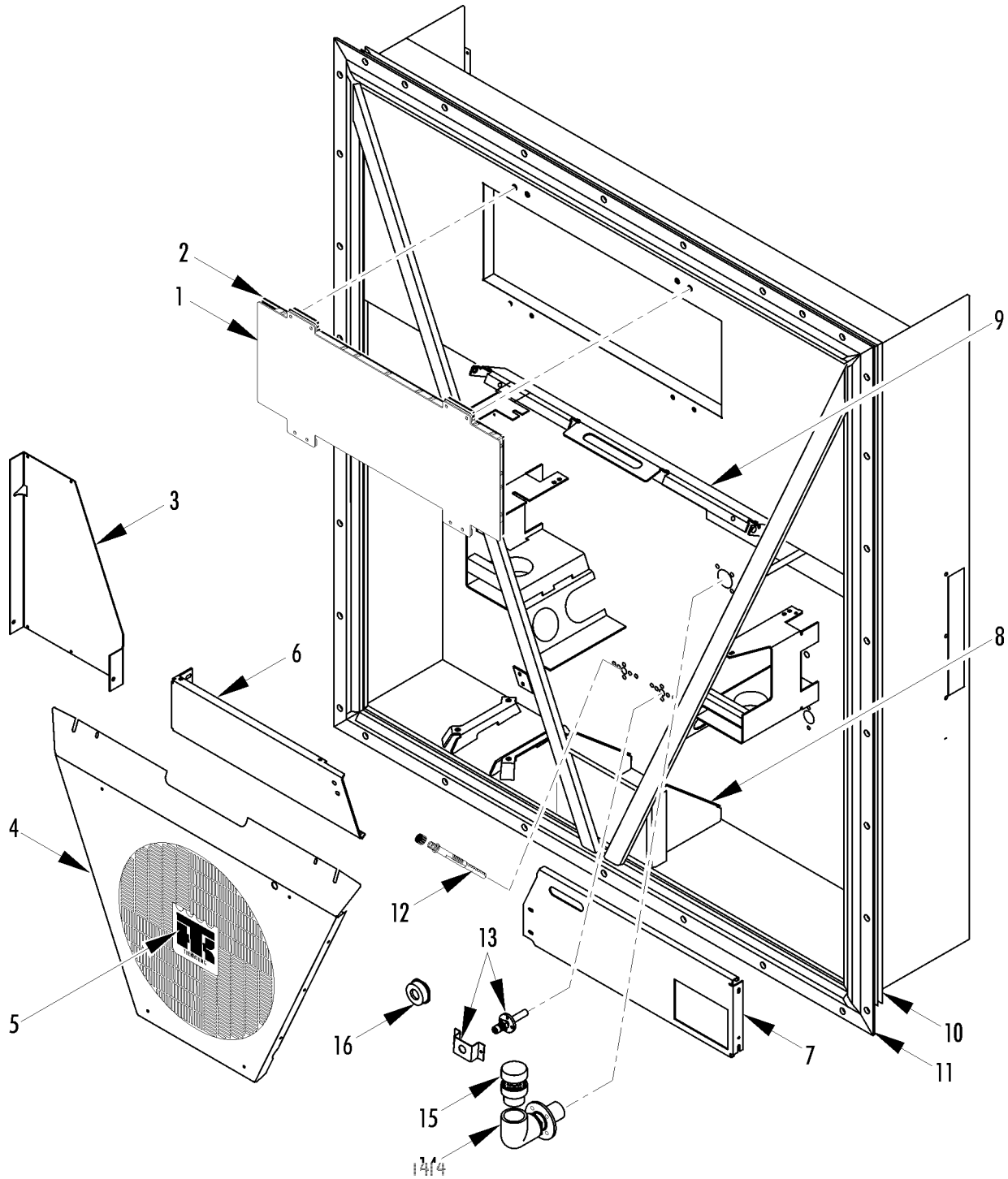
Revised  
3/1/06

**CONDENSER COMPONENTS (20 ft CONTAINER,  
THREE FANS)**



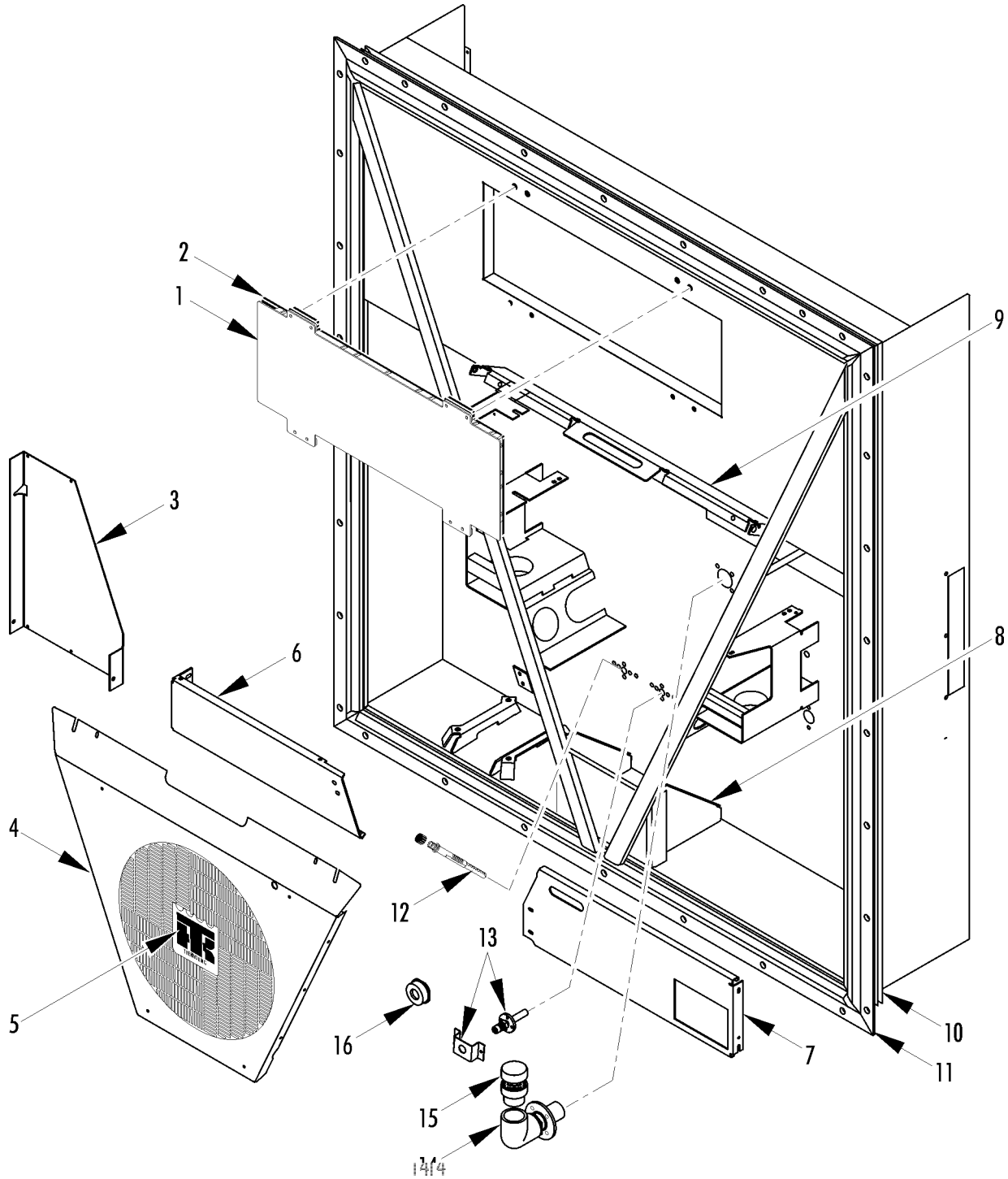
**183B7**

REF	PART#	DESCRIPTION	QTY
	55-6993	SCREW - bracket	4
	55-7085	WASHER	8
	55-9541	WASHER (nylon)	8
17	98-6563	FRAME - condenser	1
18	33-3968	GASKET - evaporator door	1
19	91-9511	NAMEPLATE - TK	1
20	33-2983	GASKET - unit	1
21	91-8728	COVER (instead of thermometer)	1
	55-7391	SCREW - cover	3
	55-6988	FLATWASHER	3
22	91-9039	HOOK - strap	1
	55-3065	CLAMP - hook	1
	55-9166	SCREW - clamp	1
23	509-937	STRAP - door	1
	55-9173	SCREW - strap	1
	55-7089	FLATWASHER	2
24	91-9754	POCKET - sensor	2



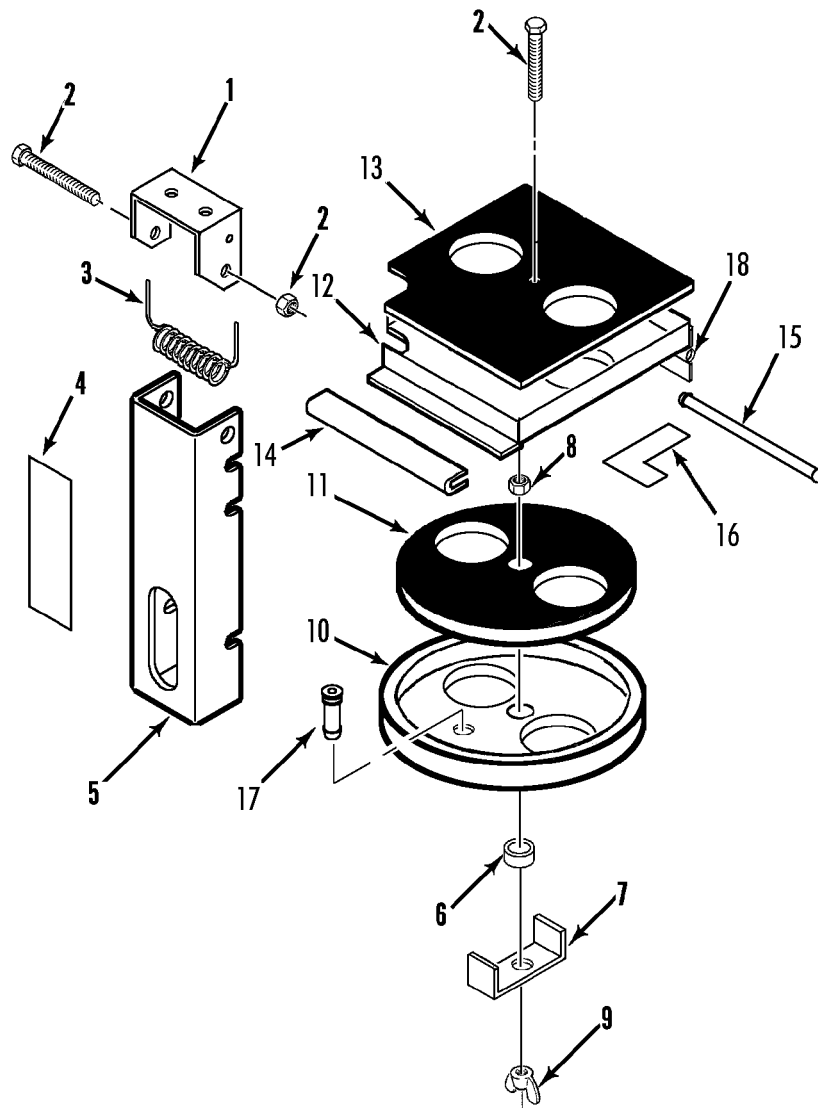


REF	PART#	DESCRIPTION	QTY
1	98-7691	DOOR - evaporator (bolt-on door)	1
	51-1460	SCREW - door (M8, TIR seal)	4
	51-1430	FLATWASHER (M8)	4
	55-9541	WASHER (M8, nylon)	4
	51-1459	SCREW - door (M6, TIR seal)	4
	51-1464	FLATWASHER (M6)	4
	55-9054	WASHER (M6, nylon)	4
2	33-3969	GASKET - evaporator door	1
3	91-8728	COVER (instead of thermometer)	1
	51-1467	SCREW - cover	3
	51-1444	FLATWASHER	3
4	98-5925	GRILLE - condenser (see 189C4)	1
	33-3043	GASKET - rubber extrusion	1
	51-1445	SCREW - grille	4
	51-1464	FLATWASHER	4
	55-9054	WASHER (nylon)	4
5	91-8475	NAMEPLATE - TK	1
6	91-8474	PLATE - guard	1
	55-7341	SCREW - plate	3
	51-1464	FLATWASHER	6
	55-9054	WASHER - insulation	6
	55-7339	NUT	3
7	98-6560	PLATE - cable storage (units w/o water cooled cond)	1
	98-6236	PLATE - cable storage (units w/ water cooled cond)	1
	51-1425	NUT	2
	55-9054	WASHER (nylon)	4
	51-1464	FLATWASHER	4
8	91-8108	BRACKET - frame	1
	51-1442	SCREW - bracket	5
	51-1425	NUT	3
	55-9054	WASHER (nylon)	5
	51-1464	FLATWASHER	5
9	92-891	BRACKET - safety hook	1
	51-1443	SCREW - bracket	4
	51-1430	FLATWASHER	4
	55-9541	WASHER (nylon)	4
10	33-2983	GASKET - unit	1
11	98-7424	FRAME - condenser	1
	98-7410	FRAME - condenser (WCC)	1
	98-7446	FRAME - condenser (Transfresh)	1
	98-7418	FRAME - condenser (w/ nitrogen ports)	1
	98-6771	FRAME - condenser (Maersk, WCC)	1





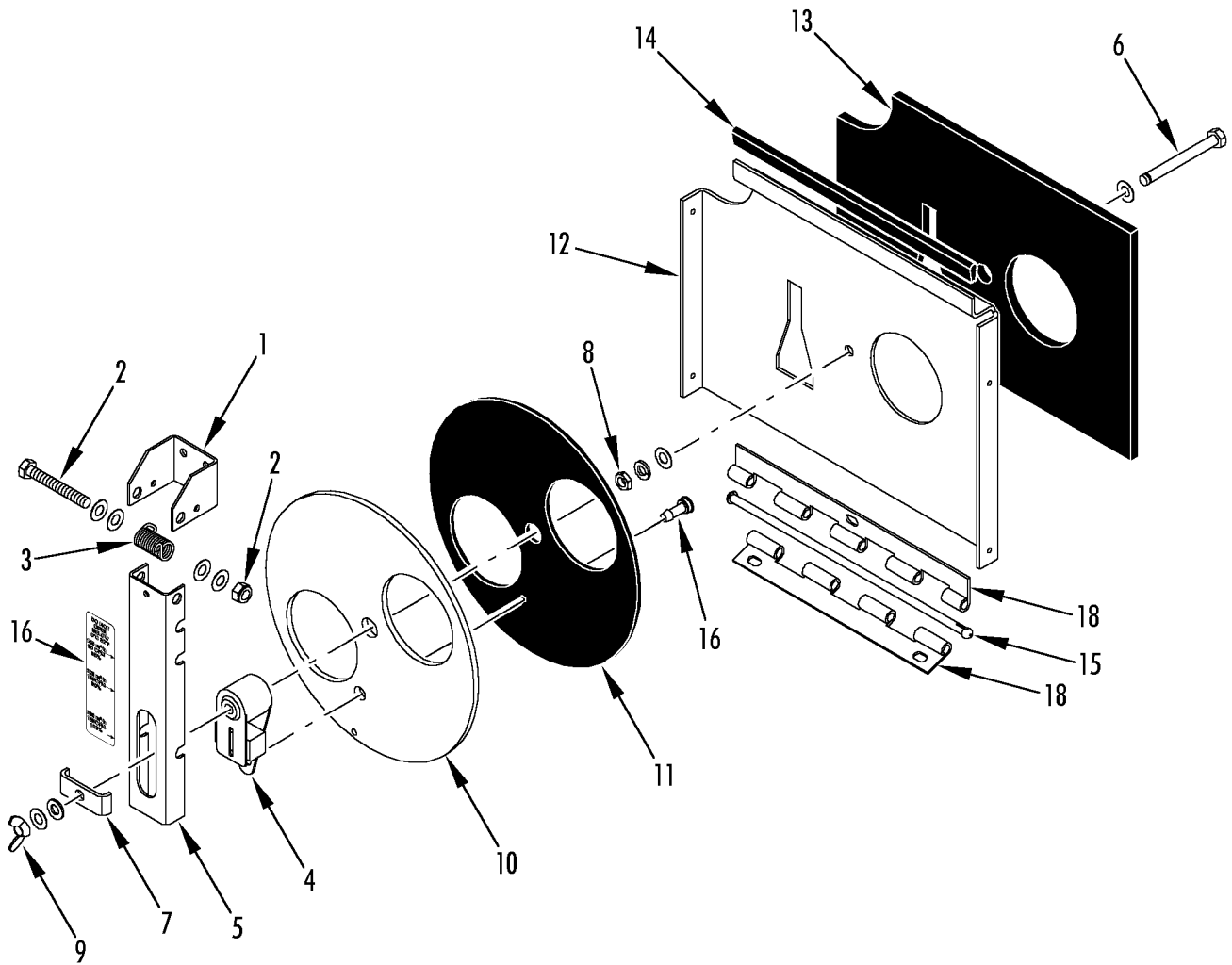
REF	PART#	DESCRIPTION	QTY
12	91-9754	POCKET - sensor	2
13	91-9949	PORT - injection (optional)	2
	51-1448	RIVET - port	4
14	91-9950	HOUSING - relief valve	1
	51-1448	RIVET - housing	4
15	91-9951	VALVE - pressure relief	1
16	61-2271	VALVE - vacuum	1





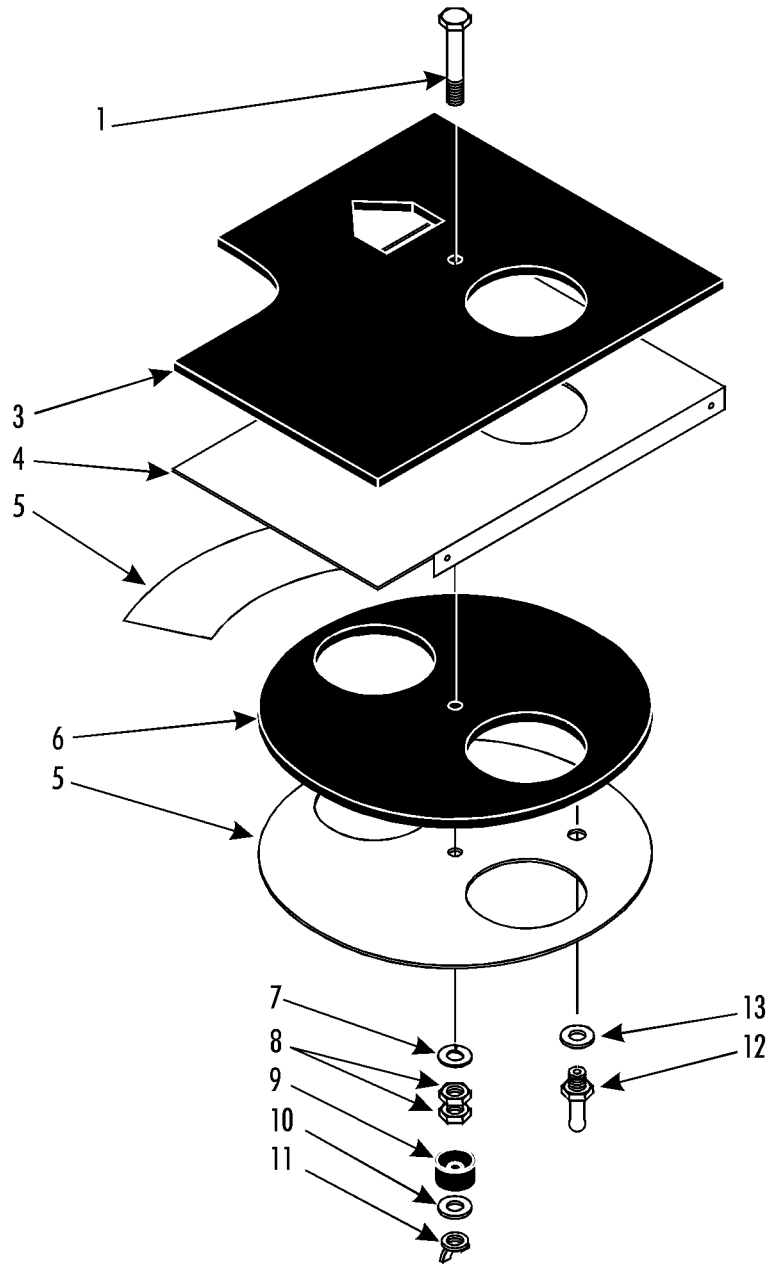


REF	PART#	DESCRIPTION	QTY
	91-8252	VENT - air (complete)	1
1	91-9048	• BRACKET - air vent handle	1
2	51-1426	• SCREW - handle	1
	51-1474	• SCREW (M8 x 1.25 x 65, ss)	1
	55-9541	• WASHER (nylon)	4
	51-1427	• NUT	1
3	91-8100	• SPRING	1
4	92-440	• NAMEPLATE - Do Not Open Below 0 C	1
5	91-8102	• HANDLE - air vent	1
6	77-2467	• BEARING - slide	1
7	91-8104	• BRACKET - handle	1
8	51-1428	• NUT	2
	51-1429	• LOCKWASHER	1
	51-1430	• FLATWASHER	1
9	51-1431	• NUT - wing	1
10	91-8103	DISK - air vent	1
11	33-4255	• GASKET - air vent	1
12	91-8105	• PLATE - air vent	1
	55-7172	• SCREW - plate	4
	55-7075	• FLATWASHER	4
	55-9541	• WASHER (nylon)	4
13	33-2944	• GASKET - air vent	1
14	91-8663	• PROTECTOR - edge	1
15	91-8106	• PIN - hinge	1
16	91-8107	• NAMEPLATE - Do Not Open Below 0 C	1
17	55-9168	• ADAPTER - hose	1
18	92-411	• HINGE - air vent	1
	51-619	SCREW - vent	8
	55-8933	WASHER - insulator (6.4 id)	4
	55-7075	FLATWASHER	4
	55-9054	WASHER - insulator (8.4 id)	6
	51-167	FLATWASHER	6
	55-7339	NUT	6



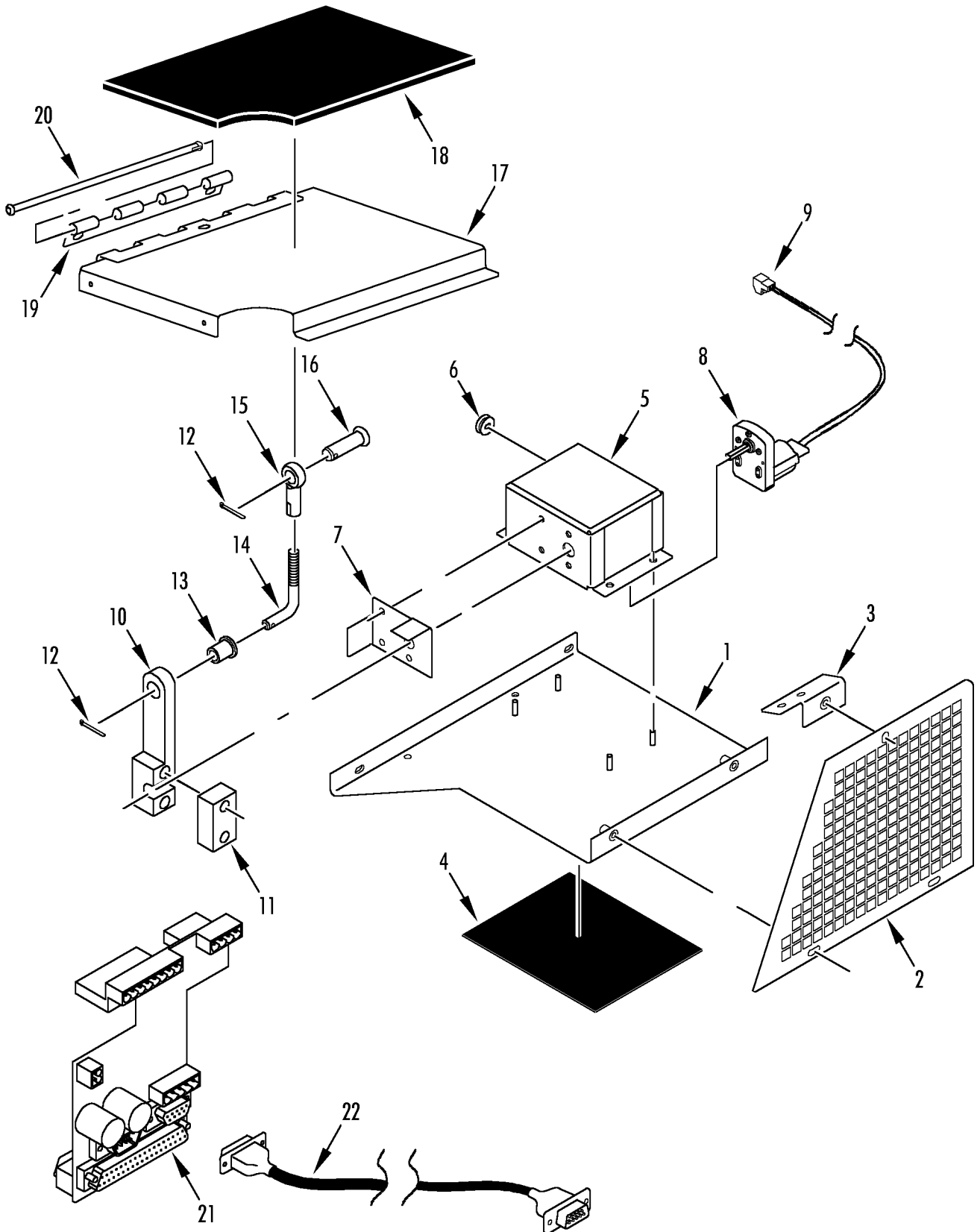


REF	PART#	DESCRIPTION	QTY
1	91-9048	BRACKET - air vent handle	1
2	55-9442	SCREW - handle	1
	55-9541	WASHER - insulation	4
	51-1427	NUT	1
3	91-8100	SPRING	1
4	41-5666	DEVICE - door position sensor	1
5	91-8102	HANDLE - air vent	1
6	51-1458	SCREW - disk	1
7	91-8104	BRACKET - handle	1
8	51-1211	NUT	2
	51-1429	LOCKWASHER	1
	51-1430	FLATWASHER	1
	55-9541	WASHER - insulating	3
9	51-1431	NUT - wing	1
10	91-8103	DISK - air vent	1
11	33-4255	GASKET - air vent	1
12	509-753	PLATE - air vent	1
	55-7172	SCREW - plate	4
	55-7075	FLATWASHER	4
	55-8877	WASHER (nylon)	4
13	33-2944	GASKET - air vent	1
14	91-8663	PROTECTOR - edge	1
15	91-8106	PIN - hinge	1
16	92-440	NAMEPLATE - Do Not Open Below 0 C	1
17	55-9168	ADAPTER - hose	1
18	92-411	HINGE - air vent	1
	55-6994	SCREW - vent hinge	8
	51-167	FLATWASHER	4
	55-9541	WASHER - insulator (8.4 id)	6
	55-7339	NUT	6



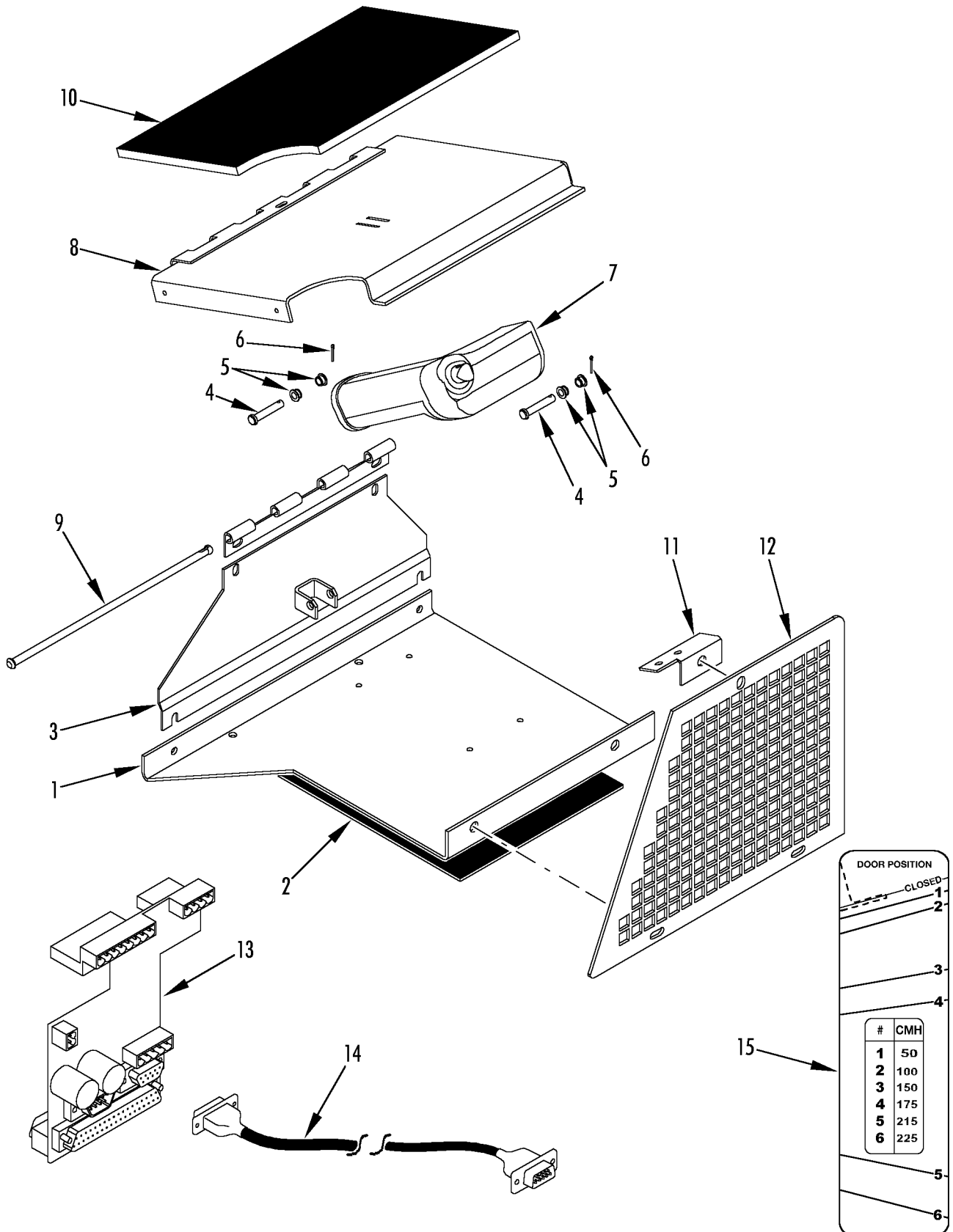


REF	PART#	DESCRIPTION	QTY
1	55-7349	SCREW - air vent	1
2	92-240	PLATE - air vent	1
3	33-3214	• GASKET - air vent	1
	55-7172	SCREW	6
	55-7075	FLATWASHER	6
	55-8877	WASHER (nylon)	6
4	92-241	LABEL - air ventilation	1
5	91-8103	DISK - air vent	1
6	33-2967	• GASKET	1
7	55-7342	LOCKWASHER	1
8	55-7825	NUT	2
9	92-242	BEARING - slide	1
10	55-7085	FLATWASHER	1
11	55-8888	NUT - wing	1
12	55-9168	BARB - hose adapter	1
13	55-8886	WASHER (nylon)	1





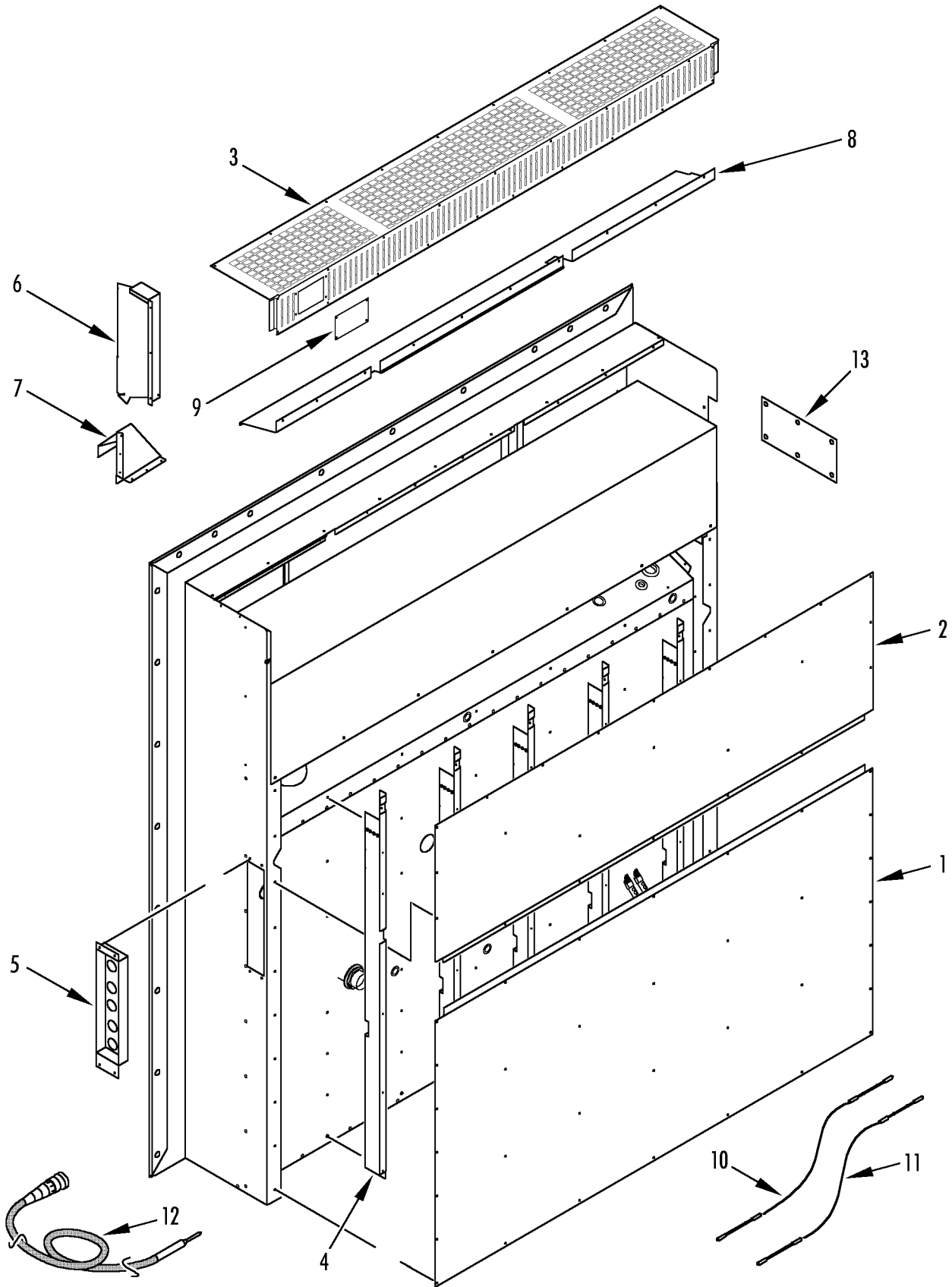
REF	PART#	DESCRIPTION	QTY
1	92-412	BRACKET - motor box	1
	55-7172	SCREW - bracket	2
	51-167	WASHER	2
	51-619	WASHER - insulator	2
2	92-415	GRILLE - fresh air	1
	55-7172	SCREW - grille	3
	51-167	WASHER	3
	51-619	WASHER - insulator	3
3	92-416	BRACKET - receptacle	1
	55-7172	SCREW - bracket	2
4	33-3264	GASKET - receptacle (10 x 10)	1
5	92-414	HOUSING - motor	1
	55-7404	LOCKWASHER	4
	55-7033	FLATWASHER	4
	55-7367	NUT	4
6	33-314	GROMMET	1
7	92-413	BRACKET - mechanical stop	1
	55-7862	SCREW - bracket	4
	203-393	SEALER - thread	A/R
8	41-3674	MOTOR - damper (24VDC)	1
9	41-2832	CONNECTOR - plug (2 pin)	1
10	92-418	LINKAGE	1
11	92-417	LINKAGE	1
	55-7027	SCREW - linkage	2
	55-8893	WASHER	4
	55-7042	NUT	2
12	55-3537	PIN - cotter	2
13	55-9338	WASHER - shoulder	1
14	92-419	ROD - linkage	1
15	11-4929	BALL JOINT	1
	92-5521	BALL JOINT	1
16	55-9437	RETAINER - pin	1
17	92-420	VENT - air	1
18	33-3265	GASKET - air vent	1
19	92-411	HINGE - plate	1
20	91-8106	PIN - hinge (w/ snap)	1
21	41-3583	BOARD - interface (AFAM+)	1
22	41-3584	CABLE - AFAM/AFAM+	1





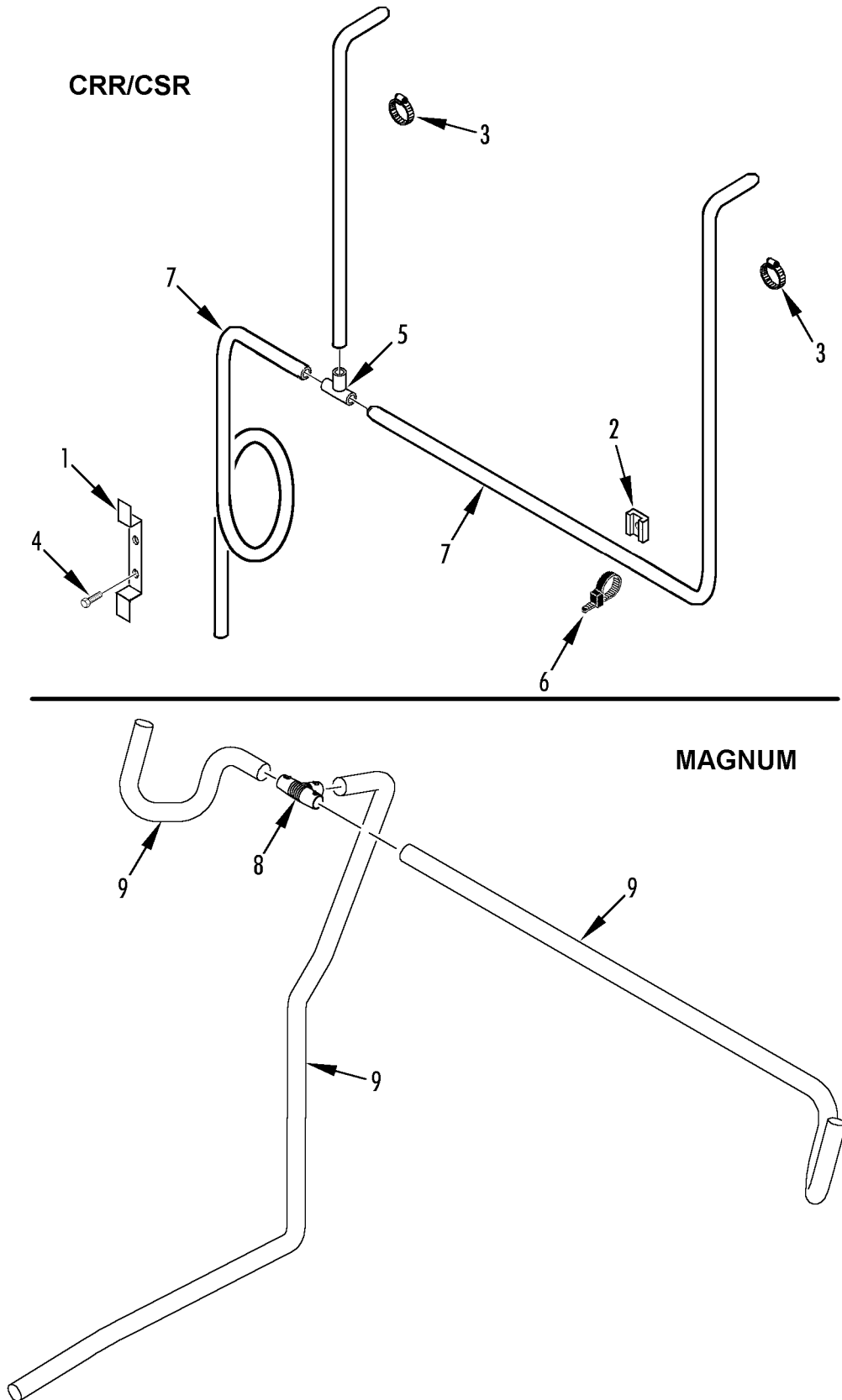


REF	PART#	DESCRIPTION	QTY
1	92-5685	BRACKET - air vent	1
	55-6994	SCREW - bracket	2
	51-619	WASHER - insulator	2
	51-167	FLATWASHER	2
2	33-3264	GASKET	1
3	92-5686	BRACKET - rear	1
	51-1445	SCREW - bracket	2
	51-1464	FLATWASHER	2
	55-9054	WASHER - insulator	2
4	51-1496	PIN - clevis	2
5	77-2870	BEARING	4
6	55-2550	PIN - cotter	2
7	41-7238	ACTUATOR	1
8	92-5687	DOOR - AFAM	1
9	91-8106	PIN - hinge	1
10	33-3265	GASKET - air vent	1
11	92-416	BRACKET - grille	1
	51-1445	SCREW - bracket	2
	55-9054	WASHER - insulator	2
	51-1464	FLATWASHER	2
12	92-415	GRILLE - fresh air	1
	51-1422	SCREW - grille	3
	41-1441	FLATWASHER	3
	51-619	WASHER - insulator	3
13	41-3583	BOARD - interface	1
14	41-3584	CABLE - AFAM/AFAM+	1
15	92-5201	LABEL - AFAM door position	1



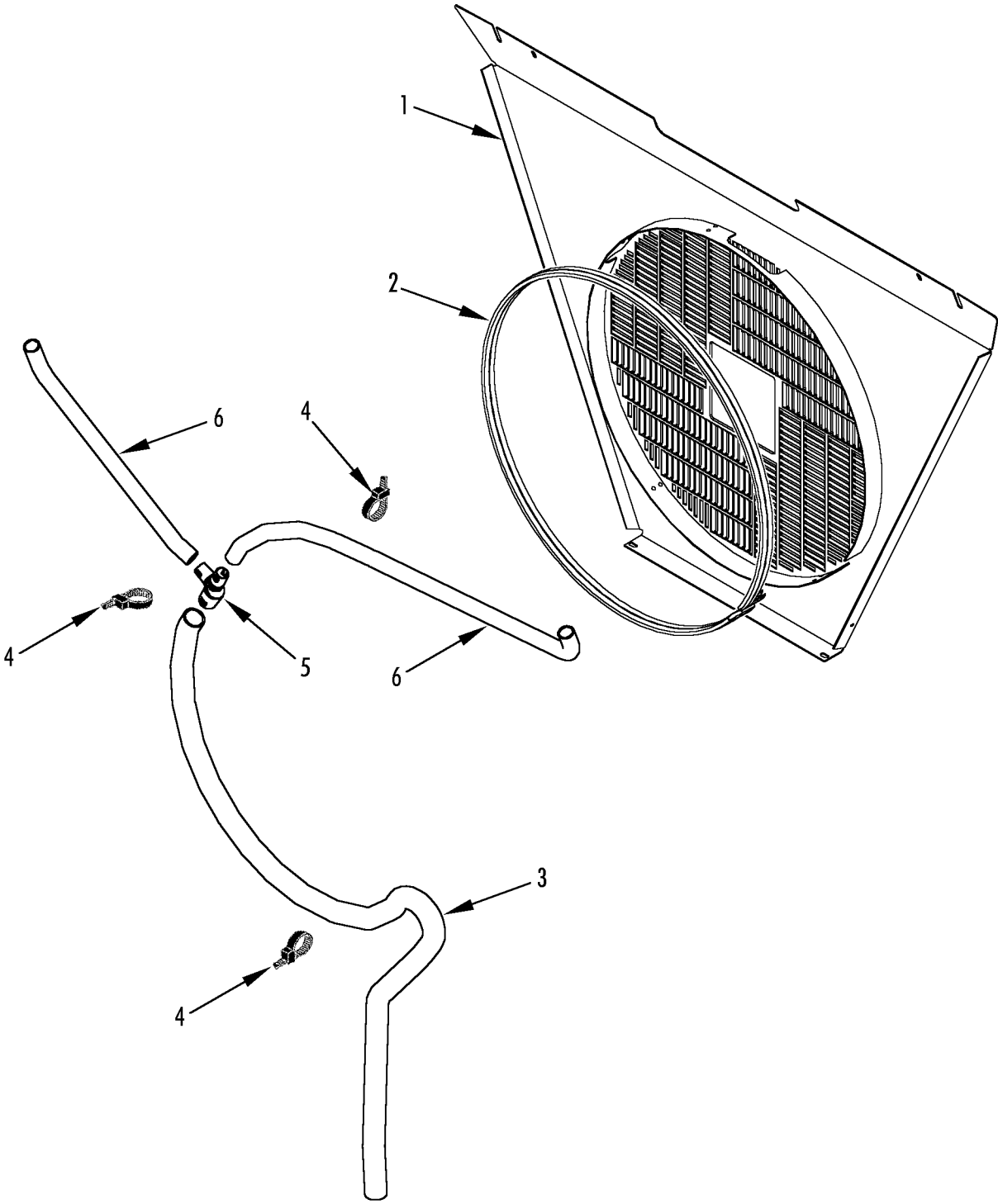


REF	PART#	DESCRIPTION	QTY
1	98-5773	PLATE - rear (bottom)	1
2	98-5772	PLATE - rear (top)	1
	51-336	SCREW - plate	23
	55-9444	WASHER - insulating	23
	55-3136	RIVET - plate	29
3	98-5774	GRILLE - evaporator (MAGNUM)	1
	98-5923	GRILLE - evaporator (MAGNUM 924)	1
	98-6556	GRILLE - evaporator (MAGNUM 40-SL)	1
	98-6565	GRILLE - evaporator (MAGNUM 20)	1
	55-3136	RIVET - grille	17
4	92-427	CHANNEL - Z (100 mm deep)	5
	92-2774	CHANNEL - Z (57 mm deep)	5
	91-9922	CHANNEL - Z (MAGNUM 20)	5
	51-621	RIVET - channel	39
5	NSS	PANEL - USDA receptacle (see 157H2 & 189D7)	1
6	92-2773	CHANNEL - air (MAGNUM)	1
	91-9923	CHANNEL - air (MAGNUM SL 40 & 20)	1
	203-389	SEALER - polyurethane	A/R
	55-8891	SCREW - channel	6
7	91-9330	INLET - fresh air (MAGNUM)	1
	91-9924	INLET - fresh air (MAGNUM SL 40 & 20)	1
	55-9323	RIVET - inlet	10
	203-389	SEALER - polyurethane	A/R
8	91-9331	CHANNEL - fresh air	1
	55-9323	RIVET - channel	8
9	98-5775	PLATE - cover (Transfresh)	1
	55-7713	RIVET - plate	4
10	41-2554	CABLE - Transfresh (option 098150)	1
11	41-2555	CABLE - Transfresh (option 098150)	1
12	41-5405	SENSOR - PT100 (option 098106)	2
13	92-722	PLATE - cover	1
	55-2262	RIVET - plate	6



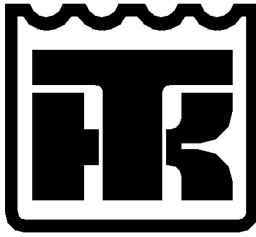


REF	PART#	DESCRIPTION	QTY
1	91-8244	BRACKET - hose	1
2	99-3281	MOUNT - cable tie	5
	55-2260	RIVET - mount	5
3	55-2686	CLAMP - hose	2
4	55-8891	SCREW - bracket	2
5	55-9208	CONNECTOR - T (hose)	1
6	55-2330	BANDWRAP	6
7	11-8983	HOSE - flex	1
8	11-9575	T-DRAIN	1
	11-9735	T-DRAIN (after 9/03)	1
9	11-9576	HOSE - flex (11/01 & after)	A/R





REF	PART#	DESCRIPTION	QTY
1	98-5925	GRILLE - condenser (see 189C2)	1
2	33-3043	GASKET - grille (extrusion)	1
3	11-9734	HOSE - drain (29 mm id, cut as required)	A/R
	11-9576	HOSE - drain (21 mm id, cut as required)	A/R
4	55-2330	BANDWRAP	A/R
5	11-9735	TEE - drain hose	1



1



2

# THERMO KING

3

**WARNING**  
FANS START  
AUTOMATICALLY

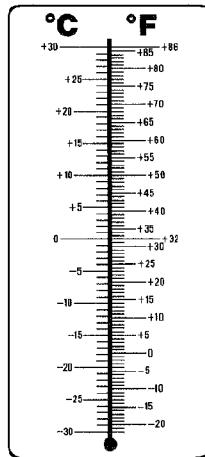
5

**WARNING**  
Hot Components  
Compressor discharge  
may be hot!

6

**WARNING**  
CONSULT MAINTENANCE MANUAL FOR  
PRECAUTIONS BEFORE WELDING  
ON CONTAINER OR REFRIGERATION UNIT.

1. Disconnect all power to the refrigeration unit.
2. Disconnect all quick-disconnect wire harnesses.
3. Switch all of the electrical circuit breakers in the control box to the OFF position.
4. Weld unit and/or container per normal welding procedures. Keep ground return electrode as close to the area to be welded as practical. This will reduce the likelihood of stray welding currents passing through any electrical or electronic circuits.
5. When the welding operation is completed, the unit power cables, wiring and circuit breakers must be restored to their normal condition.



7

**WARNING !**  
TURN POWER OFF  
BEFORE DISCONNECTING  
DATALOGGER OR  
CONTROLLER.

8

**TRANSFRESH  
DATA  
CONNECTOR  
A 3**

11

**TRANSFRESH  
SCRUBBER  
CONNECTOR  
A 5**

12

DATA  
DOWNLOAD  
PORT

USDA #1/  
SPARE 1

USDA #2/  
SPARE 2

USDA #3/  
SPARE 3

PULP/  
SPARE 5

**DO NOT  
OPEN  
BELOW  
0°C 32°F**

150 m<sup>3</sup>/h  
90 CFM  
55%

225 m<sup>3</sup>/h  
135CFM  
80%

280 m<sup>3</sup>/h  
165CFM  
100%

15

**DO NOT OPEN BELOW 0°C 32°F**

CLOSED

CO2  
ADAPTER

15 m<sup>3</sup>/h  
9 CFM  
5%

35 m<sup>3</sup>/h  
21 CFM  
10%

50 m<sup>3</sup>/h  
30 CFM  
20%

75 m<sup>3</sup>/h  
45 CFM  
25%

100 m<sup>3</sup>/h  
60 CFM  
35%

125 m<sup>3</sup>/h  
75 CFM  
45%

16

**WARNING**

**Do Not Operate Scroll  
Compressor with Service or  
Receiver Tank Valves Closed.  
Compressor Damage Will  
Occur.**

13

**▲ WARNING ▲** Make sure container is vented before entering, may contain low oxygen condition.

**▲ WARNUNG ▲** Vergewissern Sie sich, dass der Container vor dem Eintraten belüftet ist, um Sauerstoffmangel auszuschließen!

**▲ ADVERTENCIA ▲** Cértese de que el contenedor esté ventilado antes de entrar. Puede encontrarse en condiciones de poco oxígeno.

**▲ 警告 ▲** 入れがき前にコンテナ内を換気が行われていないことを確認してください。酸素不足の状態が発生する可能性があります。

**▲ 警告 ▲** 購置前に進入之前對容 器進行換氣。 可能存在低氧狀況。

**▲ 警告 ▲** 入る前にコンテナに通気したかどうか確認して下さい。低酸素状態になるかもしれません。

14

**R-404A**  
COMPRESSOR FILLED WITH ESTER OIL  
PART No: 203-433

4

DOOR POSITION

CLOSED

1

2

3

4

5

6

#	CMH	CFM
1	35	21
2	75	45
3	125	75
4	150	90
5	225	135
6	280	165

17





REF	PART#	DESCRIPTION	QTY
1	91-8475	NAMEPLATE - TK (crest)	1
2	92-4305	NAMEPLATE - IR logo (red/black)	1
3	91-9778	NAMEPLATE - Thermo King	1
4	91-8154	NAMEPLATE - R404A	1
5	91-8694	NAMEPLATE - Warning, Fan Start	1
6	91-8695	NAMEPLATE - Warning, Hot Components	1
7	91-5635	NAMEPLATE - Temperature Conversion	1
8	91-9382	NAMEPLATE - Warning	1
9	92-243	NAMEPLATE - USDA Connections	1
10	92-1218	NAMEPLATE - Weld	1
11	91-8697	NAMEPLATE - Data A3	1
12	91-8696	NAMEPLATE - Scrubber A5	1
13	91-9596	NAMEPLATE - Warning, Scroll Compressor	1
14	92-2585	NAMEPLATE - Warning, Low Oxygen	1
15	92-440	NAMEPLATE - Air Vent Handle	1
16	91-9831	NAMEPLATE - Air Vent Door	1
17	92-2586	NAMEPLATE - AFAM Door Position	1

## INDEX NUMERICAL BY PART NUMBER

102-795	<b>14, 18, 24, 28, 34</b>	40-779	<b>28</b>	41-4018	<b>8</b>
104-697	<b>6, 34</b>	40-782	<b>34</b>	41-4142	<b>44</b>
104-758	<b>8, 12, 34</b>	40-786	<b>28</b>	41-4382	<b>56</b>
11-4367	<b>10</b>	40-791	<b>34</b>	41-4473	<b>16, 20, 26, 34</b>
11-4929	<b>86</b>	41-1441	<b>88</b>	41-4527	<b>40</b>
11-8983	<b>92</b>	41-1976	<b>34</b>	41-4919	<b>44</b>
11-9575	<b>92</b>	41-1977	<b>48</b>	41-5103	<b>14, 34</b>
11-9576	<b>92, 94</b>	41-2216	<b>54</b>	41-5104	<b>42</b>
11-9734	<b>94</b>	41-2218	<b>54</b>	41-5105	<b>40</b>
11-9735	<b>92, 94</b>	41-2405	<b>64</b>	41-5309	<b>42, 60</b>
203-180	<b>52, 54, 56</b>	41-2406	<b>38, 46, 64, 66</b>	41-5405	<b>62, 90</b>
203-219	<b>52, 56</b>	41-2554	<b>90</b>	41-5416	<b>66</b>
203-252	<b>52, 56</b>	41-2555	<b>90</b>	41-5460	<b>20, 24</b>
203-385	<b>30</b>	41-2583	<b>38</b>	41-5635	<b>36</b>
203-389	<b>90</b>	41-2832	<b>38, 86</b>	41-5666	<b>82</b>
203-393	<b>28, 30, 86</b>	41-2835	<b>44</b>	41-5814	<b>10</b>
203-454	<b>18</b>	41-2838	<b>34</b>	41-6150	<b>22, 26, 36</b>
203-506	<b>44</b>	41-2853	<b>62</b>	41-6151	<b>22, 26, 36</b>
203-509	<b>38</b>	41-2953	<b>6, 34</b>	41-7238	<b>88</b>
203-516	<b>28</b>	41-3083	<b>48</b>	41-7587	<b>38</b>
203-546	<b>58</b>	41-3107	<b>64, 66</b>	41-8065	<b>46</b>
204-1109	<b>46</b>	41-3301	<b>14, 34</b>	44-2339	<b>54</b>
204-918	<b>46</b>	41-3317	<b>42</b>	44-2966	<b>54</b>
204-974	<b>46</b>	41-3335	<b>40, 44</b>	44-3828	<b>48</b>
204-975	<b>46</b>	41-3336	<b>62</b>	44-4051	<b>34</b>
304-2772	<b>64</b>	41-3401	<b>34</b>	44-5133	<b>48</b>
309-3066	<b>40</b>	41-3402	<b>38, 64, 66</b>	44-5644	<b>54</b>
33-2482	<b>48</b>	41-3409	<b>10</b>	44-6381	<b>40</b>
33-2805	<b>28</b>	41-3429	<b>48</b>	44-6777	<b>44</b>
33-2944	<b>80, 82</b>	41-3430	<b>38</b>	44-7782	<b>56</b>
33-2946	<b>8, 12</b>	41-3583	<b>86, 88</b>	44-9359	<b>40</b>
33-2950	<b>6</b>	41-3584	<b>86, 88</b>	44-9417	<b>46</b>
33-2951	<b>28</b>	41-3585	<b>62, 64</b>	44-9418	<b>46</b>
33-2962	<b>54</b>	41-3586	<b>62</b>	44-9780	<b>56</b>
33-2967	<b>84</b>	41-3587	<b>62, 66</b>	44-9781	<b>56</b>
33-2979	<b>28</b>	41-3588	<b>46, 62, 64, 66</b>	44-9891	<b>34</b>
33-2983	<b>70, 74, 76</b>	41-3593	<b>34</b>	45-1830	<b>50, 54</b>
33-3007	<b>14, 18, 30</b>	41-3595	<b>38</b>	45-1831	<b>50, 56</b>
33-3008	<b>50</b>	41-3596	<b>38</b>	45-1832	<b>50, 56</b>
33-3043	<b>68, 76, 94</b>	41-3597	<b>38</b>	45-1859	<b>48</b>
33-3044	<b>8</b>	41-3598	<b>38</b>	45-1927	<b>34</b>
33-314	<b>86</b>	41-3599	<b>38</b>	45-1992	<b>34</b>
33-3212	<b>32</b>	41-3601	<b>44</b>	45-2009	<b>44</b>
33-3214	<b>84</b>	41-3602	<b>44</b>	45-2010	<b>38</b>
33-3215	<b>8, 12, 40</b>	41-3603	<b>44</b>	45-2012	<b>58</b>
33-3264	<b>86, 88</b>	41-3604	<b>42</b>	45-237	<b>34</b>
33-3265	<b>86, 88</b>	41-3605	<b>42</b>	504-970	<b>38</b>
33-367	<b>6, 8, 12, 58</b>	41-3606	<b>60</b>	505-390	<b>56</b>
33-3837	<b>40</b>	41-3607	<b>60</b>	506-364	<b>14, 18, 30</b>
33-3838	<b>10, 12, 40</b>	41-3608	<b>38</b>	509-1654	<b>68, 72</b>
33-3912	<b>18, 24</b>	41-3674	<b>86</b>	509-753	<b>82</b>
33-3968	<b>74</b>	41-3685	<b>8, 34</b>	509-755	<b>72</b>
33-3969	<b>70, 76</b>	41-3686	<b>38</b>	509-937	<b>68, 74</b>
33-4255	<b>80, 82</b>	41-3687	<b>40</b>	51-1211	<b>82</b>
33-451	<b>50</b>	41-3688	<b>40</b>	51-1418	<b>44</b>
33-566	<b>16, 20, 26</b>	41-3703	<b>40</b>	51-1419	<b>44</b>
33-727	<b>28</b>	41-3851	<b>38</b>	51-1420	<b>44</b>
33-768	<b>32</b>	41-4002	<b>12, 34</b>	51-1421	<b>42</b>
40-776	<b>28, 36</b>	41-4004	<b>28, 34</b>	51-1422	<b>88</b>

## INDEX NUMERICAL BY PART NUMBER

51-1423	<b>38, 42</b>	55-2988	<b>40, 50, 58</b>	55-8382	<b>32</b>
51-1424	<b>38</b>	55-2995	<b>48</b>	55-8464	<b>18</b>
51-1425	<b>24, 42, 68, 76</b>	55-302	<b>14</b>	55-8559	<b>8, 70</b>
51-1426	<b>80</b>	55-3065	<b>74</b>	55-8720	<b>50</b>
51-1427	<b>6, 80, 82</b>	55-3101	<b>68</b>	55-8805	<b>12</b>
51-1428	<b>80</b>	55-3136	<b>90</b>	55-8872	<b>12</b>
51-1429	<b>6, 8, 28, 30, 80, 82</b>	55-3251	<b>14, 18, 24</b>	55-8877	<b>8, 72, 82, 84</b>
51-1430	<b>30, 76, 80, 82</b>	55-3272	<b>38, 62, 64</b>	55-8886	<b>84</b>
51-1431	<b>80, 82</b>	55-3364	<b>28</b>	55-8888	<b>84</b>
51-1432	<b>28</b>	55-3537	<b>86</b>	55-8891	<b>8, 12, 48, 90, 92</b>
51-1433	<b>28</b>	55-4390	<b>14, 18, 24</b>	55-8893	<b>86</b>
51-1434	<b>28</b>	55-5257	<b>38</b>	55-8903	<b>12</b>
51-1435	<b>28</b>	55-5900	<b>6, 8, 38</b>	55-8904	<b>12, 72</b>
51-1436	<b>28</b>	55-5919	<b>48</b>	55-8907	<b>12</b>
51-1437	<b>28</b>	55-6388	<b>16, 20, 24</b>	55-8908	<b>12</b>
51-1438	<b>28</b>	55-6695	<b>72</b>	55-8915	<b>16, 20</b>
51-1439	<b>24</b>	55-6730	<b>18, 30</b>	55-8919	<b>44</b>
51-1440	<b>24</b>	55-6988	<b>12, 16, 50, 58, 70, 72, 74</b>	55-8933	<b>72, 80</b>
51-1441	<b>24, 34</b>	55-6993	<b>12, 16, 72, 74</b>	55-8950	<b>14, 20, 24</b>
51-1442	<b>6, 26, 68, 76</b>	55-6994	<b>14, 40, 72, 82, 88</b>	55-8951	<b>14, 20, 24</b>
51-1443	<b>6, 8, 76</b>	55-6995	<b>40, 48, 50, 72</b>	55-8953	<b>50, 58, 72</b>
51-1444	<b>6, 8, 76</b>	55-6996	<b>50</b>	55-8955	<b>54</b>
51-1445	<b>34, 68, 76, 88</b>	55-7027	<b>16, 86</b>	55-8986	<b>12</b>
51-1446	<b>34</b>	55-7029	<b>16</b>	55-8993	<b>16</b>
51-1447	<b>34</b>	55-7033	<b>40, 50, 52, 58, 86</b>	55-8994	<b>28</b>
51-1448	<b>66, 70, 78</b>	55-7034	<b>40, 50, 58</b>	55-8995	<b>28</b>
51-1458	<b>82</b>	55-7035	<b>8, 14, 30, 72</b>	55-9002	<b>58</b>
51-1459	<b>68, 76</b>	55-7036	<b>58</b>	55-9012	<b>28</b>
51-1460	<b>68, 70, 76</b>	55-7042	<b>14, 18, 20, 38, 40, 48, 86</b>	55-9013	<b>28</b>
51-1462	<b>30</b>	55-7066	<b>8, 12</b>	55-9027	<b>16, 18</b>
51-1464	<b>26, 42, 68, 76, 88</b>	55-7075	<b>8, 12, 14, 16, 18, 20, 48, 58, 80, 82, 84</b>	55-9054	<b>6, 14, 18, 26, 34, 40, 58, 68, 72, 76, 80, 88</b>
51-1467	<b>30, 70, 76</b>			55-9086	<b>32</b>
51-1470	<b>44</b>	55-7085	<b>8, 48, 70, 74, 84</b>	55-9162	<b>8</b>
51-1474	<b>80</b>	55-7089	<b>74</b>	55-9164	<b>48</b>
51-1496	<b>88</b>	55-7169	<b>40, 50, 52</b>	55-9166	<b>38, 42, 74</b>
51-167	<b>14, 18, 30, 40, 68, 80, 82, 86, 88</b>	55-7170	<b>48, 58</b>	55-9168	<b>72, 80, 82, 84</b>
		55-7172	<b>8, 12, 38, 48, 50, 58, 80, 82, 84, 86</b>	55-9173	<b>74</b>
51-270	<b>12, 36</b>			55-9208	<b>92</b>
51-273	<b>18</b>	55-7339	<b>8, 12, 68, 72, 76, 80, 82</b>	55-9211	<b>62</b>
51-336	<b>34, 38, 90</b>	55-7340	<b>50, 58</b>	55-9217	<b>8, 12</b>
51-358	<b>28</b>	55-7341	<b>48, 50, 58, 68, 72, 76</b>	55-9312	<b>72</b>
51-618	<b>38</b>	55-7342	<b>8, 12, 48, 84</b>	55-9313	<b>72</b>
51-619	<b>40, 42, 68, 80, 86, 88</b>	55-7344	<b>48</b>	55-9322	<b>60, 62, 64, 66</b>
51-620	<b>72</b>	55-7347	<b>18</b>	55-9323	<b>60, 66, 90</b>
51-621	<b>90</b>	55-7349	<b>84</b>	55-9338	<b>86</b>
51-801	<b>68</b>	55-7354	<b>50, 58, 68, 72</b>	55-9346	<b>38</b>
55-1827	<b>30</b>	55-7357	<b>48</b>	55-9380	<b>72</b>
55-2001	<b>48</b>	55-7367	<b>86</b>	55-9392	<b>44</b>
55-2074	<b>38</b>	55-7370	<b>42</b>	55-9393	<b>44</b>
55-2260	<b>92</b>	55-7372	<b>18, 20</b>	55-9395	<b>44</b>
55-2262	<b>90</b>	55-7391	<b>74</b>	55-9396	<b>42</b>
55-2296	<b>16, 22, 24</b>	55-7404	<b>50, 52, 58, 86</b>	55-9402	<b>64</b>
55-2324	<b>12</b>	55-7464	<b>50</b>	55-9437	<b>86</b>
55-2330	<b>92, 94</b>	55-7713	<b>90</b>	55-9442	<b>82</b>
55-2550	<b>88</b>	55-7825	<b>84</b>	55-9444	<b>38, 44, 50, 58, 90</b>
55-2636	<b>48</b>	55-7830	<b>32</b>	55-9541	<b>16, 70, 72, 74, 76, 80, 82</b>
55-2686	<b>92</b>	55-7862	<b>86</b>	55-9759	<b>20, 38</b>
55-2864	<b>72</b>	55-7864	<b>32</b>	55-9912	<b>18</b>
55-2964	<b>48</b>	55-8316	<b>14, 18, 20</b>		

## INDEX NUMERICAL BY PART NUMBER

60-285	<b>6, 14, 18, 24</b>	66-7543	<b>24, 30</b>	91-8154	<b>96</b>
61-1305	<b>24, 30</b>	66-7812	<b>14, 18, 28</b>	91-8195	<b>68, 72</b>
61-154	<b>32</b>	66-8054	<b>16, 20, 26, 28</b>	91-8199	<b>68, 72</b>
61-175	<b>14</b>	66-874	<b>16, 20</b>	91-8217	<b>54</b>
61-1839	<b>16</b>	66-8811	<b>14, 18, 30</b>	91-8244	<b>92</b>
61-1840	<b>16</b>	66-9181	<b>14</b>	91-8252	<b>80</b>
61-1843	<b>14</b>	66-9194	<b>32</b>	91-8256	<b>68, 72</b>
61-1844	<b>14</b>	66-9447	<b>24, 30</b>	91-8466	<b>8, 12</b>
61-1845	<b>14</b>	66-9906	<b>14, 20, 24</b>	91-8467	<b>34</b>
61-1846	<b>14</b>	67-1575	<b>24, 30</b>	91-8474	<b>68, 72, 76</b>
61-1847	<b>14, 20, 24</b>	67-1889	<b>14, 18, 24</b>	91-8475	<b>70, 76, 96</b>
61-1848	<b>14, 18</b>	67-1890	<b>14</b>	91-8629	<b>34</b>
61-1849	<b>14</b>	67-1921	<b>16, 22, 26</b>	91-8634	<b>34</b>
61-1850	<b>16</b>	67-1922	<b>12, 16, 22, 26</b>	91-8663	<b>80, 82</b>
61-1852	<b>14</b>	67-1923	<b>16, 22, 24</b>	91-8694	<b>96</b>
61-1853	<b>14</b>	67-1991	<b>18</b>	91-8695	<b>96</b>
61-2048	<b>16, 20, 24</b>	77-1401	<b>6, 8, 12, 34</b>	91-8696	<b>96</b>
61-2049	<b>16, 20, 24</b>	77-1498	<b>6, 8, 12, 34</b>	91-8697	<b>96</b>
61-2050	<b>16, 20, 24</b>	77-2467	<b>80</b>	91-8705	<b>50, 58</b>
61-2051	<b>16, 22, 24</b>	77-2870	<b>88</b>	91-8707	<b>50, 58</b>
61-2052	<b>16</b>	78-1117	<b>8</b>	91-8708	<b>50, 58</b>
61-2053	<b>16</b>	78-1167	<b>6</b>	91-8709	<b>50, 58</b>
61-2054	<b>16</b>	78-1196	<b>12</b>	91-8725	<b>50, 58</b>
61-2057	<b>16, 20, 26, 36</b>	78-1349	<b>8</b>	91-8726	<b>52, 58</b>
61-2058	<b>16</b>	78-1524	<b>8</b>	91-8728	<b>70, 74, 76</b>
61-2117	<b>16</b>	845-1898	<b>44</b>	91-9021	<b>28</b>
61-2118	<b>28</b>	845-2009	<b>44</b>	91-9039	<b>68, 74</b>
61-2119	<b>28</b>	845-2010	<b>38</b>	91-9040	<b>68, 72</b>
61-2162	<b>16, 18, 24</b>	91-1779	<b>16</b>	91-9041	<b>68, 72</b>
61-2238	<b>18</b>	91-1800	<b>20</b>	91-9048	<b>80, 82</b>
61-2271	<b>70, 78</b>	91-2205	<b>54</b>	91-9272	<b>38</b>
61-2464	<b>20, 26</b>	91-2209	<b>54</b>	91-9328	<b>8, 12</b>
61-2465	<b>20, 26</b>	91-3238	<b>48</b>	91-9330	<b>90</b>
61-2466	<b>20, 26</b>	91-4218	<b>50</b>	91-9331	<b>90</b>
61-2467	<b>18, 24</b>	91-4219	<b>50</b>	91-9380	<b>44</b>
61-2468	<b>20</b>	91-4220	<b>52</b>	91-9381	<b>44</b>
61-2469	<b>20, 24</b>	91-4380	<b>56</b>	91-9382	<b>44, 96</b>
61-2470	<b>20, 24</b>	91-4774	<b>16</b>	91-9508	<b>48</b>
61-2471	<b>18, 24</b>	91-5005	<b>50, 58</b>	91-9511	<b>74</b>
61-2472	<b>18, 24</b>	91-5006	<b>50, 58</b>	91-9596	<b>96</b>
61-2473	<b>18</b>	91-5007	<b>50, 58</b>	91-9754	<b>70, 74, 78</b>
61-2474	<b>20, 24</b>	91-5635	<b>96</b>	91-9778	<b>96</b>
61-2475	<b>18</b>	91-6560	<b>72</b>	91-9831	<b>96</b>
61-2476	<b>20</b>	91-6627	<b>30</b>	91-9833	<b>38</b>
61-2477	<b>18, 24</b>	91-6628	<b>30</b>	91-9834	<b>62, 64</b>
61-2569	<b>18</b>	91-6988	<b>48</b>	91-9914	<b>42</b>
61-3502	<b>20, 26</b>	91-758	<b>18</b>	91-9915	<b>42</b>
61-3503	<b>24</b>	91-759	<b>16, 30</b>	91-9922	<b>90</b>
61-3504	<b>24, 30</b>	91-8100	<b>80, 82</b>	91-9923	<b>90</b>
61-3508	<b>26</b>	91-8102	<b>80, 82</b>	91-9924	<b>90</b>
61-3525	<b>24, 30</b>	91-8103	<b>80, 82, 84</b>	91-9949	<b>70, 78</b>
61-3542	<b>24, 30</b>	91-8104	<b>80, 82</b>	91-9950	<b>70, 78</b>
61-443	<b>16, 20, 24</b>	91-8105	<b>80</b>	91-9951	<b>70, 78</b>
61-786	<b>14, 18, 24</b>	91-8106	<b>80, 82, 86, 88</b>	92-1218	<b>96</b>
66-4788	<b>30</b>	91-8107	<b>80</b>	92-206	<b>60, 62</b>
66-6607	<b>16, 20, 28</b>	91-8108	<b>68, 72, 76</b>	92-219	<b>32</b>
66-6610	<b>28, 30</b>	91-8134	<b>68, 72</b>	92-2228	<b>20, 24</b>
66-7182	<b>14, 18, 28, 30</b>	91-8140	<b>34</b>	92-2229	<b>18</b>
66-7183	<b>16, 20, 28</b>	91-8142	<b>34</b>	92-2332	<b>8</b>

## INDEX NUMERICAL BY PART NUMBER

92-234	<b>34</b>	92-5687	<b>88</b>
92-235	<b>34</b>	92-722	<b>90</b>
92-236	<b>38</b>	92-860	<b>38</b>
92-237	<b>38</b>	92-891	<b>70, 72, 76</b>
92-238	<b>38</b>	98-5454	<b>40</b>
92-239	<b>38</b>	98-5772	<b>90</b>
92-240	<b>84</b>	98-5773	<b>90</b>
92-241	<b>84</b>	98-5774	<b>90</b>
92-242	<b>84</b>	98-5775	<b>90</b>
92-243	<b>64, 66, 96</b>	98-5923	<b>90</b>
92-2585	<b>96</b>	98-5925	<b>68, 72, 76, 94</b>
92-2586	<b>96</b>	98-6236	<b>68, 76</b>
92-2587	<b>10</b>	98-6518	<b>68</b>
92-2588	<b>14</b>	98-6556	<b>90</b>
92-2589	<b>14</b>	98-6560	<b>68, 76</b>
92-2773	<b>90</b>	98-6562	<b>8</b>
92-2774	<b>90</b>	98-6563	<b>74</b>
92-2775	<b>8</b>	98-6564	<b>12</b>
92-2777	<b>34</b>	98-6565	<b>90</b>
92-2778	<b>12</b>	98-6566	<b>8</b>
92-2779	<b>8</b>	98-6771	<b>70, 76</b>
92-2790	<b>12</b>	98-6784	<b>44</b>
92-2791	<b>12</b>	98-7209	<b>50, 58</b>
92-2995	<b>72</b>	98-7410	<b>70, 76</b>
92-3391	<b>20, 26</b>	98-7418	<b>70, 76</b>
92-3445	<b>42</b>	98-7424	<b>70, 76</b>
92-3446	<b>44</b>	98-7430	<b>68</b>
92-3547	<b>18</b>	98-7446	<b>70, 76</b>
92-3548	<b>20</b>	98-7691	<b>76</b>
92-3549	<b>20</b>	99-3281	<b>92</b>
92-3550	<b>20</b>	99-3685	<b>38, 46, 64, 66</b>
92-3551	<b>20</b>	99-4931	<b>8</b>
92-3552	<b>20</b>	99-7230	<b>50, 58</b>
92-3553	<b>20</b>	99-7849	<b>58</b>
92-3554	<b>44</b>		
92-411	<b>80, 82, 86</b>		
92-412	<b>86</b>		
92-413	<b>86</b>		
92-414	<b>86</b>		
92-415	<b>86, 88</b>		
92-416	<b>86, 88</b>		
92-417	<b>86</b>		
92-418	<b>86</b>		
92-419	<b>86</b>		
92-420	<b>86</b>		
92-425	<b>8</b>		
92-427	<b>90</b>		
92-428	<b>64, 66</b>		
92-4305	<b>96</b>		
92-440	<b>80, 82, 96</b>		
92-456	<b>8</b>		
92-458	<b>8</b>		
92-5201	<b>88</b>		
92-5520	<b>40</b>		
92-5521	<b>86</b>		
92-5547	<b>58</b>		
92-5660	<b>34</b>		
92-5685	<b>88</b>		
92-5686	<b>88</b>		

## INDEX ALPHABETICAL BY DESCRIPTION

### A

ACTUATOR **88**  
 ADAPTER **16, 20, 26**  
 ADAPTER - 9-pin D PC connector to PC card **46**  
 ADAPTER - 9-pin D PC connector to USB **46**  
 ADAPTER - compressor **16, 18, 24**  
 ADAPTER - high side **28**  
 ADAPTER - hose **80, 82**  
 ADAPTER - push-on **44**  
 ARM - pen lift **56**

### B

BALL JOINT **86**  
 BANDWRAP **92, 94**  
 BARB - hose adapter **84**  
 BATTERY **38**  
 BATTERY - lithium **44**  
 BEARING **88**  
 BEARING - opposite end **6, 8, 12, 34**  
 BEARING - shaft end **6, 8, 12, 34**  
 BEARING - slide **80, 84**  
 BLOCK - coil **8, 12**  
 BLOCK - terminal **38, 40**  
 BOARD - interface **86, 88**  
 BOARD - relay **38**  
 BOOT - switch **38**  
 BOX - control **34, 40**  
 BOX - recorder **50, 58**  
 BRACKET **38**  
 BRACKET - air vent **88**  
 BRACKET - air vent handle **80, 82**  
 BRACKET - battery **40**  
 BRACKET - cable **48**  
 BRACKET - cable restraint **48**  
 BRACKET - diagram **38**  
 BRACKET - exchanger **14**  
 BRACKET - frame **68, 72, 76**  
 BRACKET - grille **88**  
 BRACKET - handle **80, 82**  
 BRACKET - heat exchanger **20, 26**  
 BRACKET - heater **34**  
 BRACKET - hose **92**  
 BRACKET - latch **50, 58**  
 BRACKET - mechanical stop **86**  
 BRACKET - motor **8, 12**  
 BRACKET - motor box **86**  
 BRACKET - motor mount **12**  
 BRACKET - power cable **34**  
 BRACKET - rear **88**  
 BRACKET - receptacle **86**  
 BRACKET - safety hook **70, 72, 76**  
 BRACKET - sensor **8**  
 BREAKER - circuit **42**  
 BUSHING - plug **48**

### C

CABLE - AFAM/AFAM+ **86, 88**

CABLE - battery **40**  
 CABLE - compressor **34**  
 CABLE - connecting **44**  
 CABLE - data **46**  
 CABLE - data download **46**  
 CABLE - power **34, 48**  
 CABLE - retriever plug **38**  
 CABLE - Transfresh **90**  
 CABLE & PLUG - retriever **64, 66**  
 CABLE & PLUG - retriever **62**  
 CAP - charge port **16, 20**  
 CAP - dust **46, 64, 66**  
 CAP - dust cover **30**  
 CAP - fitting **14, 18, 28, 30**  
 CAP - plug **38, 60, 62**  
 CAP - receptacle **62**  
 CAP - screw **8, 12**  
 CHAIN - cap **38, 46, 64, 66**  
 CHANNEL - air **90**  
 CHANNEL - fresh air **90**  
 CHANNEL - Z **90**  
 CHART **52, 54, 56**  
 CHART - thermometer **58**  
 CLAMP - dehydrator **18, 24**  
 CLAMP - hook **74**  
 CLAMP - hose **92**  
 CLAMP - strap **16**  
 CLAMP - suction tube **16**  
 CLAMP - tube **16, 18, 20, 30**  
 CLAMP - valve **20, 24**  
 CLIP - relay **38**  
 COIL - condenser **6, 14, 18, 24**  
 COIL - evaporator **8, 12, 16, 22, 24, 26**  
 COIL - valve **14, 20, 24, 34**  
 COMPRESSOR - scroll **14, 18, 24, 28, 34**  
 CONNECTOR **40, 44, 62**  
 CONNECTOR - cross **40**  
 CONNECTOR - grip **12, 48**  
 CONNECTOR - harness **12**  
 CONNECTOR - harness & sensor **8**  
 CONNECTOR - liquid tite **36, 38**  
 CONNECTOR - plug **38, 64, 66, 86**  
 CONNECTOR - T **92**  
 CONTACTOR **42**  
 CONTACTOR - auxiliary **42, 60**  
 CONTROLLER **44**  
 COUPLING - outlet **30**  
 COVER **70, 74, 76**  
 COVER - exchanger **14**  
 COVER - recorder **50, 58**  
 COVER - terminal box **28**  
 COVER - tube **8, 12**

### D

DEHYDRATOR **14, 18, 24**  
 DEVICE - door position sensor **82**  
 DISK - air vent **80, 82, 84**  
 DISPLAY - controller **44**

DOOR - AFAM **88**  
 DOOR - control box **44**  
 DOOR - controller **38**  
 DOOR - evaporator **68, 72, 76**  
 DRIVE - chart **54**

### E

ELBOW - low side **28**  
 ELEMENT **56**  
 ELEMENT - thermo **54**

### F

FAN - condenser **6**  
 FAN - evaporator **8, 12**  
 FILTER - gas sensor **8**  
 FITTING - flare **16, 20**  
 FITTING - harness **38**  
 FITTING - high side **14, 30**  
 FITTING - highside **28**  
 FITTING - low side **16, 20, 28**  
 FLATWASHER **6, 8, 12, 14, 16, 18, 20, 24, 26, 28, 30, 32, 34, 38, 40, 42, 48, 50, 52, 58, 68, 70, 72, 74, 76, 80, 82, 84, 86, 88**  
 FRAME - condenser **70, 74, 76**  
 FUSE **38, 40, 44**

### G

GASKET **6, 84, 88**  
 GASKET - air vent **80, 82, 84, 86, 88**  
 GASKET - controller **44**  
 GASKET - cover **40, 50, 58**  
 GASKET - evaporator door **70, 74, 76**  
 GASKET - flange **28**  
 GASKET - gauge **32**  
 GASKET - grille **94**  
 GASKET - power connector **28**  
 GASKET - receptacle **86**  
 GASKET - round **32**  
 GASKET - rubber extrusion **68, 76**  
 GASKET - unit **70, 74, 76**  
 GAUGE - suction pressure **32**  
 GRILLE - condenser **68, 72, 76, 94**  
 GRILLE - evaporator **90**  
 GRILLE - fresh air **86, 88**  
 GRIP - cable **6**  
 GROMMET **6, 8, 10, 12, 40, 50, 58, 86**  
 GUIDE - latch **50, 58**

### H

HANDLE - air vent **80, 82**  
 HANGER - dehydrator **14**  
 HARNESS - condenser fan **6, 34**  
 HARNESS - control box **34**  
 HARNESS - evaporator **34**  
 HARNESS - evaporator fan **8, 12**  
 HARNESS - remote monitor **60**  
 HARNESS - sensor **34**

## INDEX ALPHABETICAL BY DESCRIPTION

HEAT EXCHANGER - economizer **14, 18, 24**

HEATER **34**

HINGE **72**

HINGE - air vent **80, 82**

HINGE - cover **38**

HINGE - door **44**

HINGE - evap door **72**

HINGE - frame **68**

HINGE - left **50, 52, 58**

HINGE - plate **86**

HINGE - right **50, 58**

HINGE SET - left **50**

HINGE SET - right **52**

HOLDER - fuse **38**

HOOK - strap **68, 74**

HOSE - drain **94**

HOSE - flex **92**

HOSE - sensor **10**

HOUSING - evaporator **8**

HOUSING - motor **86**

HOUSING - relief valve **70, 78**

### I

INDICATOR **30**

INDICATOR - liquid **14, 18**

INDICATOR - volt **56**

INLET - fresh air **90**

INSERT - threaded **12**

INSULATION - heat exchanger **18**

INSULATION - mylar **20**

INSULATION - tube **20**

INSULATOR **38, 48**

INSULATOR - hinge **44**

INSULATOR - latch **68, 72**

INTERLOCK **42**

### K

KEEPER - door latch **68, 72**

KEY - fan **12**

KEY - winding **54**

KEYPAD **44**

KIT - gasket & grease **28**

KIT - power cord **28**

KIT - sensor **34**

KIT - stylus **54**

KIT - thermistor **28, 36**

KNOB **68, 72**

### L

LABEL - AFAM door position **88**

LABEL - air ventilation **84**

LATCH - cover **50, 58**

LATCH - door **68, 72**

LINKAGE **86**

LOCKWASHER **6, 8, 12, 18, 28, 30, 34, 38, 42, 44, 48, 50, 52, 58, 80, 82, 84, 86**

### M

MASTIC - heat transfer **18**

MECHANISM **54**

MODEM **44**

MOTOR - condenser fan **6, 34**

MOTOR - damper **86**

MOTOR - evaporator fan **34**

MOTOR - fan **8, 12**

MOUNT - cable tie **92**

### N

NAMEPLATE - AFAM Door Position **96**

NAMEPLATE - Air Vent Door **96**

NAMEPLATE - Air Vent Handle **96**

NAMEPLATE - Arrow **8**

NAMEPLATE - Caution **38**

NAMEPLATE - Data A3 **96**

NAMEPLATE - data download **66**

NAMEPLATE - data download USDA **64**

NAMEPLATE - Do Not Open Below 0 C **80, 82**

NAMEPLATE - IR logo **96**

NAMEPLATE - On/Off **38**

NAMEPLATE - Phase Select **44**

NAMEPLATE - R404A **96**

NAMEPLATE - Scrubber A5 **96**

NAMEPLATE - Temperature Conversion **96**

NAMEPLATE - Thermo King **96**

NAMEPLATE - TK **70, 74, 76, 96**

NAMEPLATE - USDA Connections **96**

NAMEPLATE - Warning **96**

NAMEPLATE - Warning, Fan Start **96**

NAMEPLATE - Warning, Hot

Components **96**

NAMEPLATE - Warning, Low Oxygen **96**

NAMEPLATE - Warning, Power Off **44**

NAMEPLATE - Warning, Scroll

Compressor **96**

NAMEPLATE - Weld **96**

NUT **6, 8, 12, 14, 18, 20, 24, 28, 32, 38, 40, 42, 44, 48, 50, 58, 68, 72, 76, 80, 82, 84, 86**

NUT - chart **56**

NUT - connector **48**

NUT - controller **44**

NUT - filter **14**

NUT - o-ring seal **14, 20, 24**

NUT - receiver tank **18**

NUT - speed **38**

NUT - wing **80, 82, 84**

NUTSTRIP **8**

NUTSTRIP - bracket **10**

NUT, CLIP & CORD **54**

### O

OIL - compressor **28**

O-RING **14, 16, 18, 20, 26, 30, 54**

O-RING - suction **28**

### P

PANEL - USDA receptacle **36, 62, 64, 66, 90**

PANEL - USDA, assembly **62**

PIN - clevis **88**

PIN - cotter **86, 88**

PIN - hinge **68, 72, 80, 82, 86, 88**

PLATE - air vent **80, 82, 84**

PLATE - bottom **42**

PLATE - box **50, 58**

PLATE - cable storage **68, 72, 76**

PLATE - cover **90**

PLATE - end terminal **40**

PLATE - guard **32, 68, 72, 76**

PLATE - keeper **50, 58**

PLATE - rear **90**

PLATE - recorder **56**

PLATEN **54**

PLUG **28**

PLUG - fusible **14, 18**

PLUG - fusible **30**

PLUG - outlet **30**

PLUG - power **34, 48**

PLUG - seal **38**

PLUG - spare hole **64**

POCKET - sensor **70, 74, 78**

PORT - injection **70, 78**

PROTECTOR - edge **80, 82**

### R

RAIL - din **42**

RAIL - terminal block **40**

RECEPTACLE **60, 62, 64, 66**

RECEPTACLE - power **48**

RELAY - power **38**

RETAINER - pin **86**

RETAINER - screw **44**

RIVET - bracket **38, 40**

RIVET - cap **60, 62, 64, 66**

RIVET - channel **90**

RIVET - connector **64, 66**

RIVET - grille **90**

RIVET - hinge **72**

RIVET - housing **8, 70, 78**

RIVET - inlet **90**

RIVET - latch **50, 58, 68, 72**

RIVET - mount **92**

RIVET - panel **62, 64, 66**

RIVET - plate **50, 58, 90**

RIVET - plug **38**

RIVET - port **70, 78**

RIVET - receptacle **60, 62**

ROD - linkage **86**

ROD - push **54**

## INDEX ALPHABETICAL BY DESCRIPTION

### S

SCREW **16, 42, 80, 84**  
 SCREW - air vent **84**  
 SCREW - battery **38**  
 SCREW - box **50, 58**  
 SCREW - bracket **8, 12, 26, 34, 38, 48, 50, 68, 70, 72, 74, 76, 86, 88, 92**  
 SCREW - cable **48**  
 SCREW - channel **90**  
 SCREW - clamp **16, 18, 20, 24, 30, 74**  
 SCREW - coil **6, 8, 12, 14**  
 SCREW - compressor **28**  
 SCREW - control box **40**  
 SCREW - cover **8, 12, 14, 70, 74, 76**  
 SCREW - dehydrator **18**  
 SCREW - dehydrator clamp **20**  
 SCREW - discharge valve **28**  
 SCREW - disk **82**  
 SCREW - door **44, 68, 72, 76**  
 SCREW - flange **28**  
 SCREW - gauge **32**  
 SCREW - grille **68, 72, 76, 86, 88**  
 SCREW - ground **28**  
 SCREW - guide **50, 58**  
 SCREW - handle **80, 82**  
 SCREW - hanger **14**  
 SCREW - hinge **38, 44, 52, 58, 70, 72**  
 SCREW - keeper **68, 72**  
 SCREW - linkage **86**  
 SCREW - motor **6, 8, 12**  
 SCREW - plate **50, 58, 68, 72, 76, 80, 82, 90**  
 SCREW - plate to box **42**  
 SCREW - rail **40**  
 SCREW - receptacle **48**  
 SCREW - recorder **50, 58**  
 SCREW - relay board **38**  
 SCREW - sensor **8**  
 SCREW - strap **68, 74**  
 SCREW - tank **30**  
 SCREW - thermostat **34**  
 SCREW - transformer **42, 48**  
 SCREW - vent **80**  
 SCREW - vent hinge **82**  
 SEAL - teflon fiber **18, 24**  
 SEALER - locking **30**  
 SEALER - polyurethane **90**  
 SEALER - removable **30**  
 SEALER - silicone grease pack **28**  
 SEALER - thread **28, 86**  
 SENSOR **64, 66**  
 SENSOR - gas **10**  
 SENSOR - humidity **36**  
 SENSOR - PT100 **62, 90**  
 SHOULDER **14, 20, 24**  
 SPACER **16, 20, 28**  
 SPACER - clamp **20, 24**  
 SPACER - compressor **18**

SPRING **68, 72, 80, 82**  
 SPRING - heater **34**  
 STRAP - door **68, 74**  
 SWITCH - hpc0 **28, 34**  
 SWITCH - lpc0 **16, 20, 26, 34**  
 SWITCH - On/Off **38**

### T

TANK - receiver **14, 18**  
 TANK - water cooled condenser **24, 30**  
 T-DRAIN **92**  
 TEE **14, 16, 18, 22, 24**  
 TEE - drain hose **94**  
 TERMINAL - pin **34**  
 TERMINAL - stop clip **40**  
 THERMOMETER **54**  
 THERMOMETER - recording **50, 56, 58**  
 THERMOSTAT - defrost termination **34**  
 TIMER **56**  
 TRANSDUCER - discharge **22, 26, 36**  
 TRANSDUCER - suction **22, 26, 36**  
 TRANSFORMER **42, 48**  
 TRAY - high voltage **40**  
 TRIM - edge guard **8**  
 TUBE **24**  
 TUBE - coil to dehydrator **26**  
 TUBE - coil to flange **16**  
 TUBE - coil to receiver tank **14**  
 TUBE - coil to valve **16**  
 TUBE - condenser to condenser **24, 30**  
 TUBE - condenser to filter **30**  
 TUBE - condenser to tee **24**  
 TUBE - dehydrator to tee **14**  
 TUBE - equalizer **16, 20, 24**  
 TUBE - exchanger to coil **20, 24**  
 TUBE - expansion valve to exchanger **20, 24**  
 TUBE - expansion valve to inlet **16**  
 TUBE - expansion valve to tee **14, 16, 20, 24**  
 TUBE - filter **14, 18, 24**  
 TUBE - filter to tee **18**  
 TUBE - flange to coil **14**  
 TUBE - gauge **32**  
 TUBE - heat exchanger to evaporator **20**  
 TUBE - liquid injection **14, 20, 24**  
 TUBE - receiver to condenser **18**  
 TUBE - receiver to dehydrator **18**  
 TUBE - stub **30**  
 TUBE - suction **20, 26**  
 TUBE - suction to ball valve **20, 26**  
 TUBE - suction to valve **16**  
 TUBE - tank to dehydrator **14**  
 TUBE - tee to distributor **16, 22, 24**  
 TUBE - tee to exchanger **14, 18, 24**  
 TUBE - tee to valve **14, 18, 24**

TUBE - tx bulb **20**  
 TUBE - valve to coil **14, 18, 24**  
 TUBE - valve to compressor **16, 24**  
 TUBE - valve to dehydrator **24, 30**  
 TUBE - valve to evaporator **16**  
 TUBE - valve to expansion **14, 20, 24**

### V

VALVE **20, 26**  
 VALVE - ball **20, 24, 26, 30**  
 VALVE - digital **16, 36**  
 VALVE - discharge **28**  
 VALVE - expansion **14, 16, 20, 24**  
 VALVE - pressure relief **70, 78**  
 VALVE - solenoid **14, 20, 24, 34**  
 VALVE - suction **28**  
 VALVE - vacuum **70, 78**  
 VENT - air **80, 86**

### W

WASHER **6, 8, 12, 14, 16, 44, 50, 68, 70, 72, 74, 76, 80, 82, 84, 86**  
 WASHER - ground **28**  
 WASHER - insulating **8, 18, 26, 32, 38, 44, 50, 58, 82, 90**  
 WASHER - insulation **68, 72, 76, 82**  
 WASHER - insulator **34, 40, 42, 80, 82, 86, 88**  
 WASHER - sealing **28**  
 WASHER - shoulder **86**  
 WASHER - vibration damper **28**  
 WINDOW **50, 58**



INDEX ALPHABETICAL BY DESCRIPTION