

PARTSLIST

パーツリスト

Marine Type Container
Refrigeration & Heating Unit

海上コンテナ冷凍装置

Model

LX10F10A or later

LX10F10A 以降

DAIKIN INDUSTRIES, LTD.

TR11-08A

Important information regarding the refrigerant used

This product contained greenhouse gases covered by Kyoto Protocol.

Do not vent gases into atmosphere.

Refrigerant type : R134a

GWP (1) value : 1430

(1) GWP=global warming potential

The refrigerant quantity is indicated on the unit name plate.

使用冷媒に関する重要情報

この製品は京都議定書によるフロン温室効果ガスが充填されています。
冷媒を大気へ放出しないようにしてください。

冷媒タイプ : R134a
GWP(1)値 : 1430

(1) GWP=地球温暖化係数

冷媒充填量はユニットの銘板に表示されています。

ORDERING INSTRUCTIONS

The parts list contains the standard parts of the Marine Type Container Refrigeration Units.

Please read the following items before using the list.

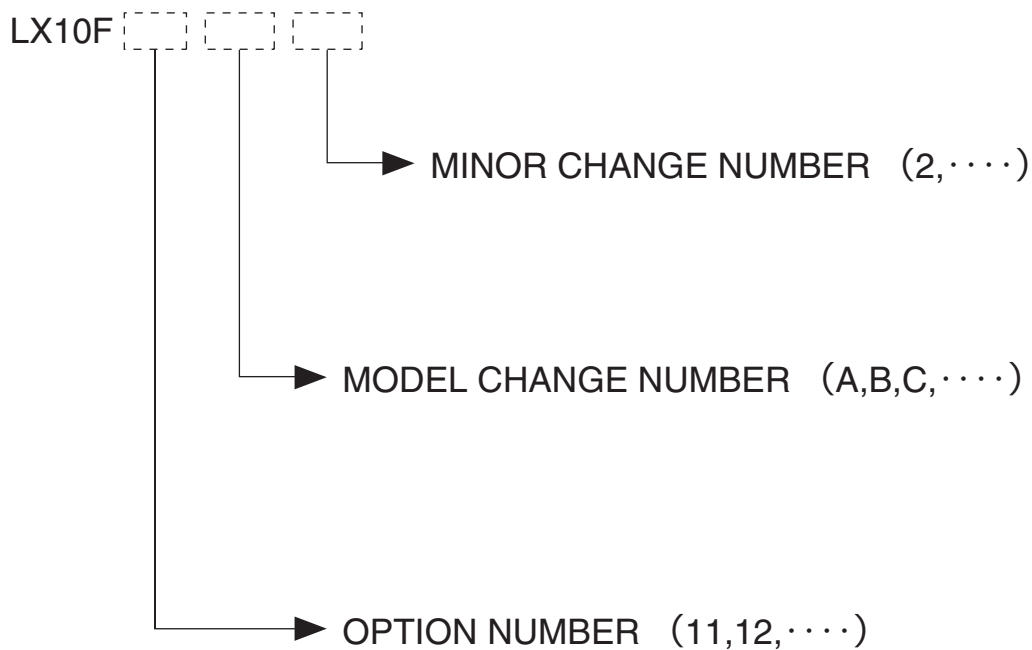
1. When ordering the parts, refer the Service manual・Parts list "Optional functions" for each model, and be sure to specify the model No., the name of part and the type of part. When ordering the parts for which no parts NO. is shown in the PARTS NO. column, be sure to describe DWG.NO..
2. The list shows the parts only for replacement or repairing at the job site. Certain parts require a production lead time or are supplied as a set, so please contact with the nearest PARTS CENTRE.
3. Index symbols;
Meaning of the ranking A,B and C are as follows;
A. The most important spare parts
 1. The parts whose malfunction cause fatal damage to the unit.
 2. The parts with high risk of malfunction.
 3. The parts that are worn out after an extended service period.B. The important spare parts next to A, but the risk of malfunction is not so high.
C. The parts with low risk of malfunction, but recommendable to stock to cope with damage during handling of container box and long delivery time, etc.
The parts without A, B and C mark is the parts whose necessity is not so high under normal operation.

パーツリスト使用上の注意

このパーツリストは海上コンテナ冷凍装置の標準部品を集録してあります。パーツリスト使用にあたっては、必ず次の注意事項をご一読の上使用していただくようお願いいたします。

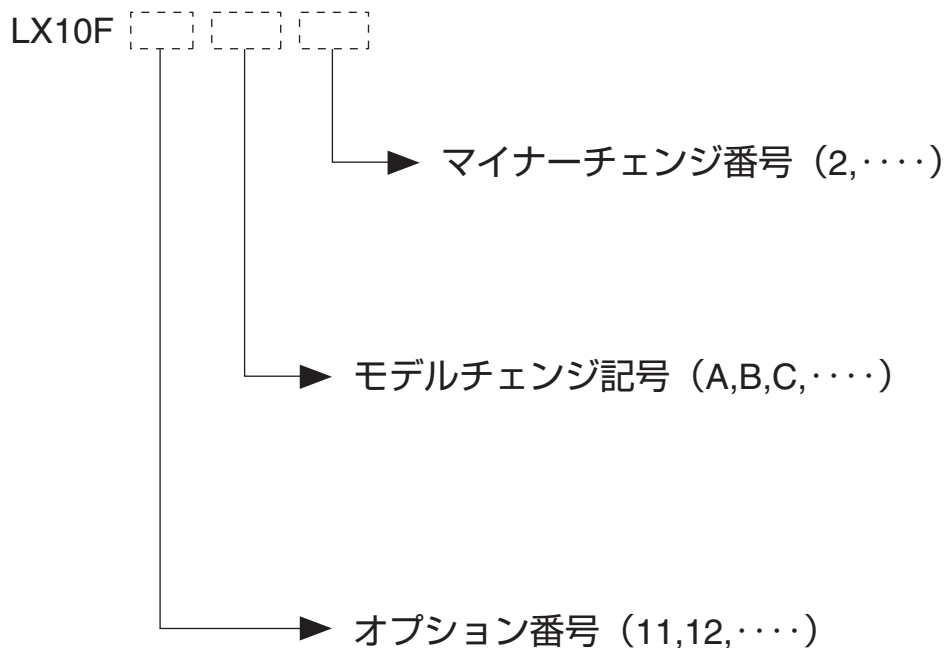
1. 部品のご注文の際は機種毎のサービスガイド・パーツリスト“オプション機能編”を参照の上、機種名、部品番号、および部品名、形式を必ずご指定ください。
なお、部品番号欄が空白になっている部品は、図面番号で指示願います。
2. 掲載部品の範囲は、あくまでも現地にて分解修理できるところまで記載しております。一部部品につき納期のかかるものおよびセット単位となるものもありますので、お近くのパーツセンター又はサービスステーションに相談願います。
3. INDEXの説明
INDEXのA、B、Cの意味は下記の通りです。
A. 最も重要な部品
 1. 故障した場合に最も重大な損害を与えると思われる部品
 2. 故障の確率が高いと思われる部品
 3. 長期の使用で摩耗して使用できなくなる部品B. 故障発生の確率は高くはないが、Aについて重要な部品
C. 故障発生の確率は低いが、コンテナボックスの運搬中の事故や、部品の納期が長期になるとと思われる等の理由で、在庫をお勧めする部品
A,B,Cマークの無い部品は、通常の運転では必要性は高くない部品です。

Denomination of Model Name



Note) "R" GIVEN AFTER OPTION NUMBER STANDS FOR "REVISION" AND IT IS GIVEN FOR THE UNIT WHICH IS SPECIALLY MODIFIED.

機種名について



注) オプション番号の後に R がつく機種は、改造機で、特別な仕様が加えられていることを意味します。

CONTENTS

目 次

Page

1. Standard Parts List

標準パーツリスト

A. Parts related with the unit(outside)4

庫外関連部品

B. Parts related with refrigerant piping(outside).....8

庫外冷媒配管関連部品

C. Parts related with the unit(inside)12

庫内関連部品

D. Parts related with refrigerant piping(inside).....16

庫内冷媒配管関連部品

E. Other parts(Pipe clamp, sealing and insulation material etc.)18

その他部品 (配管固定具、シール材、防熱材等)

F. Control box26

コントローラボックス

G. Parts related with name plate32

銘板関連

H. List of size for standard pipe clamp34

配管固定具サイズ表

1. Resin clamp 樹脂バンド

2. Tube clamp 管止金

I. Notes for ordering spare parts36

部品発注の際の注意事項

1. Parts recommended to be ordered together with packing, gasket, sealing material and name plate

発注の際にパッキングやシール材、銘板等の同時発注を推奨する部品

2. Order for motorized valve, solenoid valve and pressure regulating valve

電動弁・電磁弁・圧力調整弁の発注

3. Order for temperature sensor 温度センサーの発注

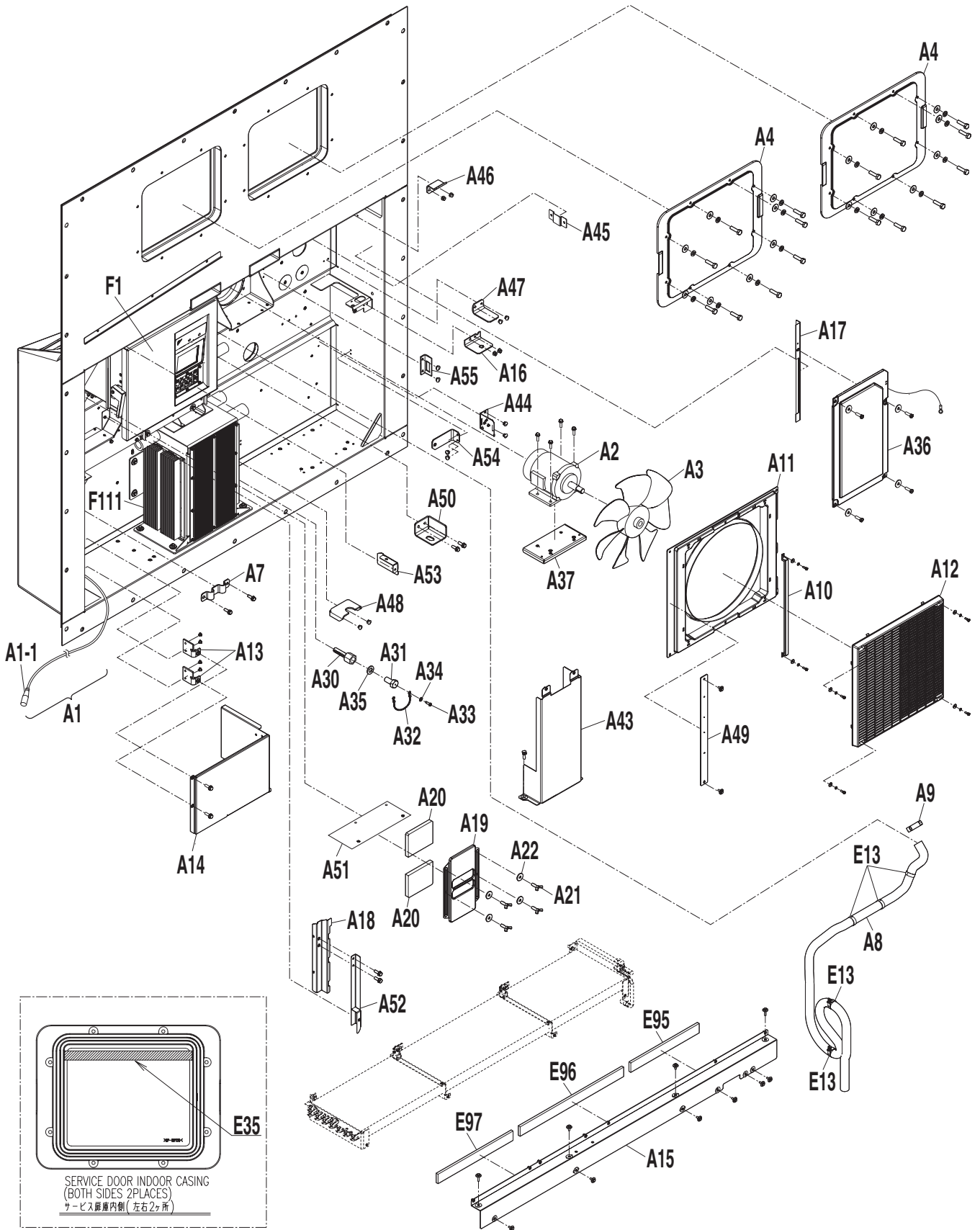
J. Measuring and adjusting tools40

測定調整用工具

1. Tools for emergency operation 緊急運転用工具

2. Personal computer cable (for DCCS) パソコンケーブル(DCCS用)

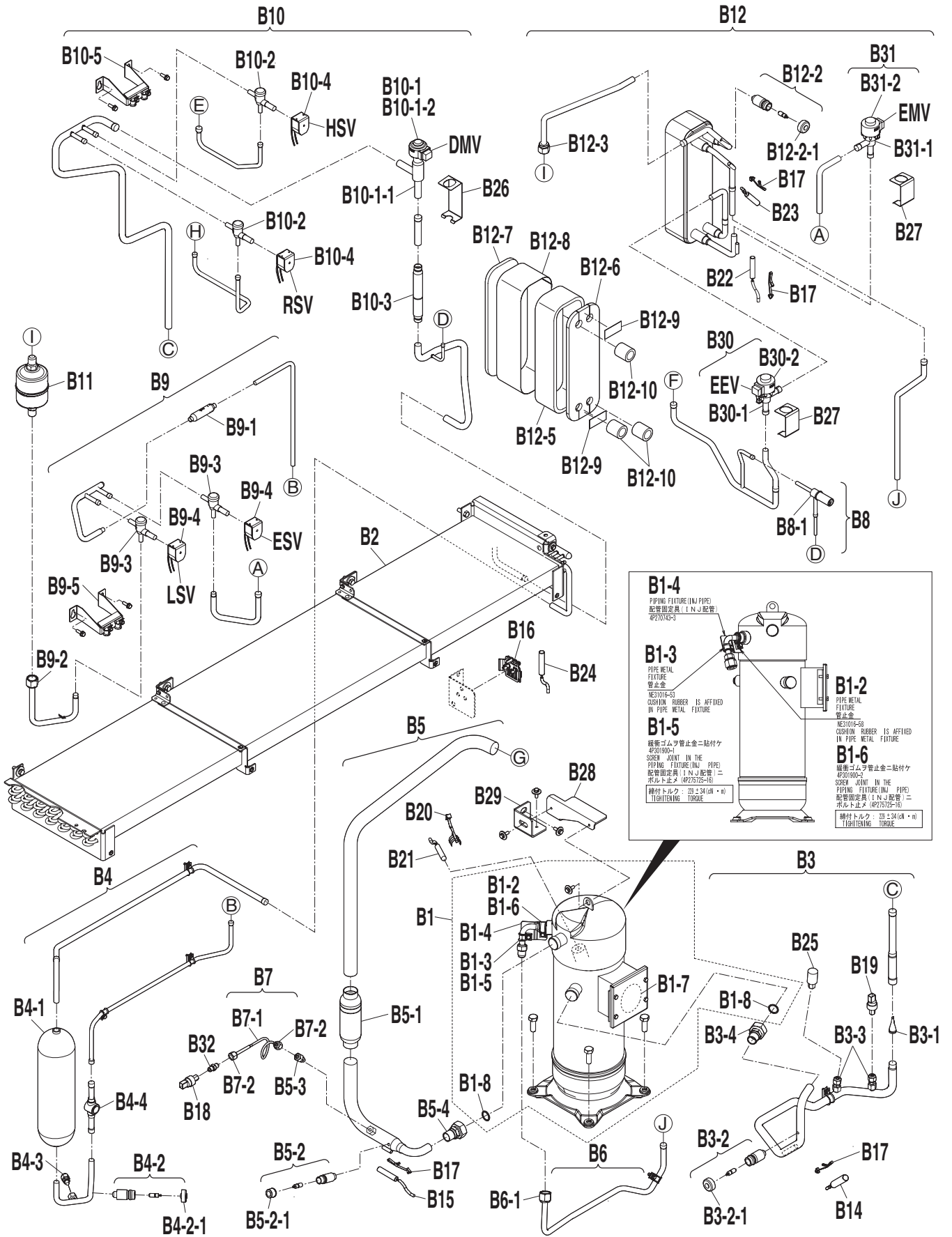
Parts related with the unit(outside)
庫外関連部品



| NO. 符号 | INDEX | PARTS NO. 部品番号 | PARTS NAME | 部品名称 | DWG. NO. 図面番号 | TYPE SPECIFICATION 形式 仕様 | QTY/UNIT 所要数/1台 LX10F15A2 | REMARKS 備考 |
|-----------|-------|-------------------|------------------------------------|--------------------|------------------|-----------------------------|---------------------------------|---------------|
| A1 | | | Power cable | 電線 (電源ケーブル手配表) | 3P267285-80 | | 1 | |
| A1-1 | | 1448270 | Power plug | 電源プラグ | 3P109727-1 | | 1 | |
| A2 | | 2075411 | Three phase AC fan motor(CFM) | 三相交流ファン電動機 (CFM) | 3P257573-1 | | 1 | |
| A3 | B | 0980618 | Fan blade(outside) | プロペラファン (庫外側) | 2P004956-1 | P44H11S | 1 | |
| A4 | C | 1938766 | Access panel(FRP) | サービス扉組立品 | 2P220365-1 | | 2 | |
| A7 | | 2093976 | Wire clamp | 電線止メ金 | 4P300434-1 | | 1 | |
| A8 | | 1938812 | Drain hose | ドレンホース | 3P171594-1 | | 1 | |
| A9 | | 537320J | Hose band | ホースバンド | R4716528-3 | | 1 | |
| A10 | | 1813689 | Fan guide stay(center) | ファンガイドステー (中央) | 3P007593-1 | | 1 | |
| A11 | | 2041317 | Fan guide(outside) | ファンガイド (庫外側) | 2P256178-1 | | 1 | |
| A12 | | 1938797 | Discharge grill | 吹出グリル | 1PA53427-7 | | 1 | |
| A13 | | 2041324 | Mounting plate 2, cable storage | ケーブル収納部板金取付板 (2) | 4P267114-1 | | 2 | |
| A14 | | 2093983 | Cable holding sheet metal | ケーブル収納部前板 | 3P292378-1 | | 1 | |
| A15 | | 2093990 | Front plate(CA) | C A 前板 (鋁金) (標準) | 2P291259-1 | | 1 | Refer to P.37 |
| A16 | | 2094001 | Front plate Mounting plate(CA) | C A 前板取付板組立品 | 4P301390-1 | | 1 | |
| A17 | | 1938836 | Fixing plate | 外板取付板 (1) | 3P233523-1 | | 1 | |
| A18 | | 2094018 | Duct(right)fixing plate ass'y | ダクト (右) 取付板組立品 | 4P302174-1 | | 1 | |
| A19 | | 2094025 | Cover(ventilation_cover) | カバー (換気口カバー電解研磨仕様) | 4P258643-1 | | 1 | Refer to P.37 |
| A20 | | 2094032 | Sealing material | シール材 (換気口) | 4P249140-1 | | 2 | Refer to P.37 |
| A21 | | 1775446 | Wing bolt | 蝶ボルト | 4P048681-2 | M6X20(S) | 4 | |
| A22 | | 0275145 | Plain washer(Woods round type) | 平座金 (木材用丸) | 4SK07006-6 | M6 | 17 | |
| A30 | | 1939536 | Protection cover | 温度計挿入口保護カバー | 4P085921-5 | | 1 | |
| A31 | | 1266238 | Hexagon head bolt | P C 六角ボルト | R4290921-125 | M12X25 | 1 | |
| A32 | | 1386930 | Latch(victor chain) | 掛金 (ビクターチェーン) | 4P063801-1 | | 1 | |
| A33 | | 1945315 | Tapping screw | タッピンネジ | 3P249912-10 | M3 SUS304 | 1 | |
| A34 | | 844012S | Plain washer | 平座金 | 4SK07005-3 | M3SUS | 25 | |
| A35 | | 1267084 | Gasket, resin bolt | パッキン樹脂ボルト用 | 4PA63573-1 | | 1 | |
| A36 | | 2094049 | Ass'y drawing | 前板 (右) 組立図 | 3P232497-1 | | 1 | |
| A37 | | 2094063 | Reinforce plate(outside fan motor) | 補強板 (庫外ファンモータ) | 4P295205-1 | | 1 | |
| A43 | | 2094070 | Cover(comp.)ass'y | 圧縮機カバー組立品 | 4P291727-1 | | 1 | |
| A44 | | 2094087 | Thermostat cover | サーモカバー (樹脂用) | 4P300426-1 | | 1 | |
| A45 | | 2094094 | PHE mounting plate(right) | プレート熱交取付板 (右) | 4P302199-2 | | 1 | |
| A46 | | 2094102 | Plate finned coil mount. plate | プレート熱交取付板 (2) | 4P258255-1 | | 1 | |
| A47 | | 2094119 | Plate finned coil mount. plate | プレート熱交取付板 (3) | 4P291615-1 | | 1 | |
| A48 | | 2094126 | Support plate for receiver painted | レシーバ支持板塗装品 | 4P296891-1 | | 1 | |
| A49 | | 2094133 | Connecting plate insulation sheet | 前板連結板絶縁シート貼付品 | 4P305607-1 | | 1 | |
| A50 | | 2094140 | El.compo.mounting plate(3) painted | 電装品取付板 (3) | 4P302235-1 | | 1 | |
| A51 | | 2094157 | Duct(low)fixing plate ass'y | ダクト (下) 取付板組立品 | 4P291755-1 | | 1 | |
| A52 | | 2094164 | Duct(right)fixing plate(2) painted | ダクト (右) 取付板 (2) | 4P302177-1 | | 1 | |
| A53 | | 2094171 | Partition plate paint | 仕切板塗装品 | 4P302175-1 | | 1 | |

Parts related with the unit(outside)
庫外関連部品

| NO. 符号 | INDEX | PARTS NO. 部品番号 | PARTS NAME 部品名称 | DWG. NO. 図面番号 | TYPE SPECIFICATION 形式 仕様 | QTY/UNIT 所要数/1台 LX10F15A2 | REMARKS 備考 |
|-----------|-------|-------------------|--|------------------|-----------------------------|---------------------------------|---------------|
| A54 | | 2094188 | Injection pipe fixing plate インジェクション配管取付板組立品 | 4P292530-1 | | 1 | |
| A55 | | 1787487 | Set plate, dryer 取付板 (ドライヤ) | 4P076788-2 | | 1 | |
| A56 | | 2094195 | Liquid receiver pipe fixing plate 受液器配管取付板組立品 | 4P303699-1 | | 1 | Refer to P.19 |
| E13 | | 1266788 | Resin clamp 樹脂バンド | NE41015-12 | | 7 | |
| E35 | | 2095011 | Access panel packing サービス扉パッキン | 3P292212-9 | | 2 | |
| E95 | | 2041348 | Packing for prevention of air bypass for CA CAバイパス防止パッキン(4) | 4P264681-4 | | 1 | |
| E96 | | 2041355 | Packing for prevention of air bypass for CA CAバイパス防止パッキン(5) | 4P264681-5 | | 1 | |
| E97 | | 2041362 | Packing for prevention of air bypass for CA CAバイパス防止パッキン(6) | 4P264681-6 | | 1 | |
| F1 | | | Electric components ass'y 電装品組立品 | 2P292171-2 | | 1 | |
| F111 | | | El.compo.ass'y(INV BOX ass'y) 電装品組立品(INV BOX組立品) | 2P286630-2 | | 1 | |
| | | | | | | | |
| | | | | | | | |
| | | | | | | | |
| | | | | | | | |
| | | | | | | | |
| | | | | | | | |
| | | | | | | | |
| | | | | | | | |
| | | | | | | | |
| | | | | | | | |
| | | | | | | | |
| | | | | | | | |
| | | | | | | | |
| | | | | | | | |
| | | | | | | | |
| | | | | | | | |
| | | | | | | | |
| | | | | | | | |
| | | | | | | | |
| | | | | | | | |
| | | | | | | | |
| | | | | | | | |
| | | | | | | | |
| | | | | | | | |
| | | | | | | | |
| | | | | | | | |
| | | | | | | | |
| | | | | | | | |
| | | | | | | | |
| | | | | | | | |
| | | | | | | | |
| | | | | | | | |
| | | | | | | | |
| | | | | | | | |
| | | | | | | | |
| | | | | | | | |
| | | | | | | | |
| | | | | | | | |
| | | | | | | | |
| | | | | | | | |



B1-4
PIPING FIXTURE (INU PIPE)
配管固定具 (I N U 配管)
#P21045-3

B1-3
PIPE METAL
FIXTURE
管止金
NE31016-33
CUSHION RUBBER IS AFFIXED
IN PIPE METAL FIXTURE

B1-5
緩衝ゴムラ管止金ニ貼付ケ
#P21040-1
SOFTEN JOINT IN THE
PIPING FIXTURE (INU PIPE)
配管固定具 (I N U 配管) ニ
ホルト止メ (#P215725-16)

B1-2
PIPE METAL
FIXTURE
管止金
NE31016-59
CUSHION RUBBER IS AFFIXED
IN PIPE METAL FIXTURE

B1-6
緩衝ゴムラ管止金ニ貼付ケ
#P21040-2
SOFTEN JOINT IN THE
PIPING FIXTURE (INU PIPE)
配管固定具 (I N U 配管) ニ
ホルト止メ (#P215725-16)

締付トルク: 23 ± 3 (N · m)
TIGHTENING TORQUE

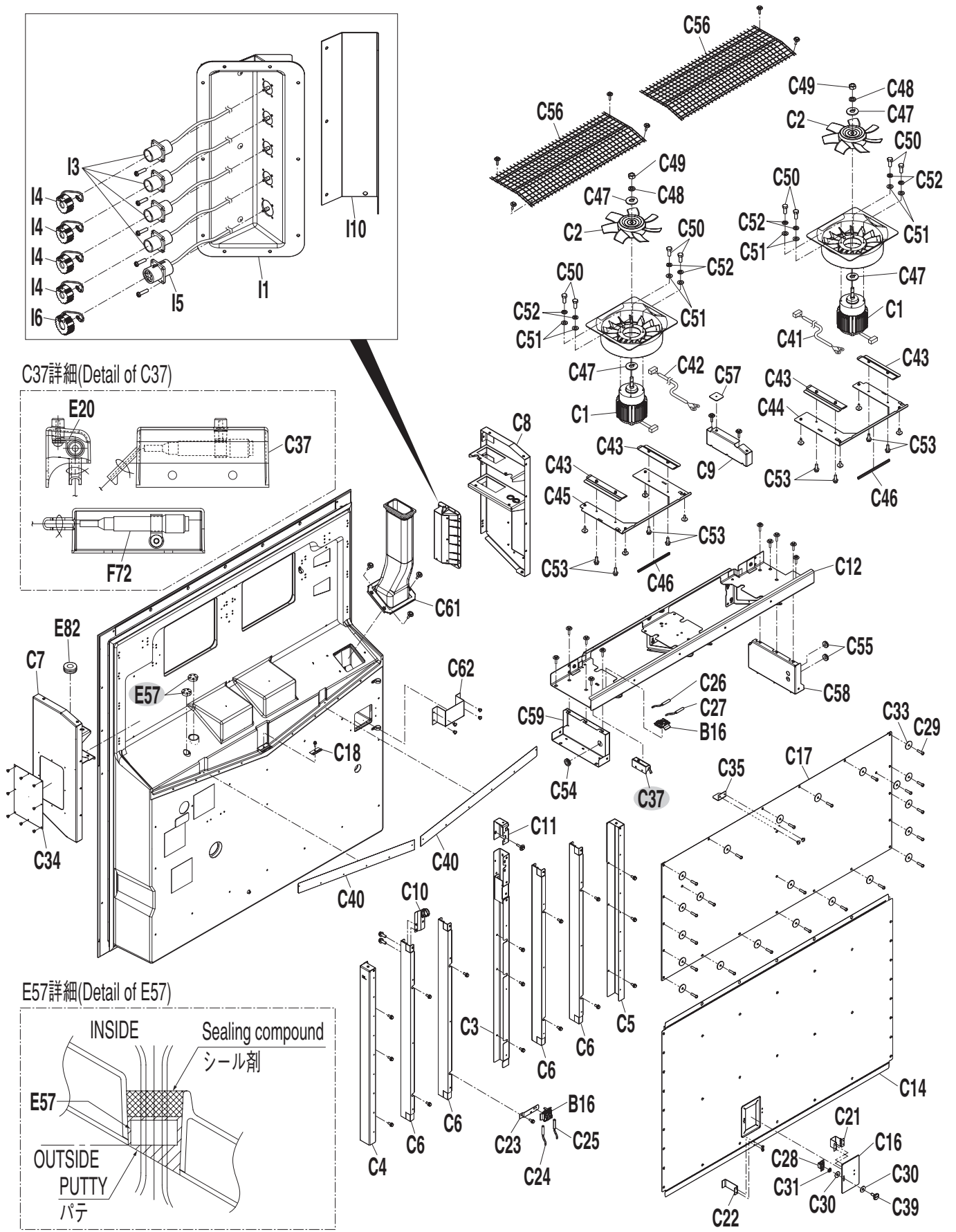
| NO. 符号 | INDEX | PARTS NO. 部品番号 | PARTS NAME | 部品名称 | DWG. NO. 図面番号 | TYPE SPECIFICATION 形式 仕様 | QTY/UNIT 所要数/1台 LX10F15A2 | REMARKS 備考 |
|-----------|-------|-------------------|-------------------------------------|-------------------------------|------------------|-------------------------------|---------------------------------|---------------|
| B1 | | 2094203 | Compressor ass'y(BFBL10F50) | 圧縮機組立品(B F B L 1 0 F 5 0) | BFBL10F50 | | 1 | |
| B1-2 | | 1592425 | Tube clamp | 管止金 | NE31016-58 | | 2 | |
| B1-3 | | 0414421 | Tube clamp | 管止金 | NE31016-53 | | 1 | |
| B1-4 | | 2094210 | Piping fixture(INJ pipe)2(non | 配管固定具 (I N J 配管) 2 (塗装無し) | 4P270743-3 | | 1 | |
| B1-5 | | | Comp. INJ pipe cushion rubber | 圧縮機 I N J 配管緩衝ゴム (1) | 4P301900-1 | | 1 | |
| B1-6 | | | Comp. INJ pipe cushion rubber | 圧縮機 I N J 配管緩衝ゴム (2) | 4P301900-2 | | 1 | |
| B1-7 | | 2094227 | Rubber gasket | ゴムガスケット (圧縮機カバー用パッキン) | 4P305132-1 | | 1 | |
| B1-8 | | 2094234 | Packing/discharge end cover | ノンアスベストガスケット | 4P297257-1 | | 2 | |
| B2 | | 2085937 | Heat exchanger ass'y(Condenser) | 熱交換器組立品 (凝縮器) | 3P288888-1 | | 1 | |
| B3 | | | Discharge pipe ass'y | 吐出配管組立品 | 3P290489-1 | | 1 | ※Note1 (注1) |
| B3-1 | C | 1199167 | Strainer | ストレーナ | 4P051389-1 | | 1 | |
| B3-2 | C | 1178920 | Service valve ass'y | サービスバルブ組立品 | 3P048905-1 | | 1 | |
| B3-2-1 | B | 117592J | Service valve cap | キャップ | 3P048905-1-KU | | 1 | |
| B3-3 | B | 1922413 | Gauge joint(with check valve) | 逆止弁付ゲージ継手 (鋼球付) | 2PF00177-1 | VCG2DA φ6.4 C1220T NPTF1/8-27 | 2 | |
| B3-4 | | 2094241 | Compressor joint | 圧縮機継手 | 3P263236-1 | | 1 | ※Note1 (注1) |
| B4 | | | Liquid receiver ass'y | 受液器組立品 | 3P290494-1 | | 1 | |
| B4-1 | | 1939480 | Liquid receiver | 冷媒調整器 | 4P081428-2 | | 1 | |
| B4-2 | C | 1178920 | Service valve ass'y | サービスバルブ組立品 | 3P048905-1 | | 1 | |
| B4-2-1 | B | 117592J | Service valve cap | キャップ | 3P048905-1-KU | | 1 | |
| B4-3 | A | 1498035 | Fusible plug | 可熔栓 | 3SA27103-1 | | 1 | |
| B4-4 | A | 2098801 | Liquid moisture indicator | サイトグラス | 3PA51270-3 | | 1 | |
| B5 | | | Suction pipe joint ass'y | 吸入配管継手組立品 | 3P291406-1 | | 1 | ※Note1 (注1) |
| B5-1 | | 1266308 | Filter | 冷媒フィルタ | 3P032328-1 | | 1 | |
| B5-2 | C | 1178937 | Service valve ass'y | サービスバルブ組立品 | 3P048907-1 | | 1 | |
| B5-2-1 | B | 117591J | Service valve cap | キャップ | 3P048907-1-KU | | 1 | |
| B5-3 | B | 1922413 | Gauge joint(with check valve) | 逆止弁付ゲージ継手 (鋼球付) | 2PF00177-1 | VCG2DA φ6.4 C1220T NPTF1/8-27 | 1 | |
| B5-4 | | 2094241 | Compressor joint | 圧縮機継手 | 3P263236-1 | | 1 | ※Note1 (注1) |
| B6 | | | Injection pipe thermal insulation | インジェクション配管断熱材貼付品 | 4P292957-1 | | 1 | |
| B6-1 | | 119849J | Flare nut | フレアナット | 4SK23012-4 | FNSF4 U3/4 D12.7CUT | 1 | |
| B7 | | 2094258 | Low pressure gauge piping | 低圧ゲージ配管組立品 | 4P290565-1 | | 1 | |
| B7-1 | | | Capillary | キャピラリ | 4P291419-1 | | 1 | |
| B7-2 | | 1723546 | Flare nut | フレアナット | 4SK23012-1 | FNSF2 U7/16 D6.4CUT | 2 | |
| B8 | | | PCV pipe thermal insulation ass'y | P C V 配管防露筒組立品 | 4P301250-1 | | 1 | |
| B8-1 | B | 1389016 | Discharge pressure regulating valve | 吐出圧力調整弁 | 3SA51003-1 | DPR-343D | 1 | |
| B9 | | | LSV ESV mounting plate ass'y | L S V E S V 取付板組立品 | 3P292945-1 | | 1 | |
| B9-1 | C | 029913J | Filter | フィルタ | 3SA26004-2 | FI-2339 | 1 | |
| B9-2 | | 119849J | Flare nut | フレアナット | 4SK23012-4 | FNSF4 U3/4 D12.7CUT | 1 | |
| B9-3 | B | 1787247 | Solenoid valve body | 電磁弁 | 3P198486-1 | VPV-803DQ52 | 2 | Refer to P.38 |
| B9-4 | A | 1266290 | Solenoid valve coil | 電磁弁コイル | 3P010453-2 | | 2 | Refer to P.38 |

*Note1 : Compressor joint (B3-4, B5-4) connected by special brazing cannot be replaced on site, therefore replace discharge pipe ass'y or suction pipe ass'y (B3 or B5).
*注1 : 圧縮機継手(B3-4, B5-4)は特殊溶接で接続されていますので現場での交換は出来ません。吐出管組立品か吸入管組立品(B3 or B5)で交換してください。

Parts related with refrigerant piping(outside)
庫外冷媒配管関連部品

| NO. 符号 | INDEX | PARTS NO. 部品番号 | PARTS NAME | 部品名称 | DWG. NO. 図面番号 | TYPE SPECIFICATION 形式 仕様 | QTY/UNIT 所要数/1台 LX10F15A2 | REMARKS 備考 |
|-----------|-------|-------------------|---------------------------------|----------------------|------------------|-----------------------------|---------------------------------|---------------|
| B9-5 | | 2094265 | Mounting plate | 電磁弁取付板 | 4P291336-1 | | 1 | |
| B10 | | | DMV SV pl ass'y | DMV S V取付板組立品 | 3P292944-1 | | 1 | |
| B10-1 | | | Motor operated valve ass'y(DMV) | 電動弁組立品 (DMV) | 3P264091-3 | 銘板貼付品 | 1 | |
| B10-1-1 | | 2085999 | Motor operated valve body(DMV) | 電動弁本体 (DMV) | 3SA50098-1 | | 1 | Refer to P.38 |
| B10-1-2 | | 2089294 | Motor operated valve coil | 電動弁コイル (補用) | 4P305202-1 | | 1 | Refer to P.38 |
| B10-2 | B | 1787247 | Solenoid valve body | 電磁弁 | 3P198486-1 | VPV-803DQ52 | 2 | Refer to P.38 |
| B10-3 | B | 0684220 | Check valve | 逆止弁 | 3SA27008-1 | | 1 | |
| B10-4 | A | 1266290 | Solenoid valve coil | 電磁弁コイル | 3P010453-2 | | 2 | Refer to P.38 |
| B10-5 | | 2094265 | Mounting plate | 電磁弁取付板 | 4P291336-1 | | 1 | |
| B11 | A | 2139029 | Drier ass'y | ドライヤ組立品 | 3P300735-1 | | 1 | |
| B12 | | 2089287 | Plate heat exchanger ass'y | プレート熱交換器組立品 | 3P305234-1 | | 1 | |
| B12-2 | C | 1178920 | Service valve ass'y | サービスバルブ組立品 | 3P048905-1 | | 1 | |
| B12-2-1 | B | 117592J | Service valve cap | キャップ | 3P048905-1-KU | | 1 | |
| B12-3 | | 119849J | Flare nut | フレアナット | 4SK23012-4 | FNSF4 U3/4 D12.7CUT | 1 | |
| B12-5 | | 2094272 | PHE thermal insulation(1) | プレート熱交断熱材 (1) | 3P292291-1 | | 1 | |
| B12-6 | | 2094289 | PHE thermal insulation(2) | プレート熱交断熱材 (2) | 3P292291-2 | | 1 | |
| B12-7 | | 2094296 | PHE thermal insulation(3) | プレート熱交断熱材 (3) | 3P292291-3 | | 1 | |
| B12-8 | | 2094304 | PHE thermal insulation(4) | プレート熱交断熱材 (4) | 3P292291-4 | | 1 | |
| B12-9 | | 2094328 | PHE thermal insulation(5) | プレート熱交断熱材 (5) | 3P292291-5 | | 2 | |
| B12-10 | | 2094335 | PHE pipe insulation tube | プレート熱交配管防露筒 | 3P292466-5 | | 3 | |
| B14 | A | 098332J | Thermistor(DCHS) | サーミスタ (D C H S) | 3SA48009-10 | | 1 | Refer to P.39 |
| B15 | A | 098333J | Thermistor(SGS) | サーミスタ (S G S) | 3PA61769-9 | ST9503-9(white) | 1 | Refer to P.39 |
| B16 | | 1939466 | Thermistor fixing plate, Resin | サーミスタ固定具 | 3P229771-1 | | 3 | |
| B17 | | 042396J | Mounting spring, thermistor | サーミスタ取付バネ | 4PA38890-1 | | 5 | |
| B18 | A | 158794J | Low pressure transducer(LPT) | 低圧圧力センサ (L P T) | 3P141601-1 | NSK-BD010F-070 | 1 | |
| B19 | A | 158795J | High pressure transducer(HPT) | 高圧圧力センサ (H P T) | 3P141602-1 | NSK-BD030F-070 | 1 | |
| B20 | | 2094342 | Mounting spring, thermistor | サーミスタ取付バネ | 4P275741-1 | | 1 | |
| B21 | A | 2094359 | Thermistor(DHCS2) | サーミスタ (D H C S 2) | 3P301506-1-KU | | 1 | Refer to P.39 |
| B22 | A | 079828J | Thermistor(ECO IN) | サーミスタ (E C O I N) | 3PA61769-2 | | 1 | Refer to P.39 |
| B23 | A | 0798307 | Thermistor(ECO OUT) | サーミスタ (E C O O U T) | 3PA61769-4 | | 1 | Refer to P.39 |
| B24 | A | 079832J | Thermistor(AMBS) | サーミスタ (A M B S) | 3PA61769-6 | ST9503-6(NIL) | 1 | Refer to P.39 |
| B25 | | 2075435 | Wire harness ass'y (HPS) | ワイヤハーネス (H P S) | 3P260705-1 | | 1 | |
| B26 | | 2094366 | DMV coil fixture | DMVコイル固定金具 | 3P261431-2 | | 1 | |
| B27 | | 1940668 | EV coil fixture | E Vコイル固定金具 | 3P223182-9 | | 2 | |
| B28 | | 2094373 | Comp. fixing plate(1)(painted) | 圧縮機上部固定金具 (1) (塗装有り) | 3P302126-3 | | 1 | |
| B29 | | 2094380 | Comp. fixing plate(2)(painted) | 圧縮機上部固定金具 (2) (塗装有り) | 3P302126-4 | | 1 | |
| B30 | | | Electronic exp.valve ass'y(EEV) | 電動弁組立品 (E E V) | 3P264091-1 | 銘板貼付品 | 1 | |
| B30-1 | | 2075473 | Electronic Exp. valve body(EEV) | 電動弁本体 (E E V) | 3SA50103-1 | HCM-BD35DM-2 | 1 | Refer to P.38 |
| B30-2 | | 2089294 | Motor operated valve coil | 電動弁コイル (補用) | 3P305202-1 | | 1 | Refer to P.38 |
| B31 | | | Motor operated valve ass'y(EMV) | 電動弁組立品 (E M V) | 3P264091-2 | | 1 | |

| NO. 符号 | INDEX | PARTS NO. 部品番号 | PARTS NAME | 部品名称 | DWG. NO. 図面番号 | TYPE SPECIFICATION 形式 仕様 | QTY/UNIT 所要数/1台 LX10F15A2 | REMARKS 備考 |
|-----------|-------|-------------------|--------------------------------|---------------|------------------|-----------------------------|---------------------------------|---------------|
| B31-1 | | 2075480 | Motor operated valve body(EMV) | 電動弁本体 (E M V) | 3SA50102-1 | HCM-BD24DM-1 | 1 | Refer to P.38 |
| B31-2 | | 2089294 | Motor operated valve coil | 電動弁コイル (補用) | 4P305202-1 | | 1 | Refer to P.38 |
| B32 | | 253101 | Union joint | ユニオン管継手 | NI42011-1 | UFF2-2 1/4B | 1 | |
| | | | | | | | | |
| | | | | | | | | |
| | | | | | | | | |
| | | | | | | | | |
| | | | | | | | | |
| | | | | | | | | |
| | | | | | | | | |
| | | | | | | | | |
| | | | | | | | | |
| | | | | | | | | |
| | | | | | | | | |
| | | | | | | | | |
| | | | | | | | | |
| | | | | | | | | |
| | | | | | | | | |
| | | | | | | | | |
| | | | | | | | | |
| | | | | | | | | |
| | | | | | | | | |
| | | | | | | | | |
| | | | | | | | | |
| | | | | | | | | |
| | | | | | | | | |
| | | | | | | | | |
| | | | | | | | | |
| | | | | | | | | |
| | | | | | | | | |
| | | | | | | | | |
| | | | | | | | | |
| | | | | | | | | |
| | | | | | | | | |
| | | | | | | | | |
| | | | | | | | | |
| | | | | | | | | |
| | | | | | | | | |
| | | | | | | | | |
| | | | | | | | | |
| | | | | | | | | |
| | | | | | | | | |
| | | | | | | | | |
| | | | | | | | | |
| | | | | | | | | |
| | | | | | | | | |
| | | | | | | | | |



| NO. 符号 | INDEX | PARTS NO. 部品番号 | PARTS NAME | 部品名称 | DWG. NO. 図面番号 | TYPE SPECIFICATION 形式 仕様 | QTY/UNIT 所要数/1台 LX10F15A2 | REMARKS 備考 |
|-----------|-------|-------------------|----------------------------------|---------------------------|------------------|-----------------------------|---------------------------------|---------------|
| C1 | A | 2065995 | Three phase AC fan motor(EFM) | 三相交流ファン電動機 (E F M) | 3P290150-1 | | 2 | |
| C2 | B | 2066006 | Propeller fan rotor | プロペラロータ | 3P285922-1 | | 2 | |
| C3 | | 2094397 | Center stay(bottom) | 中央ステー (下) | 3P301017-1 | | 1 | |
| C4 | | 2041386 | Side stay | サイドステー (1) 組立品 | 3P233675-3 | | 1 | |
| C5 | | 2041393 | Side stay | サイドステー (2) 組立品 | 3P233675-4 | | 1 | |
| C6 | | 2094405 | Rear stay | 背面ステー組立品 | 3P274059-2 | | 4 | |
| C7 | | 2094412 | CRB frame plate(1)nut ass'y | 蒸発器枠 (1) 組立品 | 3P305363-1 | | 1 | |
| C8 | | 2094429 | Plate finned coil frame plate | 蒸発器枠 (2) 組立品 | 2P289363-2 | | 1 | |
| C9 | | 2094436 | Fan housing main body ass'y(1) | ファンガイド固定板組立品 (1) | 4P299658-1 | | 1 | |
| C10 | | 2094791 | Suction pipe fixing plate nut | 吸入配管取付板組立品 | 4P299352-1 | | 1 | |
| C11 | | 2094809 | Center stay(upper) | 中央ステー (上) | 4P301021-1 | | 1 | |
| C12 | | 2094816 | Fan housing main body ass'y | 庫内ファンガイド組立品 | 3P300786-1 | | 1 | |
| C14 | | 1939271 | Rear plate(lower) | 裏板 (下) | 2P235277-1 | SUS t0.8 | 1 | |
| C16 | | 1686926 | Supply sensor inspection door | サブライセンサ点検蓋 (裏板SUS t0.8仕様) | 4P166062-1 | | 1 | |
| C17 | | 2094823 | Rear plate(sheet metal)upper | 裏板 (鋳金) 上 (パッキン貼付品) | 3P292203-1 | | 1 | |
| C18 | | 1266485 | Partition plate(drain outlet) | 仕切板 (ドレン出口) | 4P011317-1 | | 1 | |
| C21 | | 1135125 | Hinge | 蝶番 | 3P043374-1 | | 1 | |
| C22 | | 1726576 | Rear stay | 背面ステー (裏板下 t 0.8 仕様) | 4P156199-2 | | 1 | |
| C23 | | 1605446 | Mounting plate | サブライセンサ取付板 | 4P144433-1 | | 1 | |
| C24 | A | 1713330 | Thermistor(SS) | サーミスタ (S S) | 3PA61769-16 | | 1 | Refer to P.39 |
| C25 | A | 1713347 | Thermistor(DDS) | サーミスタ (D D S) | 3PA61769-17 | | 1 | Refer to P.39 |
| C26 | A | 1713354 | Thermistor(RS) | サーミスタ (R S) | 3PA61769-18 | | 1 | Refer to P.39 |
| C27 | A | 1713361 | Thermistor(DRS) | サーミスタ (D R S) | 3PA61769-19 | | 1 | Refer to P.39 |
| C28 | | 860015 | Universal nut | 自在ナット | R4713188-1 | | 1 | |
| C29 | | 1685170 | Pan head screw | ナベ小ネジM5 SUS (土穴付) | 4P167690-1 | | 23 | |
| C30 | | 860005 | Washer, speed bolt | 平座金 | R4713334 | | 2 | |
| C31 | | 840002 | Dropout prevention washer | 歯付き座金 | R4718607-6 | M6 | 1 | |
| C33 | | 1685187 | Washer | 木材座金M5用 (φ25) | 4P170127-5 | | 23 | |
| C34 | | 2094830 | CRB cover | カバー (蒸発器) | 4P305364-1 | | 1 | |
| C35 | | 1496976 | Rear plate(middle) fixture | 裏板 (中) 固定具 | 4P105391-1 | | 1 | |
| C37 | | 1939264 | Mounting plate, thermistor(HUS) | サーミスタ固定具 (H U S) | 3P229414-1 | | 1 | |
| C39 | | 860011 | Speed bolt | スピードボルト | 4P048680-1 | M6X23(S) | 1 | |
| C40 | | 2041456 | Partition plate, drain | ドレン仕切板 | 3P154719-3 | | 2 | |
| C41 | | 2094847 | Wire harness(inside motor cable) | ワイヤハーネス(庫内モータケーブル) | 3P292689-3 | | 1 | |
| C42 | | 2094854 | Wire harness(inside motor cable) | ワイヤハーネス(庫内モータケーブル) | 3P292689-4 | | 1 | |
| C43 | | 2075668 | Inside fan mounting plate ass'y | 庫内ファン取付板組立品 | 4P289143-1 | | 4 | |
| C44 | | 2075675 | Fan housing main body ass'y(1) | ファンハウジング組立品 (1) | 4P289360-1 | | 1 | |
| C45 | | 2075682 | Fan housing main body ass'y(2) | ファンハウジング組立品 (2) | 4P289360-2 | | 1 | |
| C46 | | 2075721 | Bell mouth packing | ベルマウスパッキン | 4P292236-1 | | 2 | |
| C47 | | 2075738 | Plain packing | 平座金 | 4P293428-1 | | 4 | |

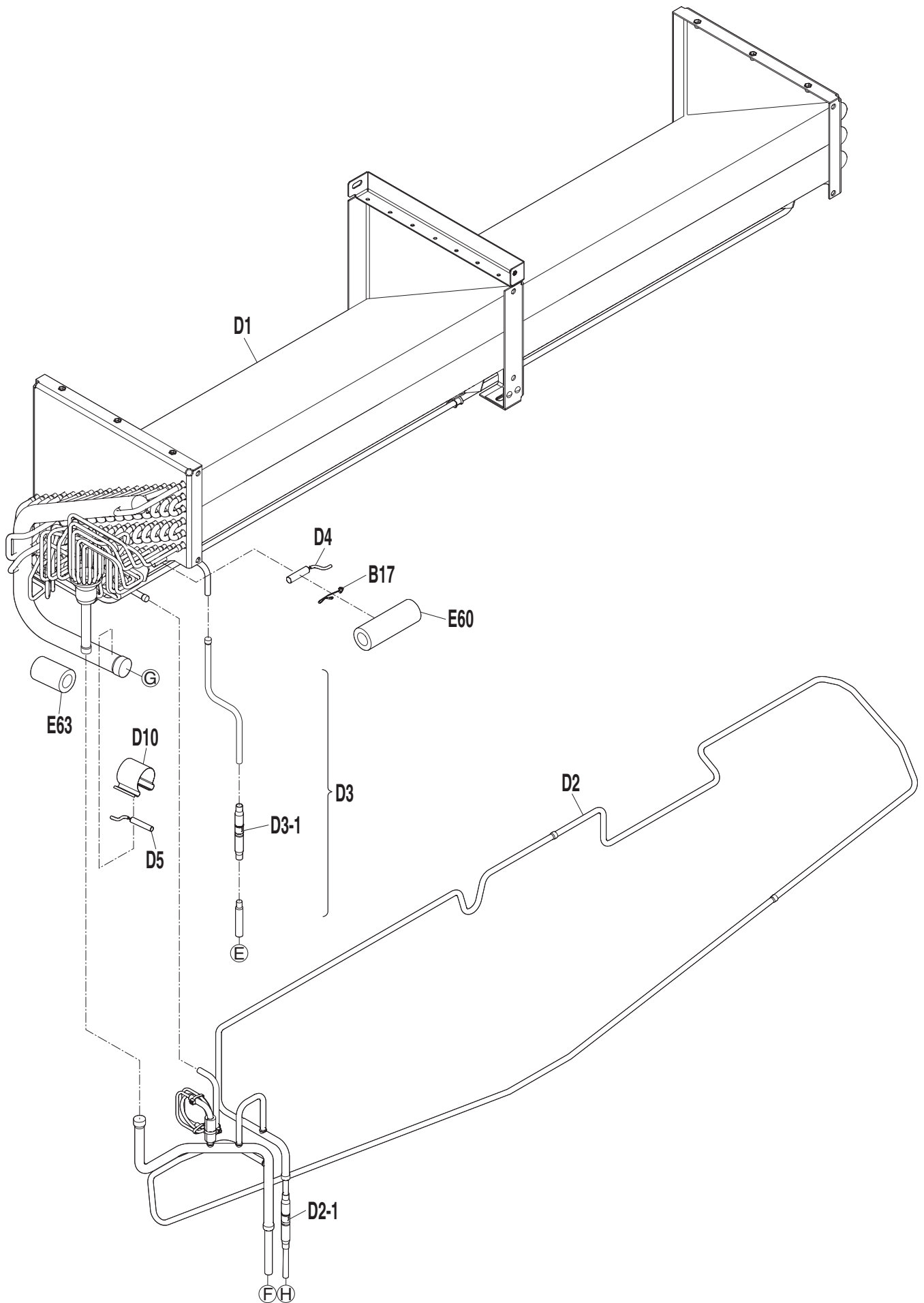
Parts related with the unit(inside)
庫内関連部品

| NO. 符号 | INDEX | PARTS NO. 部品番号 | PARTS NAME 部品名称 | DWG. NO. 図面番号 | TYPE SPECIFICATION 形式 仕様 | QTY/UNIT 所要数/1台 LX10F15A2 | REMARKS 備考 |
|-----------|-------|-------------------|----------------------------------|-------------------|-----------------------------|---------------------------------|---------------|
| C48 | | 2094861 | Spring washer No.2 | バネ座金 2号 | 4P293715-14 | 2 | |
| C49 | | 2075745 | Hexagon nut(left-hand thread) | 六角ナット (左ネジ) | 4P293427-14 | 2 | |
| C50 | | 0242448 | Hexagon head bolt | 六角ボルト | 4SK01016-20 | M8×20 SUS304 | 8 |
| C51 | | 0816849 | Washer | 平座金 | 4SK07005-8 | M8 SUS | 8 |
| C52 | | 0437640 | Spring washer | バネ座金 (2号) | 4SK07110-8 | M8 SUS304 | 8 |
| C53 | | 2075790 | Hexagon bolt with washer | 六角セムス (SW+PW) | 3P135843-25 | 8 | |
| C54 | | 1267356 | Rubber bush | ゴムブッシュ | R3713279-4 | 3 | Refer to P.20 |
| C55 | | 0024640 | Rubber bush | ゴムブッシュ | R3713279-3 | 2 | |
| C56 | | 2075884 | Inside fan cover | 庫内ファンカバー | 3P286005-1 | 2 | |
| C57 | | 2094878 | Inside fan cover patch plate | 庫内ファンカバー当板 | 4P295085-1 | 1 | |
| C58 | | 2094885 | Fan guide mounting plate(left) | ファンガイド取付板 (左) 組立品 | 4P300829-1 | 1 | |
| C59 | | 2094892 | Fan guide mounting plate(right) | ファンガイド取付板 (右) 組立品 | 4P300879-1 | 1 | |
| C61 | | 2094900 | Inside suction duct ass'y | 庫内吸込ミダクト断熱材組立品 | 3P298966-1 | 1 | |
| C62 | | 2094917 | Inside outlet duct holder | 庫内吹出ダクト受皿 | 4P249623-1 | 1 | |
| B16 | | 1939466 | Thermistor fixing plate, Resin | サーミスタ固定具 | 3P229771-1 | 3 | Refer to P.8 |
| E20 | | 380043 | Resin clamp | 樹脂バンド | NE41015-5 | NK-8N | 1 |
| E57 | | 1267091 | Wiring protection bush | 配線保護ブッシュ | 4P023920-1 | 2 | |
| E82 | | 1267370 | Rubber bush | ゴムブッシュ | R3713279-2 | 1 | |
| F72 | | 2091514 | HU sensor | 湿度センサ | 3P204826-3 | 1 | |
| I1 | | 1938867 | Mounting plate ass'y, receptacle | U S D A取付板 | 2P229418-1 | 1 | |
| I3 | | 2154648 | USDA connector | U S D Aコネクタ | 3P330632-1 | 4 | |
| I4 | | 2154655 | Cover ass'y, USDA | U S D Aカバー組立品 | 3P319775-1 | 4 | |
| I5 | | 2126186 | Receptacle connector(body) | レセプタクルコネクタ (本体) | 3P207673-4 | 1 | |
| I6 | | 2095826 | Cover ass'y, PC port | パソコンポートカバー組立品 | 3P303501-2 | 1 | |
| I10 | | 2041494 | USDA Receptacle cover | 電線保護カバー (U S D A) | 3P146268-2 | 1 | |
| | | | | | | | |
| | | | | | | | |
| | | | | | | | |
| | | | | | | | |
| | | | | | | | |
| | | | | | | | |
| | | | | | | | |
| | | | | | | | |
| | | | | | | | |
| | | | | | | | |
| | | | | | | | |
| | | | | | | | |
| | | | | | | | |
| | | | | | | | |
| | | | | | | | |
| | | | | | | | |
| | | | | | | | |
| | | | | | | | |
| | | | | | | | |

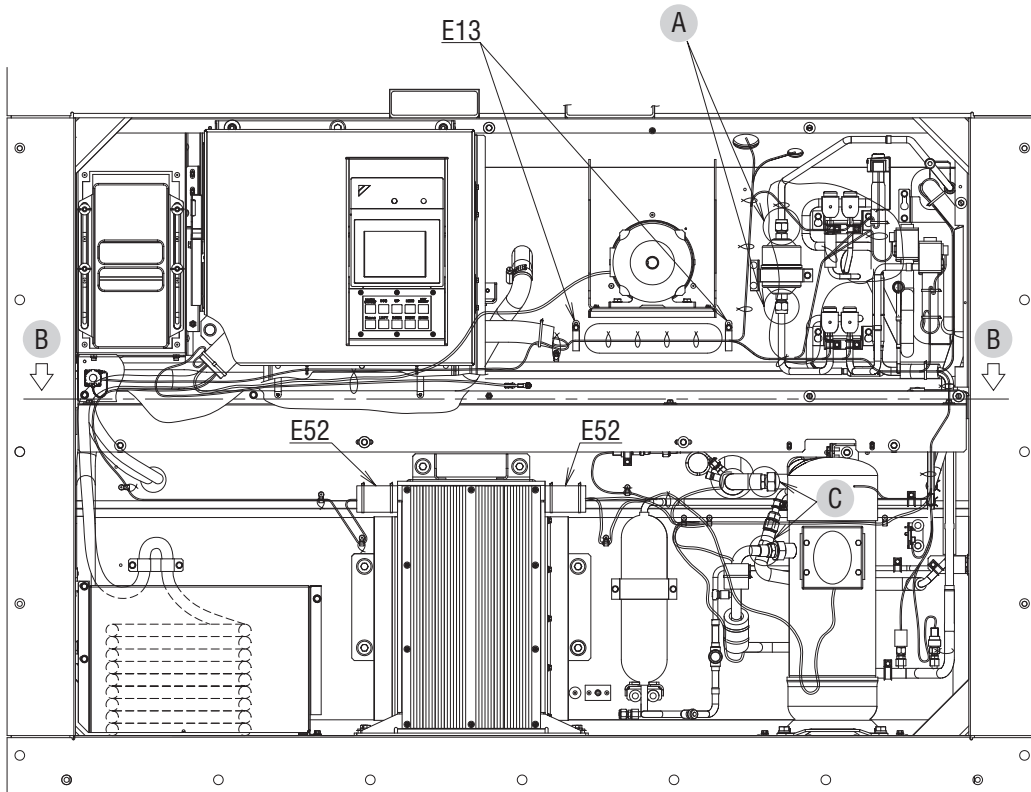
(TR11-08A)

| NO. 符号 | INDEX | PARTS NO. 部品番号 | PARTS NAME | 部品名称 | DWG. NO. 図面番号 | TYPE SPECIFICATION 形式 仕様 | QTY/UNIT 所要数/1台 LX10F15A2 | REMARKS 備考 |
|-----------|-------|-------------------|------------|------|------------------|-----------------------------|---------------------------------|---------------|
| | | | | | | | | |
| | | | | | | | | |
| | | | | | | | | |
| | | | | | | | | |
| | | | | | | | | |
| | | | | | | | | |
| | | | | | | | | |
| | | | | | | | | |
| | | | | | | | | |
| | | | | | | | | |
| | | | | | | | | |
| | | | | | | | | |
| | | | | | | | | |
| | | | | | | | | |
| | | | | | | | | |
| | | | | | | | | |
| | | | | | | | | |
| | | | | | | | | |
| | | | | | | | | |
| | | | | | | | | |
| | | | | | | | | |
| | | | | | | | | |
| | | | | | | | | |
| | | | | | | | | |
| | | | | | | | | |
| | | | | | | | | |
| | | | | | | | | |
| | | | | | | | | |
| | | | | | | | | |
| | | | | | | | | |
| | | | | | | | | |
| | | | | | | | | |
| | | | | | | | | |
| | | | | | | | | |
| | | | | | | | | |
| | | | | | | | | |
| | | | | | | | | |
| | | | | | | | | |
| | | | | | | | | |
| | | | | | | | | |
| | | | | | | | | |
| | | | | | | | | |
| | | | | | | | | |
| | | | | | | | | |
| | | | | | | | | |
| | | | | | | | | |
| | | | | | | | | |
| | | | | | | | | |
| | | | | | | | | |
| | | | | | | | | |
| | | | | | | | | |
| | | | | | | | | |
| | | | | | | | | |

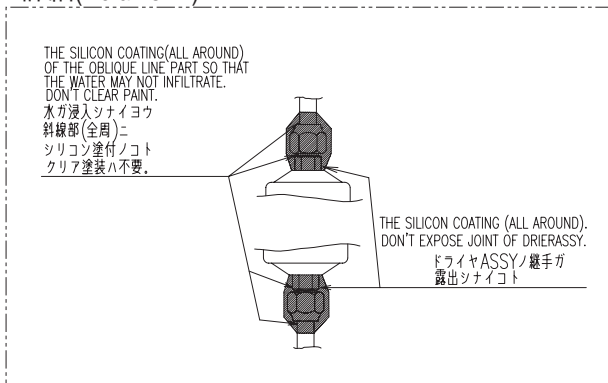
Parts related with refrigerant piping(inside)
庫内冷媒配管関連部品



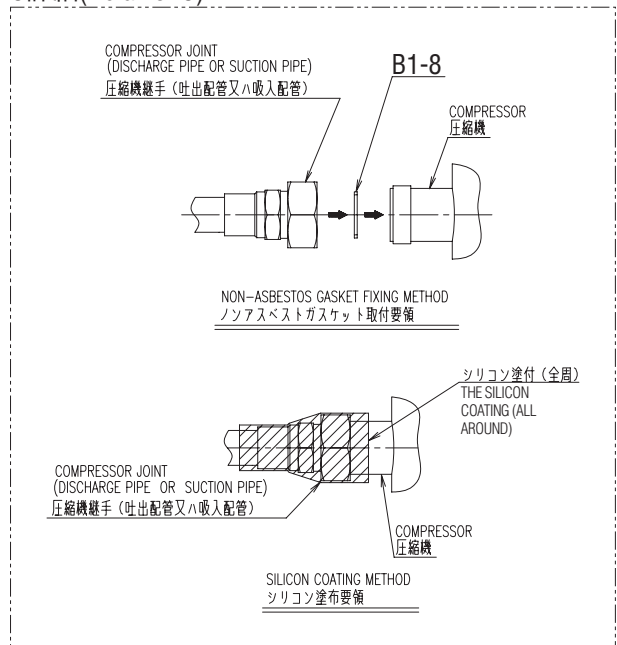
Other parts(Pipe clamp, sealing and insulation material etc.)
 その他部品 (配管固定具、シール材、防熱材等)



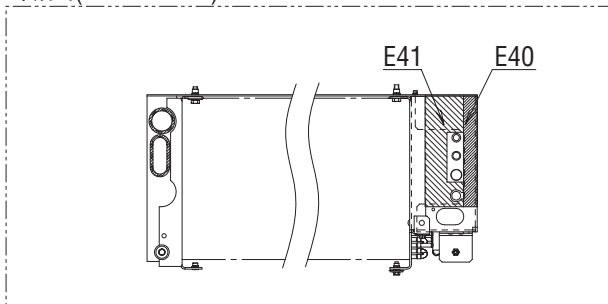
A詳細(Detail of A)



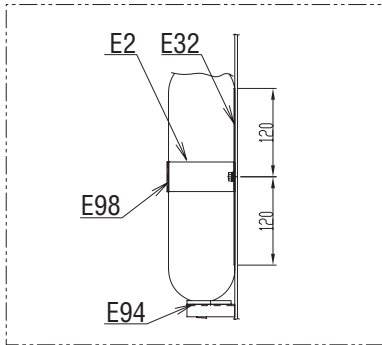
C詳細(Detail of C)



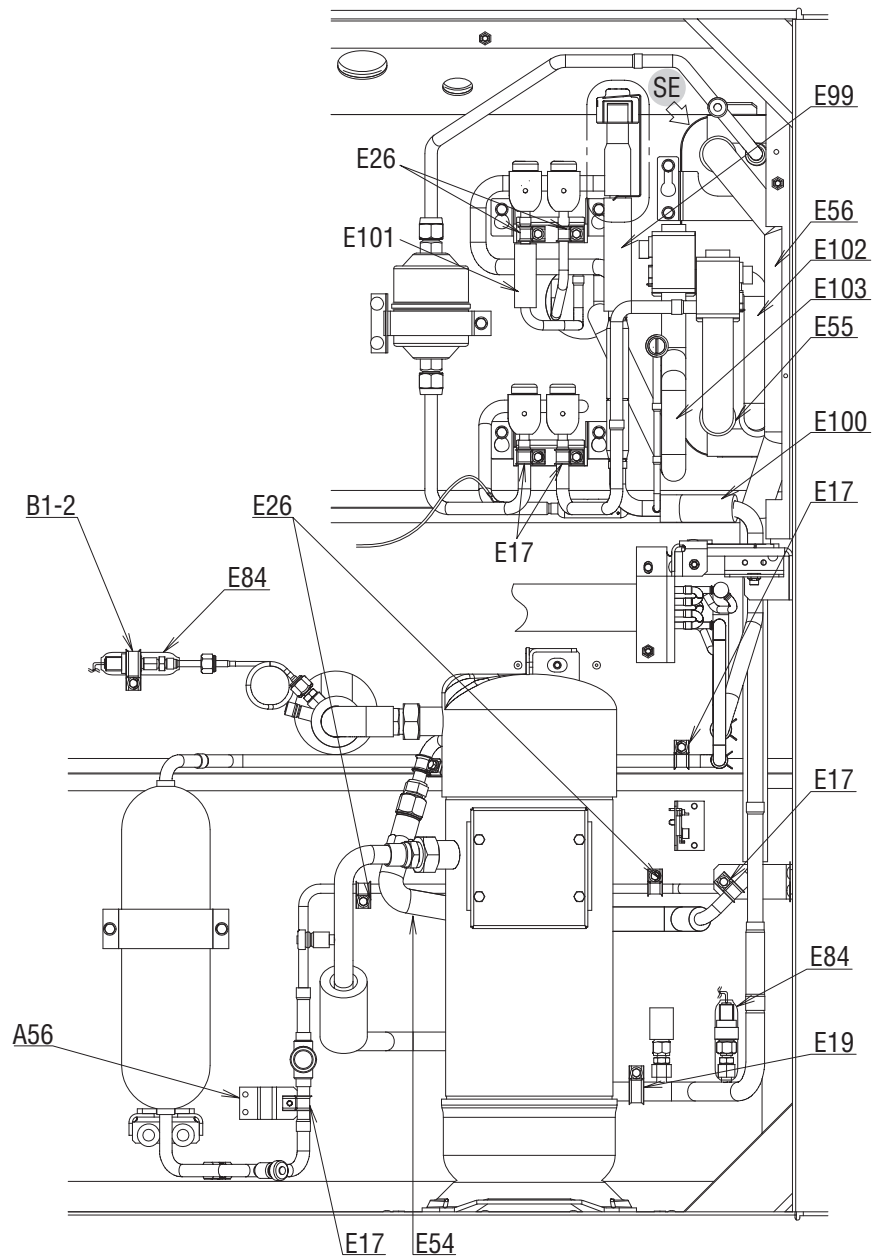
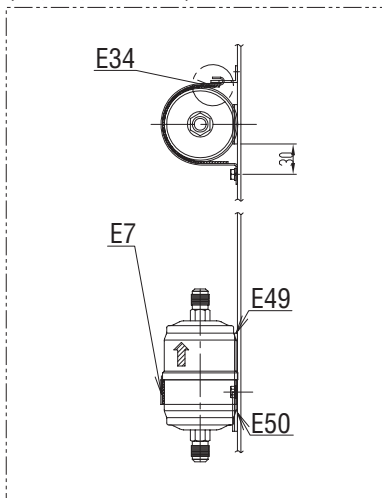
B断面(Section of B)



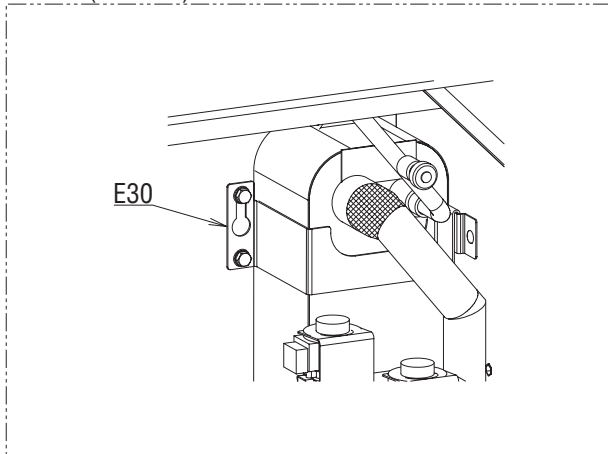
受液機器部詳細
 (Receive part detail)



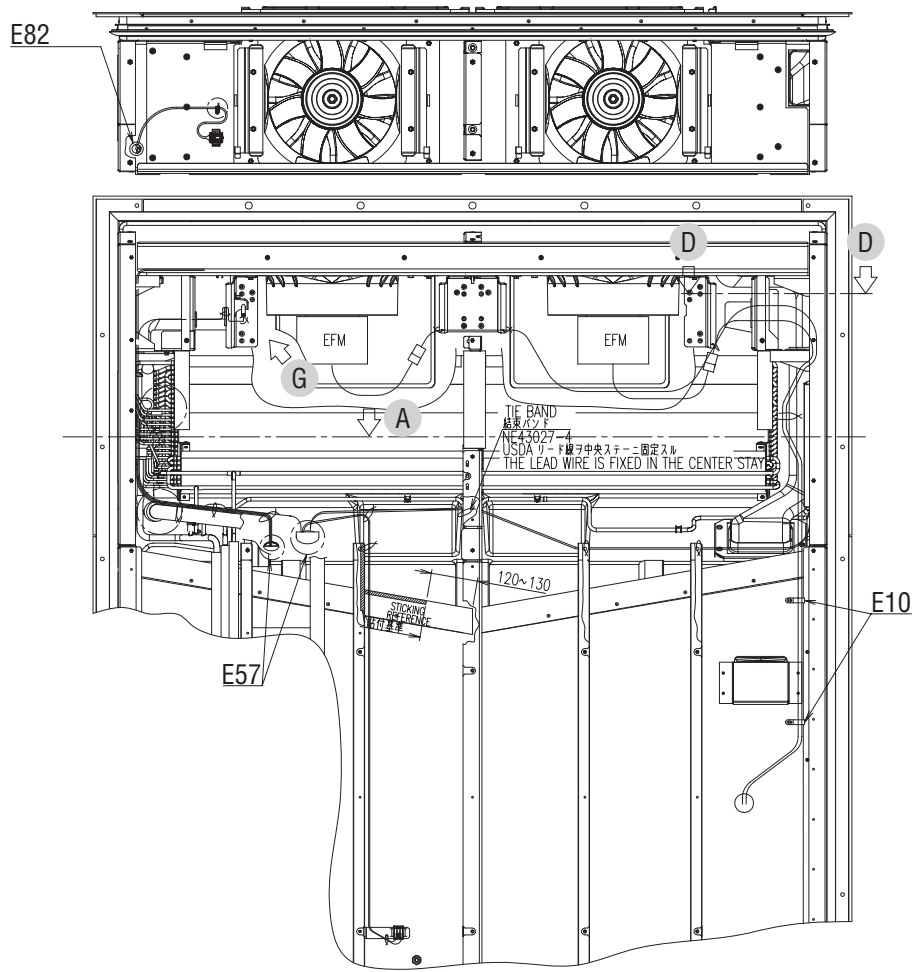
ドライヤー部詳細
 (Dryer part detail)



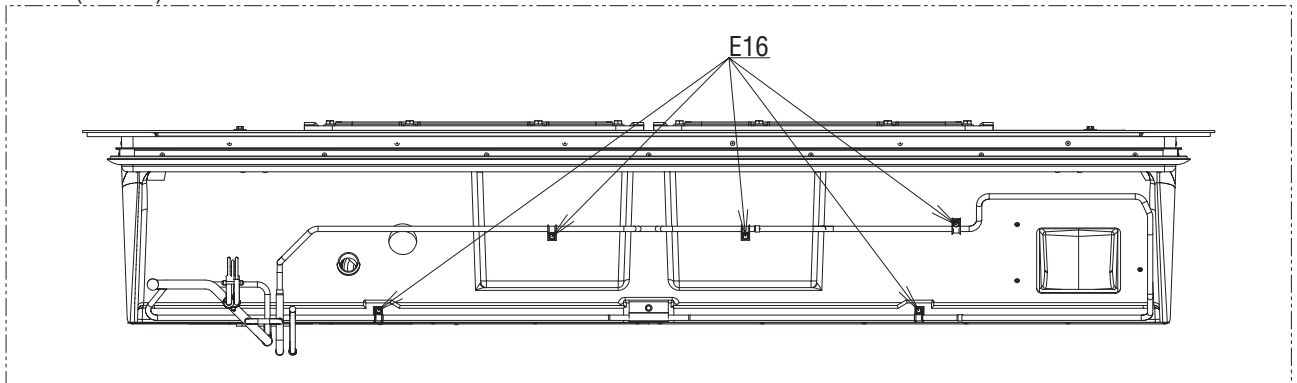
矢視SE(View SE)



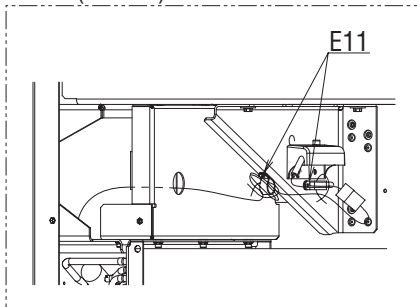
Other parts(Pipe clamp, sealing and insulation material etc.)
 その他部品 (配管固定具、シール材、防熱材等)



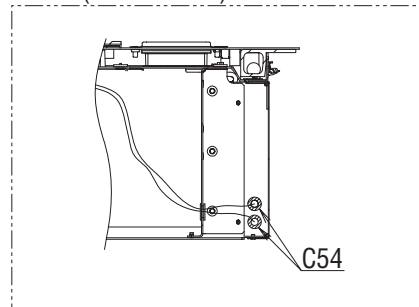
矢視A(View A)



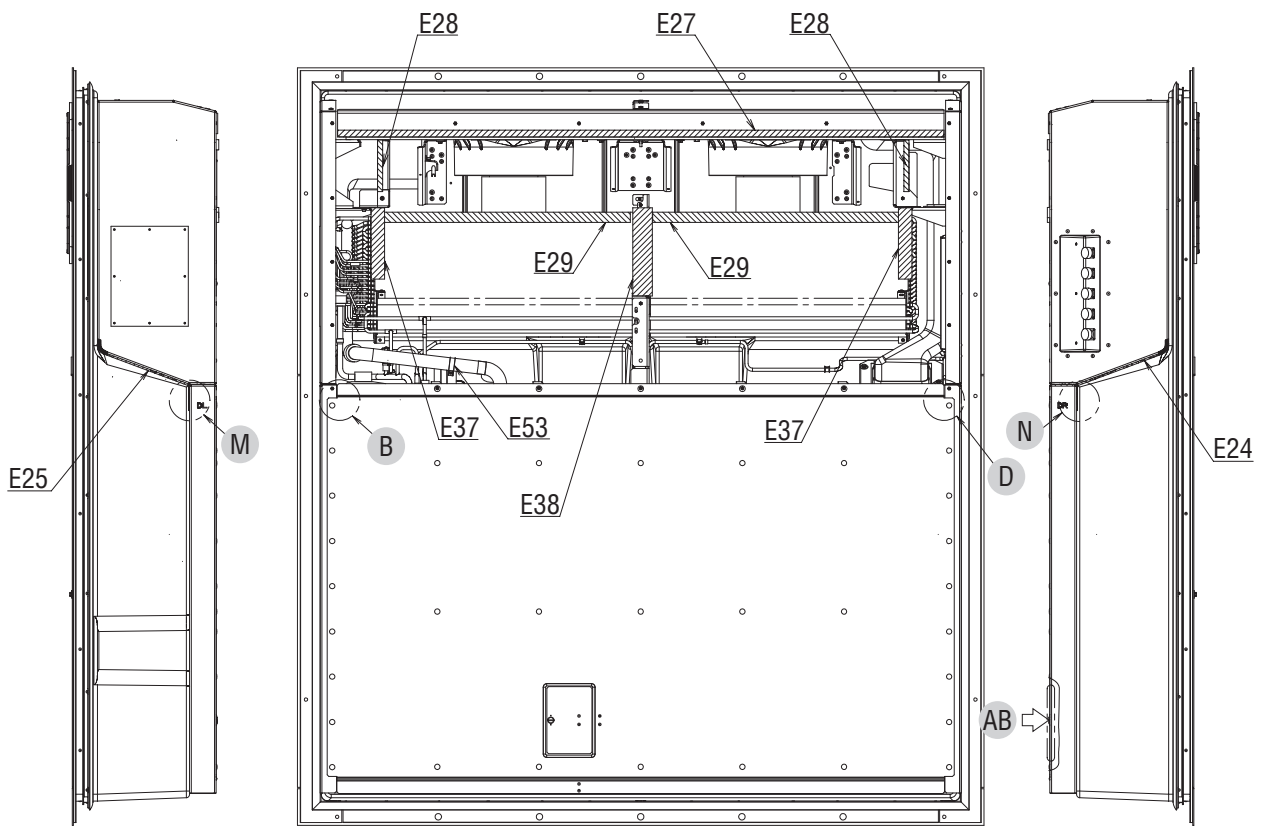
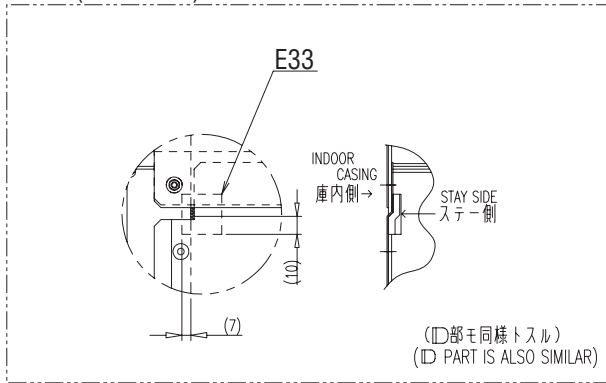
矢視G(View G)



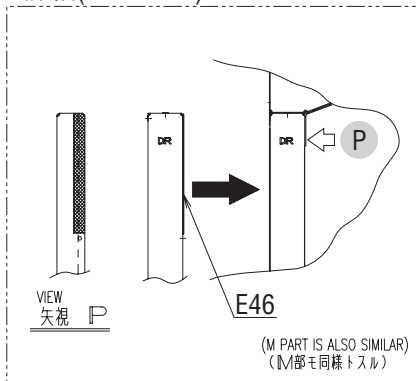
D断面(Section of D)



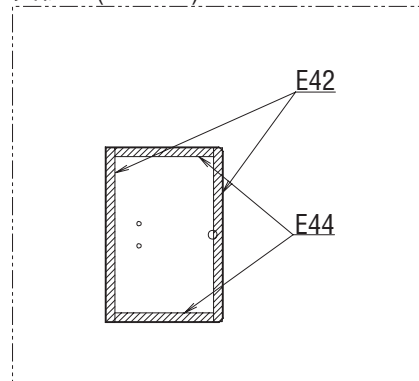
B詳細(Detail of B)



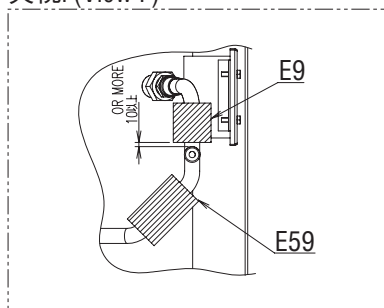
N詳細(Detail of N)



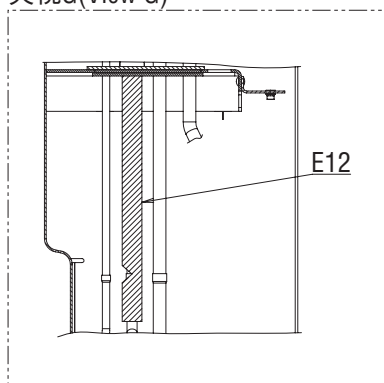
矢視AB(View AB)



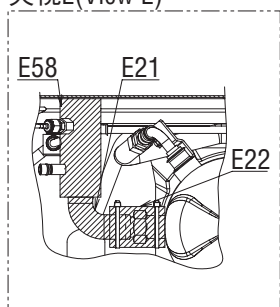
矢視F(View F)



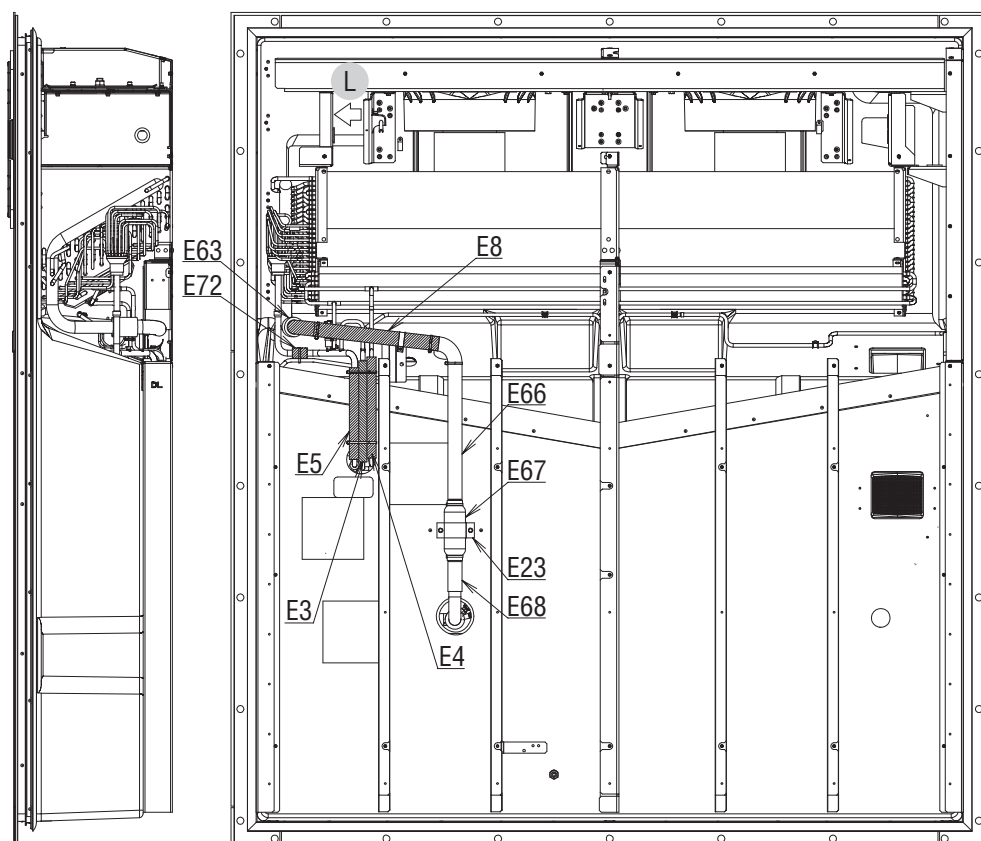
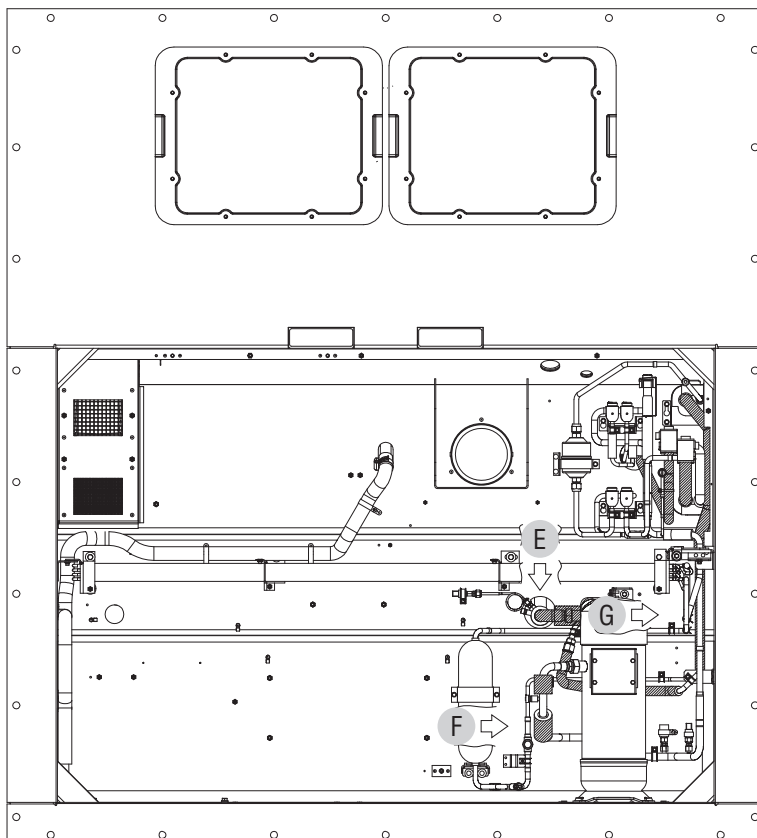
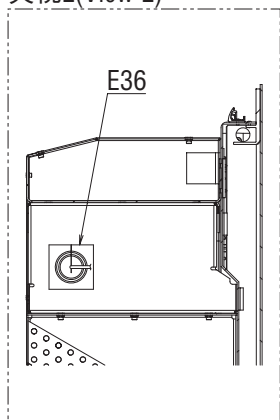
矢視G(View G)



矢視E(View E)



矢視L(View L)



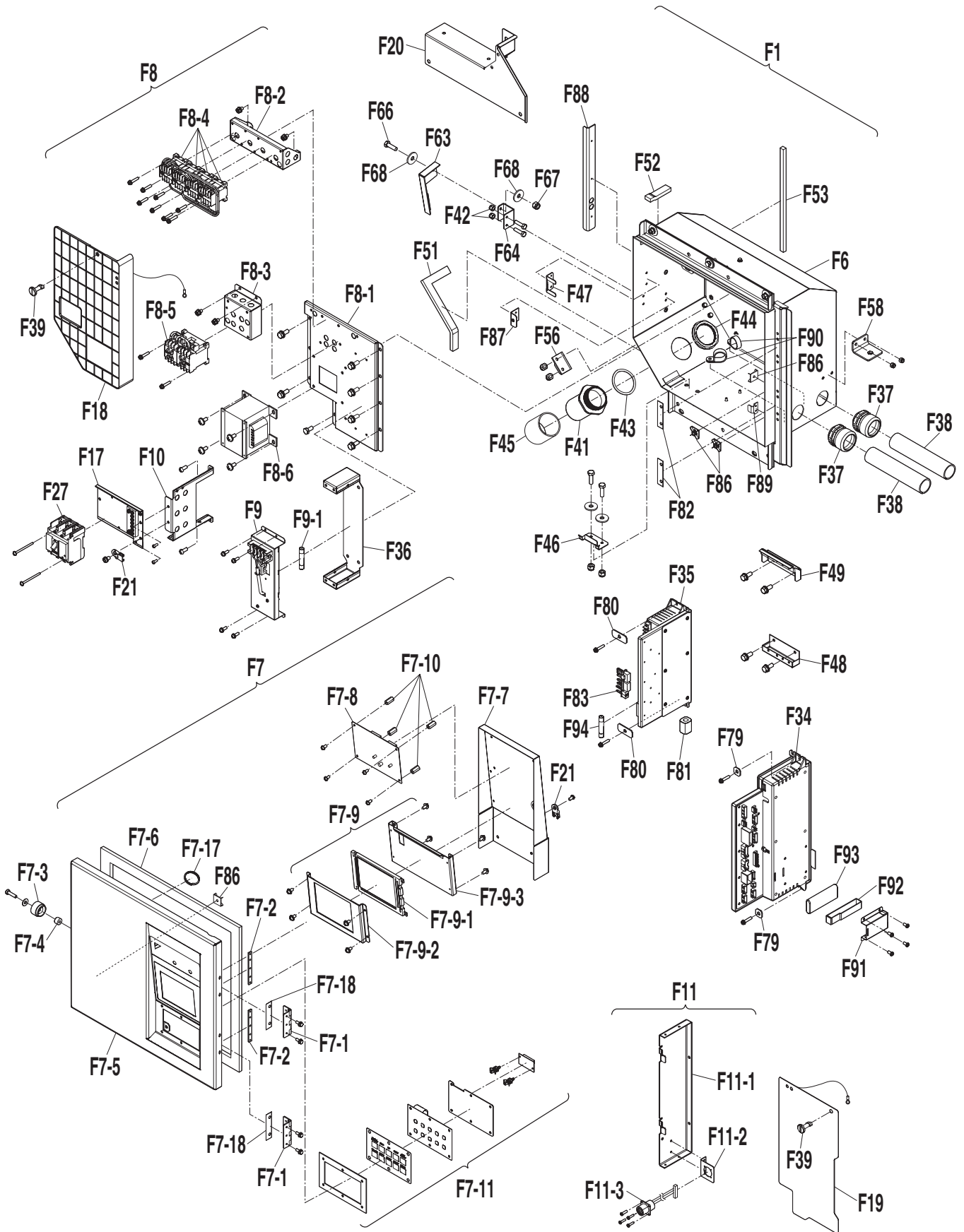
Other parts(Pipe clamp, sealing and insulation material etc.)
 その他部品 (配管固定具、シール材、防熱材等)

| NO. 符号 | INDEX | PARTS NO. 部品番号 | PARTS NAME | 部品名称 | DWG. NO. 図面番号 | TYPE SPECIFICATION 形式 仕様 | QTY/UNIT 所要数/1台 LX10F15A2 | REMARKS 備考 |
|-----------|-------|-------------------|----------------------------------|-------------------------|------------------|-----------------------------|---------------------------------|-----------------|
| E2 | | 1266702 | Fixture plate, receiver | レシーバー固定具 | 4P011318-2 | | 1 | Refer to P.19 |
| E3 | | | Thermal insulation tube | ドレンパン配管 (1) 防露筒 | 3P292384-1 | | 1 | Refer to P.22 |
| E4 | | | Thermal insulation tube | R S V-レヒート連絡配管防露筒 | 3P292384-2 | | 1 | Refer to P.22 |
| E5 | | | Thermal insulation tube | プレート熱交/ドレンパン-蒸発器連絡配管防露筒 | 3P292384-3 | | 1 | Refer to P.22 |
| E7 | | 2094931 | Fitting band, dryer | 取付バンド (ドライヤ) | 4P292920-2 | | 1 | Refer to P.19 |
| E8 | | | Suction pipe thermal insulation | 吸入配管断熱材 (3) | 4P290384-3 | | 1 | Refer to P.22 |
| E9 | | | Thermal insulation tube | 吐出配管用防露筒 | 4P297090-2 | | 1 | Refer to P.22 |
| E10 | | 122276J | Resin clamp | 樹脂製止め金 | NE41015-9 | | 2 | Refer to P.20 |
| E11 | | 0944528 | Resin clamp | 樹脂製止め金 | NE41015-7 | NK-12N | 2 | Refer to P.20 |
| E12 | | | Injection pipe(1) | インジェクション配管防露筒(1) | 3P292364-1 | | 1 | Refer to P.22 |
| E13 | | 1266788 | Resin clamp | 樹脂バンド | NE41015-12 | | 7 | Refer to P.4,18 |
| E16 | | 2094948 | Tube clamp | 管止金 | 3P289146-51 | | 5 | Refer to P.20 |
| E17 | | 1584208 | Nylon coating tube clamp | ナイロンコーティング管止金 | 4P143802-52 | | 5 | Refer to P.19 |
| E19 | | 1266810 | Tube clamp | 管止金 | NE31016-57 | | 1 | Refer to P.19 |
| E20 | | 380043 | Resin clamp | 樹脂バンド | NE41015-5 | NK-8N | 1 | Refer to P.12 |
| E21 | | | Suction pipe thermal insulation | 吸入配管防露筒 (2) | 4P292363-2 | | 1 | Refer to P.22 |
| E22 | | | Suction pipe thermal insulation | 吸入配管防露筒 (3) | 4P304794-1 | | 1 | Refer to P.22 |
| E23 | | 1266827 | Fixing plate, filter | フィルタ固定具 | 4P071794-1 | | 1 | Refer to P.22 |
| E24 | | 2094955 | Packing(side stay) | パッキン (サイドステー) | 4P205492-1 | | 1 | Refer to P.21 |
| E25 | | 2094962 | Packing(side stay) | パッキン (サイドステー) | 4P205492-2 | | 1 | Refer to P.21 |
| E26 | | 1584215 | Nylon coating tube clamp | ナイロンコーティング管止金 | 4P143802-51 | | 4 | Refer to P.19 |
| E27 | | 2094979 | Fan guide packing | ファンガイドパッキン | 3P301218-1 | | 1 | Refer to P.21 |
| E28 | | 2094986 | Fan guide mounting plate packing | ファンガイド取付板パッキン(左右) | 3P301218-2 | | 2 | Refer to P.21 |
| E29 | | 2094993 | CRB fin packing | 蒸発器フィンパッキン | 3P292212-10 | | 2 | Refer to P.21 |
| E30 | | 2095004 | PHE fixing band | プレート熱交取付バンド | 4P302200-2 | | 1 | Refer to P.19 |
| E32 | | 1266889 | Cushion rubber, pipe clamp | 緩衝ゴム | 4P064896-1 | | 2 | Refer to P.19 |
| E33 | | 1632145 | Packing | パッキン (裏板下: 2) | 4P154313-1 | | 2 | Refer to P.21 |
| E34 | | 1270446 | Dryer cushion rubber | ドライヤ緩衝ゴム | 4PA53083-2 | | 1 | Refer to P.19 |
| E35 | | 2095011 | Access panel packing | サービス扉パッキン | 3P292212-9 | | 2 | Refer to P. 4 |
| E36 | | 2095028 | Humidity sensor cable packing | 湿度センサケーブル貫通部パッキン | 3P292212-7 | | 1 | Refer to P.22 |
| E37 | | 1266935 | Packing(for evaporator) | パッキン (蒸発器) | 4P063465-1 | | 2 | Refer to P.21 |
| E38 | | 1266942 | Packing(for evaporator) | パッキン (蒸発器) | 4P063465-2 | | 1 | Refer to P.21 |
| E40 | | 2095035 | CA stand rubber bush(1) | C A 仮置台ゴムブッシュ (1) | 4P305140-1 | | 1 | Refer to P.18 |
| E41 | | 2095042 | CA stand rubber bush(2) | C A 仮置台ゴムブッシュ (2) | 4P305140-2 | | 1 | Refer to P.18 |
| E42 | | 1624290 | Supply sensor cover sealing | シール材 (1) | 4P154324-1 | サブライセンサ点検蓋 | 2 | Refer to P.21 |
| E44 | | 1624308 | Supply sensor cover sealing | シール材 (2) | 4P154324-2 | サブライセンサ点検蓋 | 2 | Refer to P.21 |
| E46 | | 2075815 | Side stay packing | サイドステーパッキン | 4P095033-3 | | 2 | Refer to P.21 |
| E49 | | 2095059 | Cushion rubber (1) | 緩衝ゴム (1) | 4P292923-1 | | 1 | Refer to P.19 |
| E50 | | 2095066 | Cushion rubber (2) | 緩衝ゴム (2) | 4P292923-2 | | 1 | Refer to P.19 |
| E52 | | | INV-BOX insulation tube | I N V B O X 防露筒 | 4P073525-3 | | 3 | Refer to P.18 |

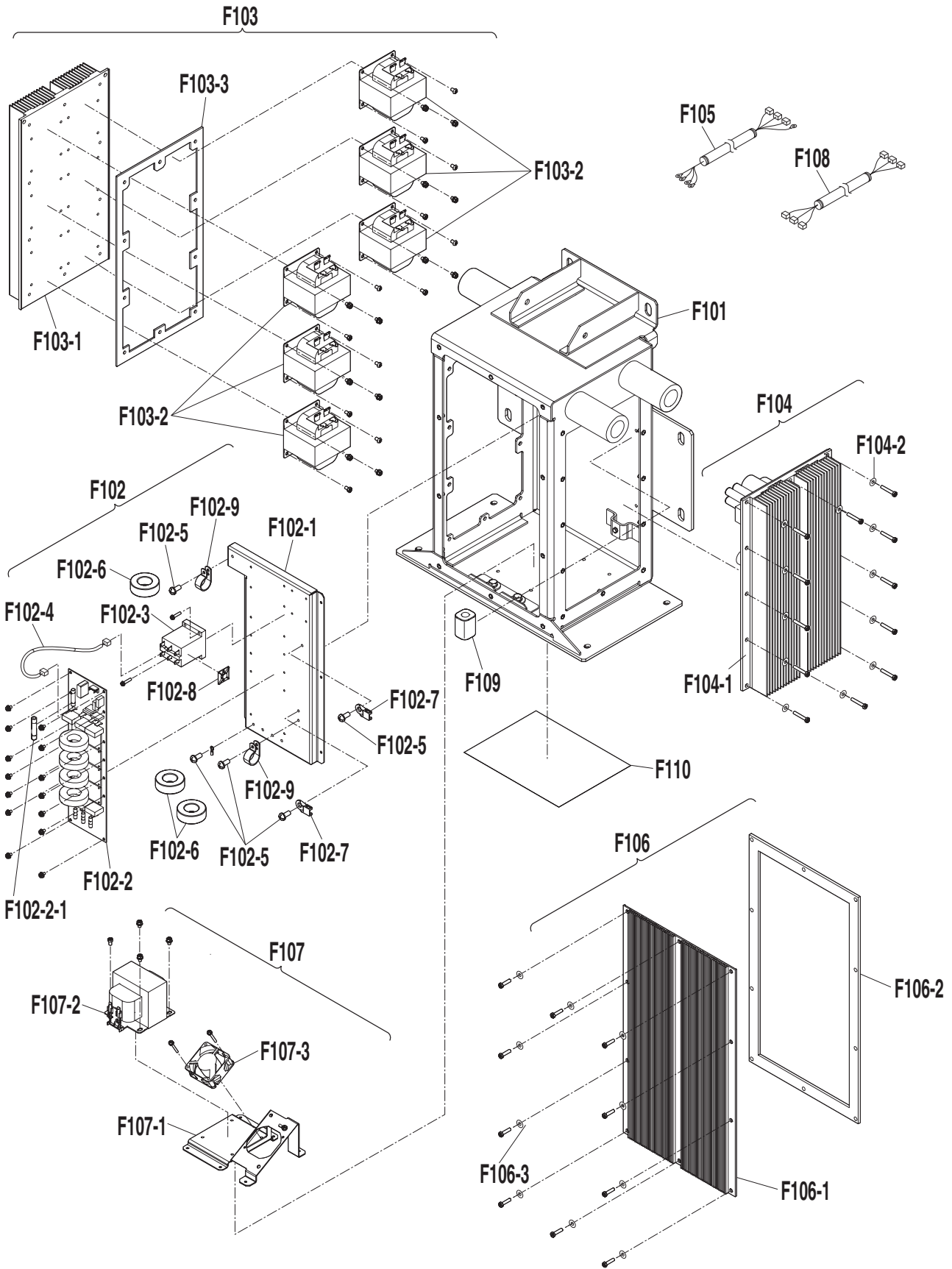
Other parts(Pipe clamp, sealing and insulation material etc.)

その他部品 (配管固定具、シール材、防熱材等)

| NO. 符号 | INDEX | PARTS NO. 部品番号 | PARTS NAME | 部品名称 | DWG. NO. 図面番号 | TYPE SPECIFICATION 形式 仕様 | QTY/UNIT 所要数/1台 LX10F15A2 | REMARKS 備考 |
|-----------|-------|-------------------|---|---------------------|------------------|-----------------------------|---------------------------------|------------------|
| E53 | | 2095073 | Tube clamp | 管止金 | 3P289146-64 | | 1 | Refer to P.21 |
| E54 | | | Injection pipe(2) | インジェクション配管防露筒(2) | 3P292364-2 | | 1 | Refer to P.19 |
| E55 | | | PHE pipe(middle)(1) | プレート熱交配管防露筒(中間)(1) | 3P292466-3 | | 1 | Refer to P.19 |
| E56 | | | PHE pipe(middle)(2) | プレート熱交配管防露筒(中間)(2) | 3P292466-4 | | 1 | Refer to P.19 |
| E57 | | 1267091 | Wiring protection bush | 配線保護ブッシュ | 4P023920-1 | | 2 | Refer to P.12,20 |
| E58 | | | Suction pipe thermal insulation | 吸入配管防露筒(1) | 4P292363-1 | | 1 | Refer to P.22 |
| E59 | | | Thermal insulation tube | D C H S 1 用防露筒 | 4P297090-1 | | 1 | Refer to P.22 |
| E60 | | 1267293 | Thermal insulation tube | 断熱筒配管緩衝材 | 4P011309-4 | | 1 | Refer to P.16 |
| E63 | | | CRB-header insulation tube | C R B ヘッダー防露筒 | 4P073525-2 | | 1 | Refer to P.16,22 |
| E66 | | | Suction pipe thermal insulation | 吸入配管断熱材(1) | 4P290384-1 | | 1 | Refer to P.22 |
| E67 | | 1584378 | Suction pipe | 吸入配管断熱材 | 4P140007-1 | | 1 | Refer to P.22 |
| E68 | | | Suction pipe thermal insulation | 吸入配管断熱材(2) | 4P290384-2 | | 1 | Refer to P.22 |
| E72 | | 1267286 | Thermal insulation tube | 断熱筒配管緩衝材 | 4P011309-3 | | 1 | Refer to P.22 |
| E82 | | 1267370 | Rubber bush | ゴムブッシュ | R3713279-2 | | 1 | Refer to P.12,20 |
| E84 | B | 1605509 | Heat shrinkable tube | 熱収縮チューブ | 4P151322-1 | BLACK I.D. φ26.6,t0.4 | 2 | Refer to P.19 |
| E94 | | 1917822 | Cushion rubber for receiver support plate | レシーバ支持板緩衝ゴム | 4P138293-2 | | 1 | Refer to P.19 |
| E95 | | 2041348 | Packing for prevention of air bypass for CA | C A バイパス防止パッキン(4) | 4P264681-4 | | 1 | Refer to P. 4 |
| E96 | | 2041355 | Packing for prevention of air bypass for CA | C A バイパス防止パッキン(5) | 4P264681-5 | | 1 | Refer to P. 4 |
| E97 | | 2041362 | Packing for prevention of air bypass for CA | C A バイパス防止パッキン(6) | 4P264681-6 | | 1 | Refer to P. 4 |
| E98 | | 1837197 | Cushion rubber, refrigerant regulator | 冷媒調節器緩衝ゴム | 4PA53083-3 | | 1 | Refer to P.19 |
| E99 | | | DMV pipe(1) | DMV 配管防露筒(1) | 3P292625-1 | | 1 | Refer to P.19 |
| E100 | | | DMV pipe(2) | DMV 配管防露筒(2) | 3P292625-2 | | 1 | Refer to P.19 |
| E101 | | | HSV outlet pipe | H S V 出口配管防露筒 | 4P292375-1 | | 1 | Refer to P.19 |
| E102 | | | PHE pipe(main)(1) | プレート熱交配管防露筒(メイン)(1) | 3P292466-1 | | 1 | Refer to P.19 |
| E103 | | | PHE pipe(main)(2) | プレート熱交配管防露筒(メイン)(2) | 3P292466-2 | | 1 | Refer to P.19 |
| A56 | | 2094195 | Liquid receiver pipe fixing plate | 受液器配管取付板組立品 | 4P303699-1 | | 1 | Refer to P.19 |
| B1-2 | | 1592425 | Tube clamp | 管止金 | NE31016-58 | | 2 | Refer to P.19 |
| B1-8 | | 2094234 | Packing/discharge end cover | ノンアスベストガスケット | 4P297257-1 | | 2 | Refer to P.18 |
| C54 | | 1267356 | Rubber bush | ゴムブッシュ | R3713279-4 | | 3 | Refer to P.20 |
| | | | | | | | | |
| | | | | | | | | |
| | | | | | | | | |
| | | | | | | | | |
| | | | | | | | | |
| | | | | | | | | |
| | | | | | | | | |
| | | | | | | | | |
| | | | | | | | | |
| | | | | | | | | |
| | | | | | | | | |
| | | | | | | | | |



F111



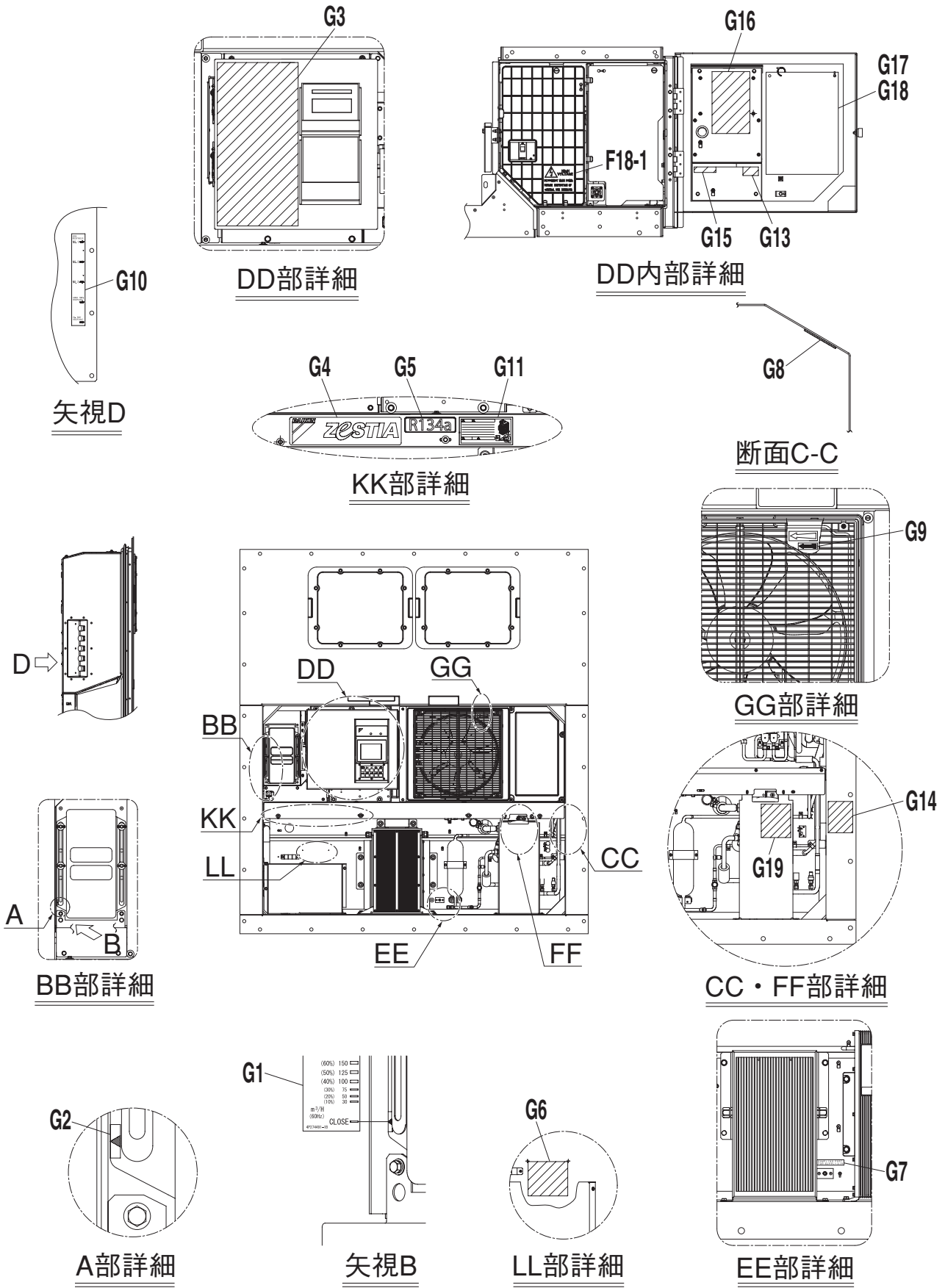
Control box
コントローラボックス

| NO. 符号 | INDEX | PARTS NO. 部品番号 | PARTS NAME | 部品名称 | DWG. NO. 図面番号 | TYPE SPECIFICATION 形式 仕様 | QTY/UNIT 所要数/1台 LX10F15A2 | REMARKS 備考 |
|-----------|-------|-------------------|--|---------------------------|------------------|-----------------------------|---------------------------------|---------------|
| F1 | | | Control Box ass'y | コントロールボックス組立品 | 2P292171-2 | | 1 | |
| F6 | | 2095080 | Control Box Nut ass'y | コントロールボックスナット組立品 | 2P292200-1 | | 1 | |
| F7 | | 2086079 | C.BOX cover ass'y | コントロールボックス蓋組立品 | 2P290915-1 | | 1 | Refer to P.36 |
| F7-1 | C | 1136407 | Hinge(control/box cover) | 平蝶番(コントロールボックス蓋) | 4P021346-1 | | 2 | |
| F7-2 | | 1136414 | Patch plate nut | 当板ナット | 4P044898-2 | | 2 | |
| F7-3 | | 1938968 | Roller | ワンタッチ金具用ローラ | 3P054321-2 | | 1 | |
| F7-4 | | 1780309 | Bushing | ワンタッチ金具ローラ用ブッシュ | 4P171668-2 | | 1 | |
| F7-5 | | 2095097 | Control Box cover welding ass'y | コントロールボックス蓋溶接組立品 | 3P290909-1 | | 1 | |
| F7-6 | | 2095105 | Rubber gasket | ゴムガスケット (C. BOX蓋用パッキン) | 4P247645-1 | | 1 | |
| F7-7 | | 2095112 | Display board mounting plate | 表示基板取付板 | 3P290911-1 | | 1 | |
| F7-8 | | 2086093 | Printed circuit ass'y (Operation Board) | プリント基板組立品(操作ボード) | 2P270675-1 | EC09002 | 1 | |
| F7-9 | | | LCD ass'y | L C D組立品 | 3P292057-1 | | 1 | |
| F7-9-1 | | 2086101 | LCD Board ass'y | L C Dボード組立品 | 4P291831-1 | | 1 | |
| F7-9-2 | | 2095129 | LCD Board upper mounting plate ass'y | L C Dボード上部取付板組立品 | 4P291832-1 | | 1 | |
| F7-9-3 | | 2095136 | LCD Board lower mounting plate ass'y | L C Dボード下部取付板組立品 | 4P291830-1 | | 1 | |
| F7-10 | | 2095143 | Spacer(LCD) | スペーサー (L C D) | 4P250387-1 | | 4 | |
| F7-11 | | 2086086 | Switch ass'y | スイッチ組立品 | 3P291876-1 | | 1 | |
| F7-17 | | 1295623 | Fixture(instruction ring) | 固定具(インストラクションリング) | 4P064698-1 | Wire diameter | 1 | |
| F7-18 | | 2095198 | Insulation sheet | 絶縁シート(コントロールボックス用) | 4P272615-1 | | 2 | |
| F8 | | | Control Box Magnetic contactor ass'y | コントロールボックス電磁接触器組立品 | 3P296988-1 | | 1 | |
| F8-1 | | 2095206 | MG mounting plate(PCC1.2/Tr) | 電磁接触器取付板(P C C 1・2/T r) | 3P296989-1 | | 1 | |
| F8-2 | | 2095213 | MG mounting plate(CFH.L/EFH.L) | 電磁接触器取付板(C F H・L/E F H・L) | 3P296990-1 | | 1 | |
| F8-3 | | 2095220 | Magnet switch set plate (2) | マグネットスイッチ取付台(2) | 4P257571-1 | | 1 | |
| F8-4 | A | 119893J | Magnetic contactor(for Fans) | 電磁接触器 (ファン用) | 3P055568-1 | 24V PAK-6J31C | 4 | |
| F8-5 | | 1198924 | Magnetic contactor(PCC1,2) | 電磁接触器 (P C C 1, 2) | 3P055567-1 | | 1 | RSK11J |
| F8-6 | C | 1562796 | Low frequency transformer | 低周波変圧器 | 3P139293-1 | | 1 | |
| F9 | | 2086055 | Printed circuit ass'y(PT/CT Board) | プリント基板組立品 (PT/CTボード) | 2P270676-1 | EC09003 | 1 | |
| F9-1 | | 2088695 | Fuse(PT/CT Board) | 電流ヒューズ (PT/CTボード用) | 3P298676-1 | | 1 | |
| F10 | | 2095237 | Breaker board with filament tape | ブレーカボードフィラメントテープ取付品 | 4P294974-1 | | 1 | |
| F11 | | | C.BOX stay ass'y | C. B O Xステー組立品 | 3P302339-1 | | 1 | |
| F11-1 | | 2095244 | C.BOX stay | C. B O Xステー | 3P297008-1 | | 1 | |
| F11-2 | | 2095251 | PC port fixing plate | パソコンポート固定板 | 4P301536-1 | | 1 | OPTION |
| F11-3 | | 2095268 | Wire harness(PPR1,5pin) | ワイヤハーネス (P P R 1、5極) | 3P250289-2 | | 1 | OPTION |
| F17 | | 2095275 | Breaker plate | ブレーカ取付板 | 4P296993-1 | | 1 | |
| F18 | | 2095282 | Breaker front plate ass'y | ブレーカ前板組立品 | 3P258175-1 | | 1 | |
| F18-1 | | 1894455 | Caution label, high voltage | 高電圧注意銘板 | 4P225277-1 | English | 1 | Refer to P.32 |
| F19 | | 2095321 | Blind plate(right) ass'y | 樹脂カバー (右) 組立品 | 3P302266-1 | | 1 | OPTION |
| F20 | | 2095338 | PC port fixing plate ass'y | パソコンポート固定板組立品 | 3P302323-2 | | 1 | OPTION |
| F21 | | 388339J | Lock metal | 固定具 | 4PA11782-1 | M4×8 | 2 | |
| F27 | | 2086062 | Earth leakage circuit breaker | 漏電遮断器 | 3P272543-30 | EW32SAG-3P030KZ3-0 | 1 | |

| NO. 符号 | INDEX | PARTS NO. 部品番号 | PARTS NAME | 部品名称 | DWG. NO. 図面番号 | TYPE SPECIFICATION 形式 仕様 | QTY/UNIT 所要数/1台 LX10F15A2 | REMARKS 備考 |
|-----------|-------|-------------------|------------------------------------|--------------------|------------------|-----------------------------|---------------------------------|---------------|
| F34 | | 2086024 | Controller ass'y(CPU) | コントローラ組立品(制御基板) | 3P263134-1 | | 1 | |
| F35 | | 2086048 | Controller ass'y(I/O Board) | コントローラ組立品(I/Oボード) | 4P302340-1 | | 1 | |
| F36 | | 2095345 | Modem mounting plate | モデム取付板フィラメントテープ取付品 | 4P294975-1 | | 1 | |
| F37 | | 1635346 | Wire ground, flexible tube | 樹脂製フレキシブル管用グラウンド | 4P157387-1 | | 2 | |
| F38 | | 1635353 | Flexible tube(resin) | 樹脂製フレキシブル管 | 4P157410-1 | | 2 | |
| F39 | | 1267666 | Quick fastener | クイックファスナー | 4P064642-1 | | 2 | |
| F41 | | 2130565 | Flexible tube(resin) | コンジット管 | 3P319889-1 | | 1 | |
| F42 | | 0322072 | Nylon nut | ナイロンナット | R4716460-2 | M5 | 2 | |
| F43 | | 1985863 | Packing | パッキン | 3P208689-1 | | 1 | |
| F44 | | 2130558 | Lock nut | ロックナット | 3P319890-1 | | 1 | |
| F45 | | 2095352 | Flexible tube packing | コンジット管パッキン | 4P303733-1 | | 1 | |
| F46 | | 2095369 | Mounting plate for breaker (2) | ブレーカ前板取付板(2) | 4P257576-1 | | 1 | |
| F47 | | 2095376 | Support plate (left) | 樹脂カバー左取付板 | 4P257574-1 | | 1 | |
| F48 | | 2095383 | P-BOX mounting plate(1) | P-BOX取付板(1) | 4P250328-1 | | 1 | |
| F49 | | 2095390 | P-BOX mounting plate ass'y(2) | P-BOX取付板組立品(2) | 4P304752-1 | | 1 | |
| F51 | | 2095408 | C-BOX left packing | C-BOX左パッキン | 4P292130-1 | | 1 | |
| F52 | | 2095453 | C-BOX top packing | C-BOX上パッキン | 4P292130-2 | | 1 | |
| F53 | | 2095460 | C-BOX left packing(2) | C-BOX左パッキン(2) | 4P292130-3 | | 1 | |
| F56 | | 2095477 | Mounting plate,control devices (1) | 電装品取付板(1) | 4P302234-1 | | 1 | |
| F58 | | 2095484 | Mounting plate,control devices (2) | 電装品取付板(2) | 4P302233-1 | | 1 | |
| F63 | | 2052153 | Lever | ワンタッチ金具 | 4P085171-2 | | 1 | |
| F64 | | 2095491 | Mounting plate for lever | ワンタッチ金具取付板取付板 | 4P212541-2 | | 1 | |
| F66 | | 2095509 | Hexagon head bolt | 六角ボルト | 4P281216-20 | M6 | 1 | |
| F67 | | 833301 | Nylon nut | ナイロンナット | R4716460-3 | M6 | 1 | |
| F68 | | 844015S | Plain washer | 平座金 | 4SK07005-6 | M6 SUS | 2 | |
| F72 | | 2091514 | HU sensor | 湿度センサ | 3P204826-3 | | 1 | Refer to P.12 |
| F79 | | 2095516 | Patch plate(CPU side) | 当板(CPU側) | 4P305122-1 | | 2 | |
| F80 | | 2095523 | Patch plate(I/O side) | 当板(I/O側) | 4P305122-2 | | 2 | |
| F81 | | 2057211 | Ferrite, core filter | フェライトコアフィルタ | 3P263838-1 | | 1 | |
| F82 | | 2095198 | Insulation sheet | 絶縁シート(コントロールボックス用) | 4P272615-1 | | 2 | |
| F83 | | 2095530 | Short circuit ass'y | 短絡コネクタ組立品(タイラップ接続) | 3P302964-1 | | 1 | |
| F86 | | 2057608 | Wire clamp material | 固定具(粘着テープ付) | 3P217195-1 | | 3 | |
| F87 | | 2095547 | Breaker board mounting plate | ブレーカボード取付板組立品 | 4P305641-1 | | 1 | |
| F88 | | 2095554 | C.BOX patch plate painted | C. BOX当板塗装品 | 4P305642-1 | | 1 | |
| F89 | | 2095561 | Resin cover patch plate painted | 樹脂カバー当板塗装品 | 4P305643-1 | | 1 | |
| F90 | | 1266788 | Resin clamp | 樹脂バンド | NE41015-12 | | 2 | |
| F91 | | 2095578 | NiCd battery cover ass'y | NiCdバッテリーカバー組立品 | 4P250976-2 | | 1 | |
| F92 | | 2095585 | Magic tape | マジックテープ | 4P250970-1 | | 1 | |
| F93 | | 2086031 | Battery | 電池 | 3P302165-1 | | 1 | |
| F94 | | 1896103 | Fuse | 電流ヒューズ | 3P226083-1 | 10A 250V | 1 | |

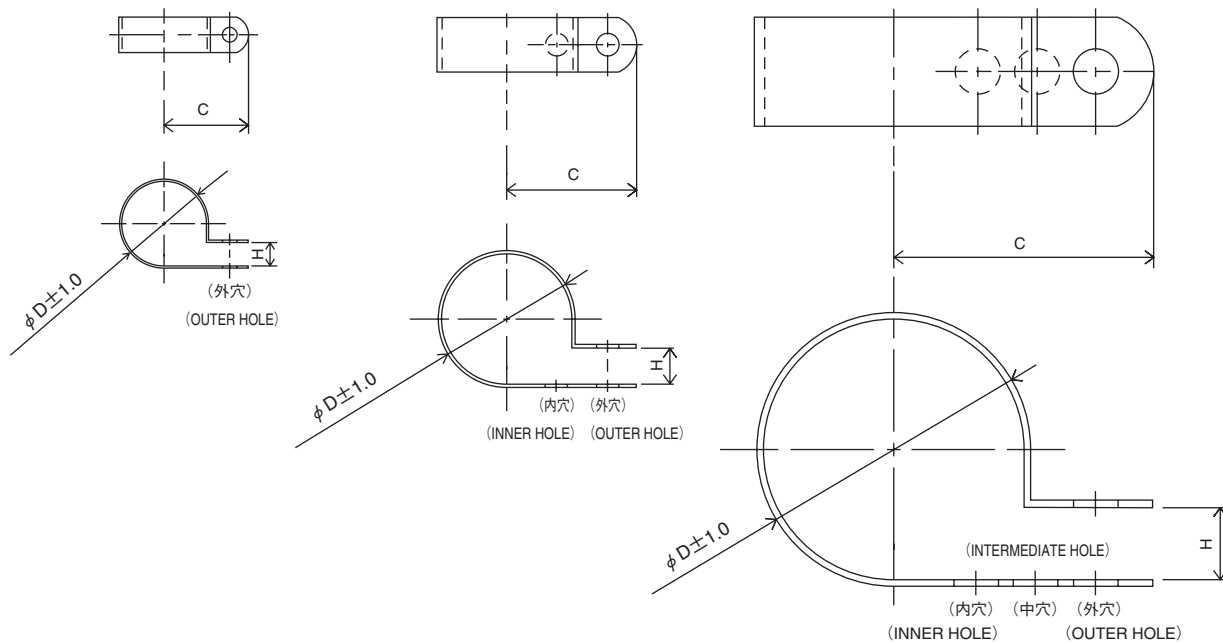
Control box
コントローラボックス

| NO. 符号 | INDEX | PARTS NO. 部品番号 | PARTS NAME 部品名称 | DWG. NO. 図面番号 | TYPE SPECIFICATION 形式 仕様 | QTY/UNIT 所要数/1台 LX10F15A2 | REMARKS 備考 |
|-----------|-------|-------------------|--|-----------------------|-----------------------------|---------------------------------|---------------|
| F101 | | | El.compo.ass'y | 電装品組立品 | 3P298038-1 | 1 | |
| F102 | | | Electric components ass'y (Inverter Noise Filter Board ass'y) | 電装品組立品(ノイズフィルタボード組立品) | 2P286635-1 | 1 | |
| F102-1 | | 2095592 | Inverter Noise Filter Board mounting plate | ノイズフィルタボード取付板 | 3P286636-1 | 1 | |
| F102-2 | | 2086125 | Printed circuit ass'y (Inverter Noise Filter Board) | プリント基板組立品(ノイズフィルタボード) | 2P273036-1 | 1 | |
| F102-2-1 | | 2088695 | Fuse | ヒューズ | 3P298676-1 | 1 | F8U |
| F102-3 | | 2086132 | Magnetic contactor(MC) | 電磁接触器 (MC) | 3P277395-5 | 1 | CLK-25JF2DC |
| F102-4 | | | Wire harness(INV BOX) | ワイヤハーネス(インバータボックス) | 2P289802-5 | 1 | |
| F102-5 | | 2057590 | Pan head screw with washer | パネ座金組込ミ十字穴付キナベ小ネジ | 4P198921-12 | 5 | M5 |
| F102-6 | C | | Line filter | フェライトコアフィルタ | 3PA56685-1 | 3 | R47/27/15A-D |
| F102-7 | | 388339J | Lock metal | 固定具 | 4PA11782-1 | 2 | M4×8 |
| F102-8 | | 2095600 | Cable tie mount adhesive back | 固定具粘着テープ付 | 4P298131-1 | 1 | ABM2S-A |
| F102-9 | | 0944535 | Clamp | 樹脂製止め金 | NE41015-8 | 2 | NK-14N |
| F103 | | | Heat sink ass'y(ACL wiring ass'y) | ヒートシンク組立品(ACL組立品) | 3P303142-1 | 1 | |
| F103-1 | | 2095617 | Heat sink for ACL | ヒートシンク (ACL) | 4P292177-1 | 1 | |
| F103-2 | | 2075459 | Reactor(ACL) | リアクタ (ACL) | 3P270854-1 | 6 | |
| F103-3 | | 2095624 | ACL gasket | ACL用ガスケット | 4P290631-1 | 1 | |
| F104 | | 2153234 | Inverter BOARD ass'y (with the seal washer) | インバータ基板組立品(シール座金付属) | 3P331249-1 | 1 | |
| F104-1 | | 2086149 | Heat sink ass'y(Inverter Board ass'y) | ヒートシンク組立品(INVボード組立品) | 3P286639-1 | 1 | |
| F104-2 | | 0907062 | Seal washer | シールワッシャ | 4PA21941-5 | 22 | |
| F105 | | 2095631 | Wire harness(INV)ass'y | ワイヤハーネス (INV) 組立品 | 3P301782-1 | 1 | |
| F106 | | 2153227 | INV BOX cover(with the seal washer) | INV BOX蓋(シール座金付属) | 4P331208-1 | 1 | |
| F106-1 | | 2095648 | Heat sink for Inverter BOX cover | ヒートシンク(インバータボックス蓋) | 4P300741-1 | 1 | |
| F106-2 | | 2095655 | Cover gasket | カバー用ガスケット | 4P290633-1 | 1 | |
| F106-3 | | 0907062 | Seal washer | シールワッシャ | 4PA21941-5 | 10 | |
| F107 | | | Reactor-fan mounting plate | リアクタ・ファン取付板 | 3P292941-1 | 1 | |
| F107-1 | | 2095662 | Mounting plate, control devices | 電装品取付板 | 3P290441-1 | 1 | |
| F107-2 | | 2075466 | Reactor(DCL) | リアクタ (DCL) | 3P270855-1 | 1 | |
| F107-3 | | 2075428 | DC fan motor | DCファンモータ(インバータ冷却用) | 3P290242-1 | 1 | |
| F108 | | 2095679 | Wire harness(comp.)ass'y | ワイヤハーネス (圧縮機) 組立品 | 3P301355-1 | 1 | |
| F109 | | 2031550 | Ferrite, core filter | フェライトコアフィルタ | 3P263839-1 | 1 | |
| F110 | | 2095686 | INV_BOX bottom plate insulation | INV_BOX底板絶縁シート | 4P305256-1 | 1 | |
| F111 | | | El.comp.ass'y(INV BOX ass'y) | 電装品組立品(INV BOX組立品) | 2P286630-2 | 1 | Refer to P.4 |
| | | | | | | | |
| | | | | | | | |
| | | | | | | | |
| | | | | | | | |
| | | | | | | | |
| | | | | | | | |
| | | | | | | | |
| | | | | | | | |
| | | | | | | | |
| | | | | | | | |



1. Resin clamp

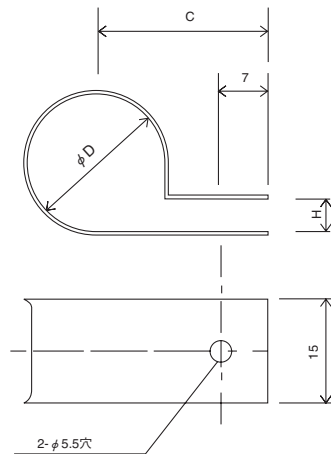
1. 樹脂バンド



| NO. 符号 | PARTS NO. 部品番号 | PARTS NAME | 部品名称 | DWG NO. 図面番号 | SIZE サイズ | | | QTY 使用個数 |
|-----------|-------------------|-------------|--------|-----------------|----------|------|-----|-------------|
| | | | | | D | C | H | |
| E10 | 122276J | Resin clamp | 樹脂製止め金 | NE41015-9 | 26.9 | 27.8 | 7.9 | 2 |
| E11 | 0944528 | Resin clamp | 樹脂製止め金 | NE41015-7 | 19.8 | 24.6 | 7.9 | 2 |
| E13 | 1266788 | Resin clamp | 樹脂バンド | NE41015-12 | 39.4 | 34.2 | 9.5 | 7 |
| E20 | 380043 | Resin clamp | 樹脂バンド | NE41015-5 | 13.2 | 19.1 | 6.4 | 1 |
| F90 | 1266788 | Resin clamp | 樹脂バンド | NE41015-12 | 39.4 | 34.2 | 9.5 | 2 |
| F102-9 | 0944535 | Clamp | 樹脂製止め金 | NE41015-8 | 22.9 | 26.2 | 7.9 | 2 |

2. Tube clamp

2. 管止金



| NO. 符号 | PARTS NO. 部品番号 | PARTS NAME | 部品名称 | DWG NO. 図面番号 | SIZE サイズ | | | QTY 使用個数 |
|-----------|-------------------|--------------------------|---------------|-----------------|----------|----|---|-------------|
| | | | | | D | C | H | |
| E16 | 2094948 | Tube clamp | 管止金 | 3P289146-51 | 10 | 20 | 3 | 5 |
| E17 | 1584208 | Nylon coating tube clamp | ナイロンコーティング管止金 | 4P143802-52 | 12 | 21 | 3 | 5 |
| E19 | 1266810 | Tube clamp | 管止金 | NE31016-57 | 22 | 26 | 5 | 1 |
| E26 | 1584215 | Nylon coating tube clamp | ナイロンコーティング管止金 | 4P143802-51 | 10 | 20 | 3 | 4 |
| E53 | 2095073 | Tube clamp | 管止金 | 3P289146-64 | 36 | 33 | 5 | 1 |
| B1-2 | 1592425 | Tube clamp | 管止金 | NE31016-58 | 24 | 27 | 5 | 2 |
| B1-3 | 0414421 | Tube clamp | 管止金 | NE31016-53 | 14 | 22 | 3 | 1 |

1. Parts recommended to be ordered together with packing, gasket, sealing material and name plate
1. 発注の際にパッキングやシール材、銘板等の同時発注を推奨する部品

For ordering following spare parts, we recommend that you order the following packing, gasket, sealing material and name plate together at the same time.

上記のサービス扉やボックスカバーを発注の際には、下記のパッキングを同時に発注することをおすすめします。

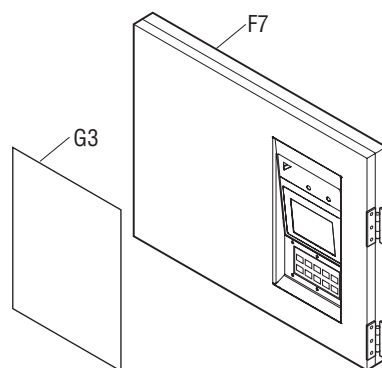
(1) Control box cover

(1) コントロールボックスカバー

| NO. 符号 | PARTS NO. 部品番号 | PARTS NAME | 部品名称 | DWG NO. 図面番号 | QTY 使用個数 |
|-----------|-------------------|-----------------------|--------------------|-----------------|-------------|
| F7 | 2086079 | C.BOX cover ass'y | コントロールボックス蓋組立品 | 2P290915-1 | 1 |
| G3 | 2095701 | Name plate, operation | 操作銘板 (C & MODE, 英) | 1P262552-1 | 1 |

※Rubber gasket, sheet key is attached to control box cover ass'y.

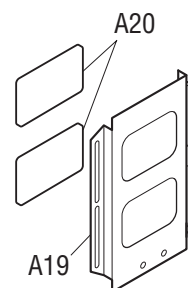
※ゴムガスケットとシートキーはコントロールボックス組立品に付属しています。



(2) Ventilation cover

(2) 換気口蓋

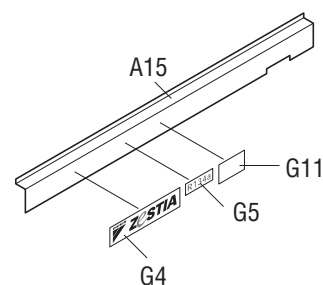
| NO. 符号 | PARTS NO. 部品番号 | PARTS NAME | 部品名称 | DWG NO. 図面番号 | QTY 使用個数 |
|-----------|-------------------|------------------------------|-----------------------|-----------------|-------------|
| A19 | 2094025 | Cover (ventilation_cover) | カバー (換気口カバー電解研磨仕様) | 4P258643-1 | 1 |
| A20 | 2094032 | Sealing material | シール材 (換気口) | 4P249140-1 | 2 |



(3) Front plate (CA)

(3) 前板 (CA)

| NO. 符号 | PARTS NO. 部品番号 | PARTS NAME | 部品名称 | DWG NO. 図面番号 | QTY 使用個数 |
|-----------|-------------------|-------------------------|----------------------|-----------------|-------------|
| A15 | 2093990 | Front plate(CA) | CA前板 (鋁金) (標準) | 2P291259-1 | 1 |
| G4 | 2095718 | Zestia label | 意匠銘板 Z e S T I A | 3P304726-1 | 1 |
| G5 | 2095725 | Refrigerant label | 冷媒銘板 | 4P302879-1 | 1 |
| G11 | 2095749 | Operation name plate | 注意銘板 (サービス上ノ注意銘板) | 3P263136-1 | 1 |



2. Order for motorized valve, solenoid valve and pressure regulating valve

2. 電動弁・電磁弁・圧力調整弁の発注

Refer to the following table for the name, main body, solenoid coil and ass'y of solenoid valves etc. applied to this model.

この機種に使用されている電磁弁等の名称と本体・コイル・組立品は下記のとおりです。

| | Body/Coil 本体/コイル | NO. 符号 | PARTS NO. 部品番号 | PARTS NAME | 部品名称 | DWG NO. 図面番号 | Common Parts 共通部品 | | |
|-------|---------------------|-----------|-------------------|--|-------------------|-----------------|----------------------|---------------|--------------|
| | | | | | | | VPV-803DQ62 | NEV-MOAB507C1 | HCM-HD12DM-4 |
| 1.DVM | 本体 Body | B10-1-1 | 2085999 | Motor operated valve body (DMV) | DMV 電動弁本体 | 3SA50098-1 | | | |
| | コイル Coil | B10-1-2 | 2089294 | Motor operated valve coil | 電動弁コイル (補用) | 4P305202-1 | | | ○ |
| 2.EEV | 本体 Body | B30-1 | 2075473 | Electronic exp. valve body (EEV) | E E V 電動弁本体 | 3SA50103-1 | | | |
| | コイル Coil | B30-2 | 2089294 | Electronic exp. valve coil | 電動弁コイル (補用) | 4P305202-1 | | | ○ |
| 3.EMV | 本体 Body | B31-1 | 2075480 | Motor operated valve body (EMV) | E M V 電動弁本体 | 3SA50102-1 | | | |
| | コイル Coil | B31-2 | 2089294 | Motor operated valve coil | 電動弁コイル (補用) | 4P305202-1 | | | ○ |
| 4.HSV | 本体 Body | B10-2 | 1787247 | Hot gas solenoid valve body | ホットガス電磁弁本体 | 3P198486-1 | ○ | | |
| | コイル Coil | B10-4 | 1266290 | Hot gas solenoid valve coil | ホットガス電磁弁コイル | 3P010453-2 | | ○ | |
| 5.RSV | 本体 Body | B10-2 | 1787247 | Reheat coil bypass solenoid valve body | レヒートコイルバイパス電磁弁本体 | 3P198486-1 | ○ | | |
| | コイル Coil | B10-4 | 1266290 | Reheat coil bypass solenoid valve coil | レヒートコイルバイパス電磁弁コイル | 3P010453-2 | | ○ | |
| 6.ESV | 本体 Body | B9-3 | 1787247 | Economizer solenoid valve body | エコノマイザー電磁弁本体 | 3P198486-1 | ○ | | |
| | コイル Coil | B9-4 | 1266290 | Economizer solenoid valve coil | エコノマイザー電磁弁コイル | 3P010453-2 | | ○ | |
| 7.LSV | 本体 Body | B9-3 | 1787247 | Liquid solenoid valve body | 液電磁弁本体 | 3P198486-1 | ○ | | |
| | コイル Coil | B9-4 | 1266290 | Liquid solenoid valve coil | 液電磁弁コイル | 3P010453-2 | | ○ | |

3. Order for temperature sensor

3. 温度センサーの発注

Refer to the following table for temperature sensors applied to this model.

この機種に使用されている温度センサーは下記の通りです。

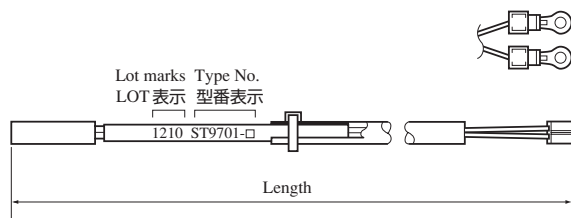


Fig. A: ST9701

図A : ST9701

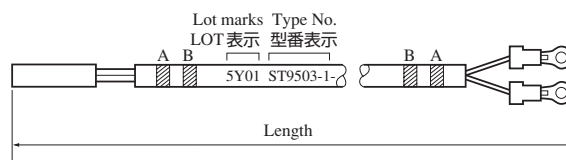


Fig. B: ST9503

図B : ST9503

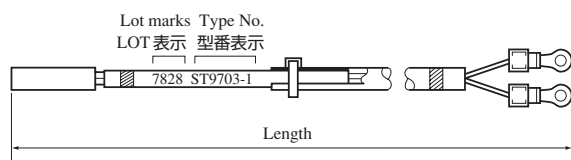


Fig. C: ST9703

図C : ST9703

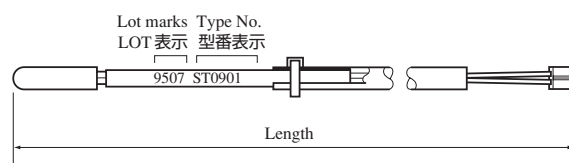


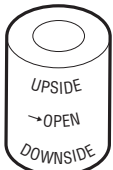
Fig. D: ST0901

図D : ST0901

| NO. 符号 | PARTS NO. 部品番号 | 呼称 | PARTS NAME | 部品名称 | DWG. NO. 図番 | 上図 | TYPE 形式 | WIRE COLOR 配線色 | | LENGTH 全長mm | TEMPORALY EXCHANGABILITY 緊急時互換性 |
|-----------|----------------------|---------|--|--------------------|----------------|----|------------|-------------------|------------|----------------|---------------------------------------|
| | | | | | | | | A | B | | |
| B14 | 098332J | DCHS | Discharge pipe temp. sensor | 吐出管温度センサー | 3SA48009-10 | A | ST9701-10 | - | - | 2910 | |
| B15 | 098333J | SGS | Compressor suction gas temp. sensor | 圧縮機吸入ガス温度センサー | 3PA61769-9 | B | ST9503-9 | White 白 | - - | 2900 | ○ |
| B21 | 2094359 | DCHS2 | Discharge pipe temp. sensor (compressor) | 吐出配管出口温度センサー (圧縮機) | 3P301506-1-KU | D | ST0901 | - | - | 2610 | |
| B22 | 079828J | ECOIN | For air in take temperature | 吸込空気温度用 | 3PA61769-2 | B | ST9503-2 | Blue 青 | Blue 青 | 2900 | ○ |
| B23 | 0798307 | ECO OUT | For blow air temperature | 吹出空気温度用 | 3PA61769-4 | B | ST9503-4 | Green 緑 | Green 緑 | 2900 | ○ |
| B24 | 079832J | AMBS | Ambient air temp. sensor | 外気温度センサー | 3PA61769-6 | B | ST9503-6 | - - | - - | 2600 | ○ |
| C24 | 1713330 | SS | Supply air temp. sensor | 吹出空気温度センサー | 3PA61769-16 | B | ST9503-16 | green 緑 | - - | 3100 | ○ |
| C25 | 1713347 | DDS | Data recorder supply air temp. sensor | データレコーダ吹出空気温度センサー | 3PA61769-17 | B | ST9503-17 | green 緑 | Red 赤 | 3100 | ○ |
| C26 | 1713354 | RS | Return air temp. sensor | 吸込空気温度センサー | 3PA61769-18 | B | ST9503-18 | Blue 青 | - - | 2900 | ○ |
| C27 | 1713361 | DRS | Data recorder return air temp. sensor | データレコーダ吸込空気温度センサー | 3PA61769-19 | B | ST9503-19 | Blue 青 | Red 赤 | 3100 | ○ |
| D4 | 156282J | EIS | Evaporator inlet temp. sensor | 蒸発器入口温度センサー | 3P012118-2 | C | ST9703-2 | Brown 茶 | - - | 2500 | |
| D5 | 156283J | EOS | Evaporator outlet temp. sensor | 蒸発器出口温度センサー | 3PA61769-15 | B | ST9503-15 | Yellow 黄 | - - | 2600 | ○ |

1. Tools for emergency operation

1. 緊急運転用工具

| NO. 符号 | PARTS NO. 部品番号 | PARTS NAME | 部品名称 | DWG NO. 図面番号 | USE 用途 | ILLUSTRATION 姿図 |
|-----------|-------------------|------------------|-------------------|-----------------|--|---|
| - | 1896110 | Emergency magnet | エマージェンシー マグネット | 2P217391-2 | For electronic expansion valve 電子膨張弁用 Suction modulating valve 吸入比例弁用 |  |

(See Service Manual for application.)

(使用方法はサービスガイドを参照ください。)

2. Personal computer cable (for DCCS)

2. パソコンケーブル（DCCS用）

The following parts are connector cables required to exchange information between the refrigeration unit and personal computer. The table below describes parts required to apply to Model LX10F10A or later.

下記の部品は冷凍ユニットとパソコンの情報交換に必要なコネクタ、ケーブル類です。LX10F10A以降型対応に必要な部品を掲載しています。

| | | |
|--|---|--|
| LX10F10A or later (Receptacle) Water proof type on the unit | LX10F10A以降 (レセプタクル) コンテナ冷凍機 ユニットの防水型 | |
|--|---|--|

(1) Parts No.

(1) 部品番号

| NO. 符号 | PARTS NO. 部品番号 | PARTS NAME | 部品名称 | REMARKS 備考 |
|-----------|-------------------|---------------------------|-------------|---------------|
| ① | 1384509 | Connection cable (5 Pins) | 接続ケーブル（5ピン） | |
| ② | 1087149 | Connection cable (3 Pins) | 接続ケーブル（3ピン） | |

| NO. 符号 | Illustration 姿図 | Internal Wiring 内部配線 | | | | | | | | | | | | | | | | | | | | | | | | | | | |
|-----------|--------------------|---|---|-------|---|---|--|---|---|---------|---|---|--|---|---|---------|---|--|--|---|--|--|---|--|--|---|--|--|---------------|
| ① | | Daikin made ダイキン製 RS232C Female メス <table border="1" style="display: inline-table; vertical-align: middle;"> <tr><td>A</td><td>Red 赤</td><td>1</td></tr> <tr><td>B</td><td></td><td>2</td></tr> <tr><td>C</td><td>White 白</td><td>3</td></tr> <tr><td>D</td><td></td><td>4</td></tr> <tr><td>E</td><td>Black 黒</td><td>5</td></tr> <tr><td></td><td></td><td>6</td></tr> <tr><td></td><td></td><td>7</td></tr> <tr><td></td><td></td><td>8</td></tr> <tr><td></td><td></td><td>Frame フレーム</td></tr> </table> | A | Red 赤 | 1 | B | | 2 | C | White 白 | 3 | D | | 4 | E | Black 黒 | 5 | | | 6 | | | 7 | | | 8 | | | Frame フレーム |
| A | Red 赤 | 1 | | | | | | | | | | | | | | | | | | | | | | | | | | | |
| B | | 2 | | | | | | | | | | | | | | | | | | | | | | | | | | | |
| C | White 白 | 3 | | | | | | | | | | | | | | | | | | | | | | | | | | | |
| D | | 4 | | | | | | | | | | | | | | | | | | | | | | | | | | | |
| E | Black 黒 | 5 | | | | | | | | | | | | | | | | | | | | | | | | | | | |
| | | 6 | | | | | | | | | | | | | | | | | | | | | | | | | | | |
| | | 7 | | | | | | | | | | | | | | | | | | | | | | | | | | | |
| | | 8 | | | | | | | | | | | | | | | | | | | | | | | | | | | |
| | | Frame フレーム | | | | | | | | | | | | | | | | | | | | | | | | | | | |
| ② | | Daikin made ダイキン製 RS232C Female メス <table border="1" style="display: inline-table; vertical-align: middle;"> <tr><td>A</td><td>Red 赤</td><td>1</td></tr> <tr><td>B</td><td></td><td>2</td></tr> <tr><td>C</td><td>White 白</td><td>3</td></tr> <tr><td></td><td></td><td>4</td></tr> <tr><td></td><td>Black 黒</td><td>5</td></tr> <tr><td></td><td></td><td>6</td></tr> <tr><td></td><td></td><td>7</td></tr> <tr><td></td><td></td><td>8</td></tr> <tr><td></td><td></td><td>Frame フレーム</td></tr> </table> | A | Red 赤 | 1 | B | | 2 | C | White 白 | 3 | | | 4 | | Black 黒 | 5 | | | 6 | | | 7 | | | 8 | | | Frame フレーム |
| A | Red 赤 | 1 | | | | | | | | | | | | | | | | | | | | | | | | | | | |
| B | | 2 | | | | | | | | | | | | | | | | | | | | | | | | | | | |
| C | White 白 | 3 | | | | | | | | | | | | | | | | | | | | | | | | | | | |
| | | 4 | | | | | | | | | | | | | | | | | | | | | | | | | | | |
| | Black 黒 | 5 | | | | | | | | | | | | | | | | | | | | | | | | | | | |
| | | 6 | | | | | | | | | | | | | | | | | | | | | | | | | | | |
| | | 7 | | | | | | | | | | | | | | | | | | | | | | | | | | | |
| | | 8 | | | | | | | | | | | | | | | | | | | | | | | | | | | |
| | | Frame フレーム | | | | | | | | | | | | | | | | | | | | | | | | | | | |

MEMO

MEMO

MEMO

| | | |
|----------|----------------------|------------|
| Revise A | Review of parts list | 2012.10.31 |
| 改正A | パーツリスト見直し | 2012.10.31 |

<<REGIONAL PARTS CENTERS>>

Japan

DAIKIN INDUSTRIES,LTD. JAPAN PARTS CENTER

1-5-73 Hokko-Shiratsu, Konohana-ku, Osaka City, Osaka 554-0041
TEL: 81-6-6465-4182, FAX: 81-6-6465-4185

Asia

DAIKIN ASIA SERVICING PTE.LTD.

9 Tampines Grande #03-11, Singapore 528735
TEL: 65-6546-8678, FAX: 65-6546-9727

Europe

DAIKIN EUROPE N.V.

Zandvoordestraat 300, B-8400 Oostende, Belgium
TEL: 32-59-558360 , FAX: 32-59-558361

U.S.A.

DAIKIN AC (AMERICAS), INC.

17570 Cartwright Road Irvine, CA. 92614, U.S.A.
TEL: 1-949-732-5011, FAX: 1-949-732-5032

<<SATELLITE PARTS CENTERS>>

EUROPE (LA SPEZIA, ITALY)

CONTREPAIR SRL.

Via Di Bolano, La. Spezia, Italy
TEL: 39-0187-630-319, FAX: 39-0187-630445

NORTH AMERICA (VANCOUVER, CANADA)

HIWAY REFRIGERATION LTD.

1462 Mustang Place, Port Coquitlam, BC V3C 6L2, Canada
TEL: 1-604-944-0119, FAX: 1-604-944-7521

LATIN AMERICA (BALBOA, PANAMA)

GLOBAL PARTS SUPPLY, INC.

Calle Francisco Filos, Edificio #7, Local #1, Vista Hermosa, Panama City, Panama.
TEL: 507-261-8986, FAX:507-261-8986

LATIN AMERICA (VALPARAISO, CHILE)

DEPOSITOS Y CONTENEDORES S.A.

Av. Bernardo O'higgins 388 Placilla Oriente, Valparaiso, Chile
TEL: 56-32-251-3300

LATIN AMERICA (MONTEVIDEO, URUGUAY)

DAIKIN AC (AMERICAS), INC.

Zonamérica Local 704 Cno. Maldonado km 17.500 91600 Montevideo, Uruguay
TEL:1-949-732-5001, FAX:1-949-732-5032

AUSTRALIA (MELBOURNE, AUSTRALIA)

IRS INTERNATIONAL PTY.LTD.(MELBOURNE OFFICE)

30 Burgess Street, Brooklyn, Victoria 3012, Australia
TEL:61-3-9314-0577, FAX:61-3-9314-5562

NEW ZEALAND (AUCKLAND, NEW ZEALAND)

IRS INTERNATIONAL PTY.LTD.(AUCKLAND OFFICE)

UNITC, 1016 St. South Road, Penrose, Auckland, New Zealand
TEL:64-9-579-5905, FAX:64-9-634-3807

SOUTH AFRICA (CAPE TOWN, SOUTH AFRICA)

SACD FREIGHT

Port Industrial Site, Off Nereide Street, Paarden Eiland, Cape Town 7405
PO Box 562, Paarden Eiland 7420, South Africa
TEL: 27-21-812-7223, FAX: 27-21-532-8824

SINGAPORE

EASTERN (1961) CO. PTE. LTD.

20 Tagore Lane Singapore 787478
TEL: 65-6452-1950, FAX: 65-6459-1790

HONG KONG

MING FUNG REEFER CONTAINER SERVICE CO. LTD.

Rm.12, 5/FI., Golden Industrial Bldg., 16-26 Kwai Tak Street,
Kwai Chung, N.T., Hong Kong
TEL: 852-2418-2882, FAX: 852-2481-0208

DAIKIN INDUSTRIES, LTD.

Head Office: Umeda Center Bldg., 4-12, Nakazaki-Nishi 2-chome, Kita-ku Osaka, 530-8323 Japan

Tokyo Office: JR Shinagawa East Bldg., 10F 18-1, Konan 2-chome, Minato-ku Tokyo, 108-0075 Japan.